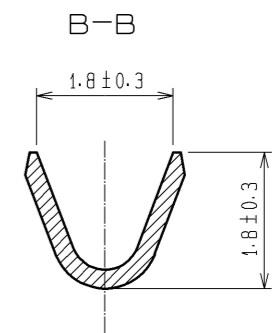
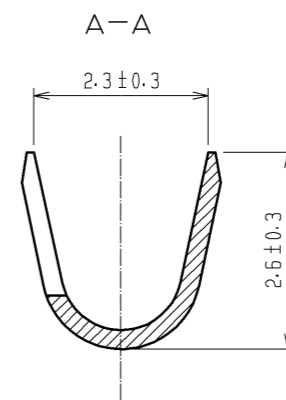
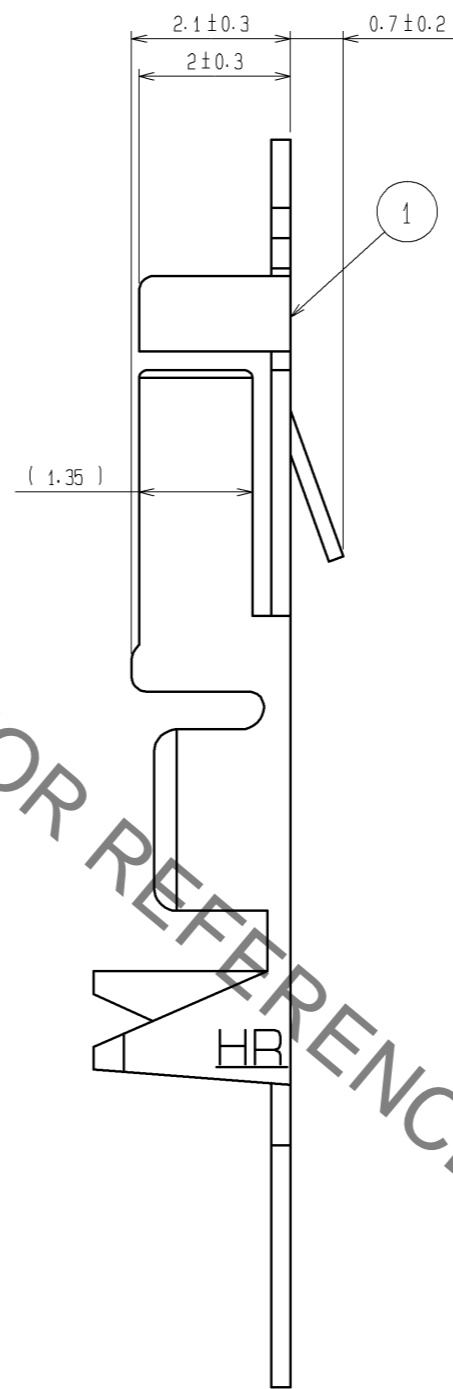
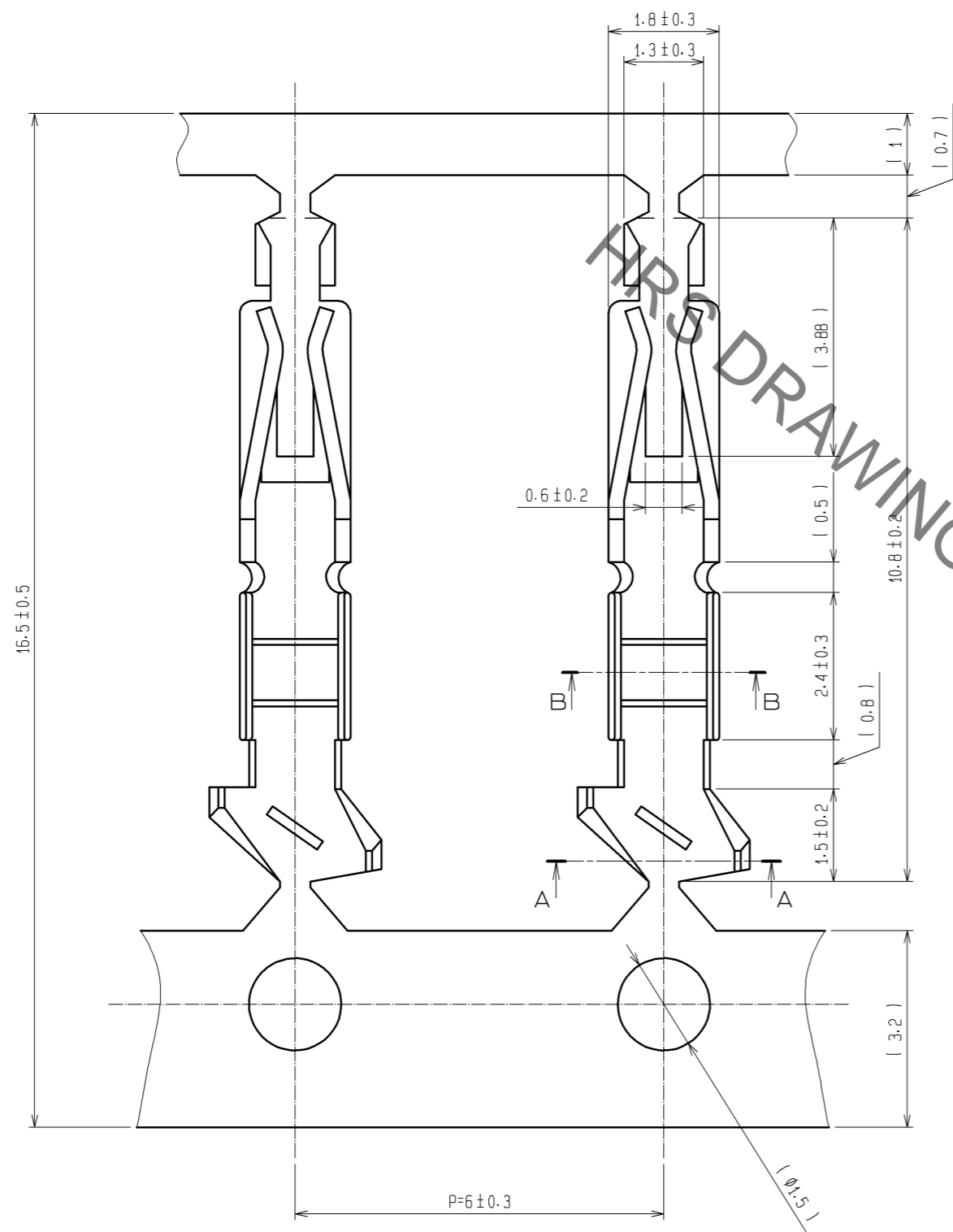


Apr.1.2019 Copyright 2019 HIROSE ELECTRIC CO., LTD. All Rights Reserved.
 In case of consideration for using Automotive equipment / device which demand high reliability, kindly contact our sales window correspondents.



NOTE1. 1 REEL IS CONSISTS OF 10000 CONTACTS.

NO.	MATERIAL	FINISH . REMARKS	NO.	MATERIAL	FINISH . REMARKS
			1	PHOSPHOR BRONZE	TIN PLATED 2μm min
UNITS mm		SCALE 10 : 1	COUNT 	DESCRIPTION OF REVISIONS	DESIGNED
HRS	HIROSE ELECTRIC CO., LTD.	APPROVED : TS. SAKATA	07. 10. 09	DRAWING NO.	EDC3-007982-03
		CHECED : HK. UMEHARA	07. 10. 05	PART NO.	HNC-2.5S-C-A(15)
		DESIGNED : KT. ISHII	07. 10. 04	CODE NO.	CL218-0021-5-15
		DRAWN : KT. ISHII	07. 10. 04		1/1