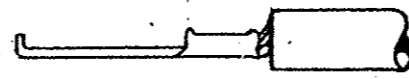
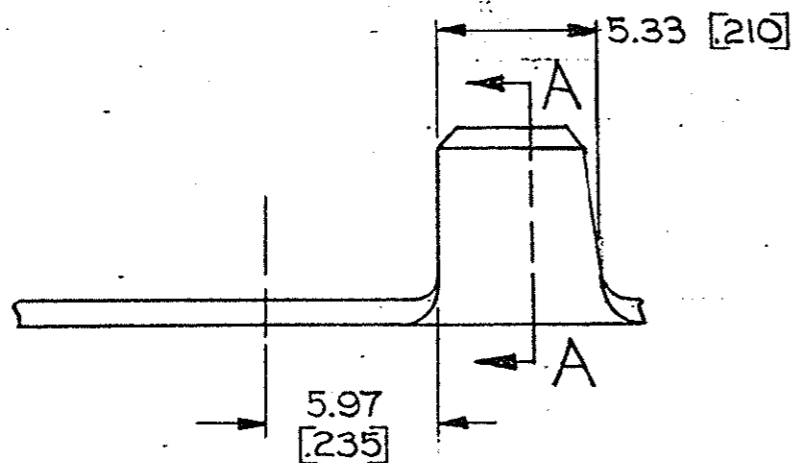
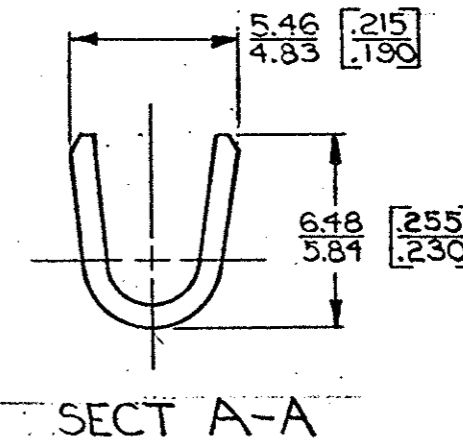
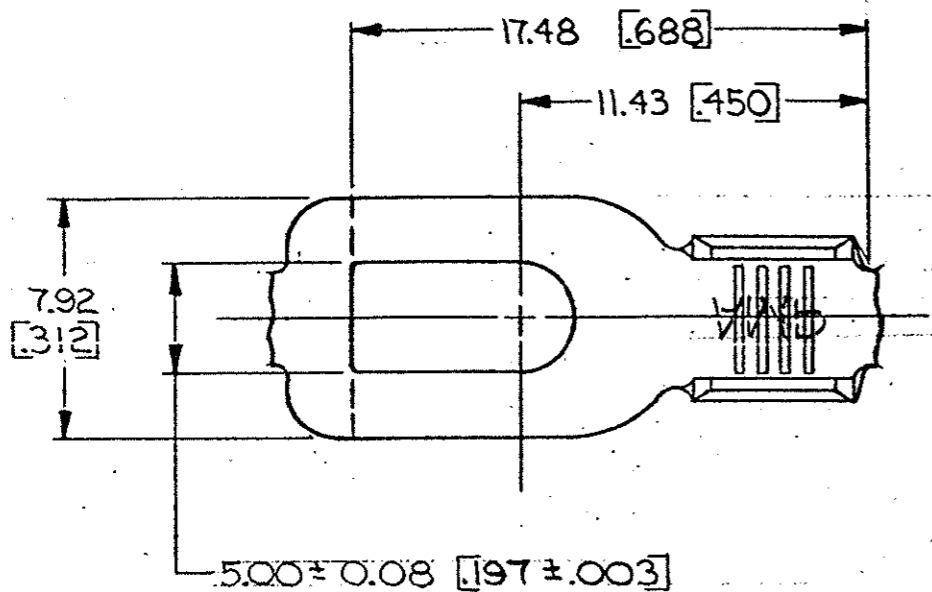


© COPYRIGHT 1968 BY AMP INCORPORATED, HARRISBURG, PA. ALL INTERNATIONAL RIGHTS RESERVED. AMP INCORPORATED PRODUCTS COVERED BY U. S. AND FOREIGN PATENTS AND/OR PATENTS PENDING.



FLANGED IN APPLICATOR

REVISIONS					
P/F	ZONE	LTR	DESCRIPTION	DATE	APPROVED
✓		A	REDRAWN & REVISED A-39431.M.	1/5/78	
✓		B	REVISED AF0169	8/15/84	SR/GY
✓		C	REV PER AF-6785	7/9/90	PMF/GY
✓		D	REV PER OL10-0090-97	20/28/97	PMF/GY
		DI	REVISED NOTE 1 PER ECR-06-007593	3/4/06	MF/DFD



⚠ SUFFIX LETTER MUST BE USED ONLY WHEN ORDERING APPLICATOR TOOLING WITH FLANGING OPTION.
 2. CONTINUOUS STRIP ON REELS.
 3. DIMENSIONS IN BRACKETS ARE IN INCHES

METRIC

#10	3.0-5.0 mm ² [2-10]	TIN	0.76 [030] BRASS	⚠ 41495-A 41495
STUD SIZE	WIRE RANGE	FINISH	MATERIAL	PART NO
UNLESS OTHERWISE SPECIFIED DIMENSIONS ARE IN INCHES mm TOLERANCES ON: DECIMALS ±0.38 [015] ANGLES ±1°	CONTRACT NO		AMP INCORPORATED Harrisburg, Pa.	
MATERIAL SEE TABLE	DR <i>A. J. J. 5/1/78</i>		NAME SPADE	
FINISH SEE TABLE	CHK <i>G. Yetter 7/25/78</i>		DRAWING NO 41495	
	APPD <i>R. P. Franz 8-10-78</i>		SIZE B	CODE IDENT NO 00779
	APPD <i>E. Zlicks 8-10-78</i>		SCALE	SHEET
	DSGN APPD		OTHER APPD	

Mouser Electronics

Authorized Distributor

Click to View Pricing, Inventory, Delivery & Lifecycle Information:

[TE Connectivity:](#)

[41495 \(MOUSER REEL\)](#) [41495 \(CUT STRIP\)](#)