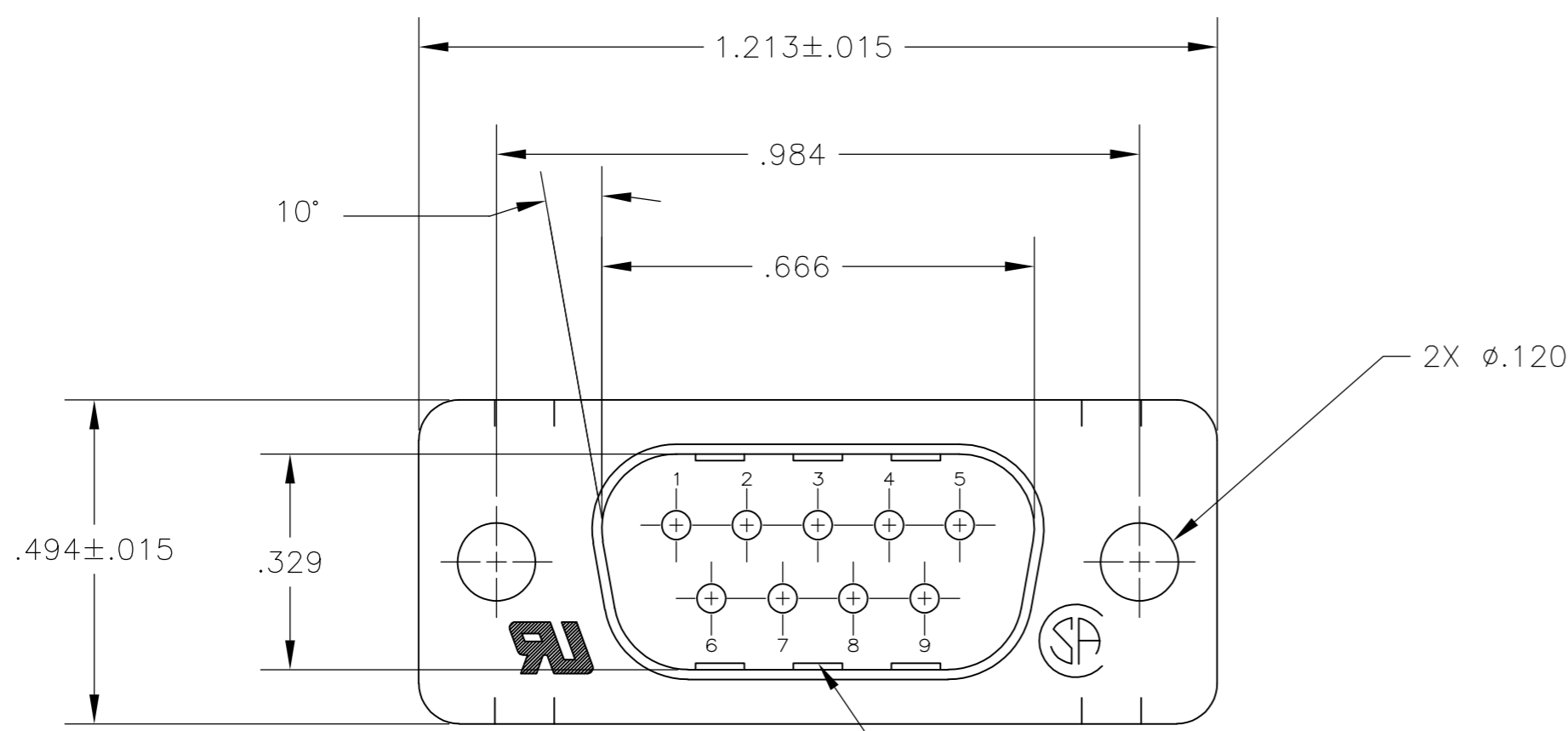
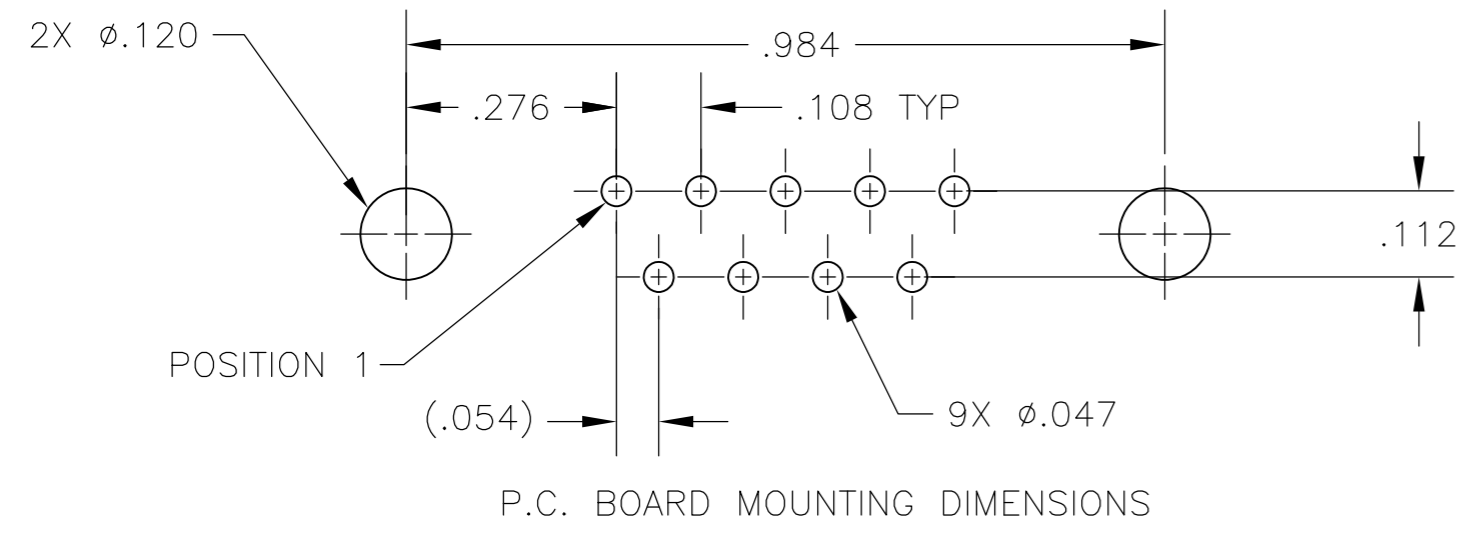
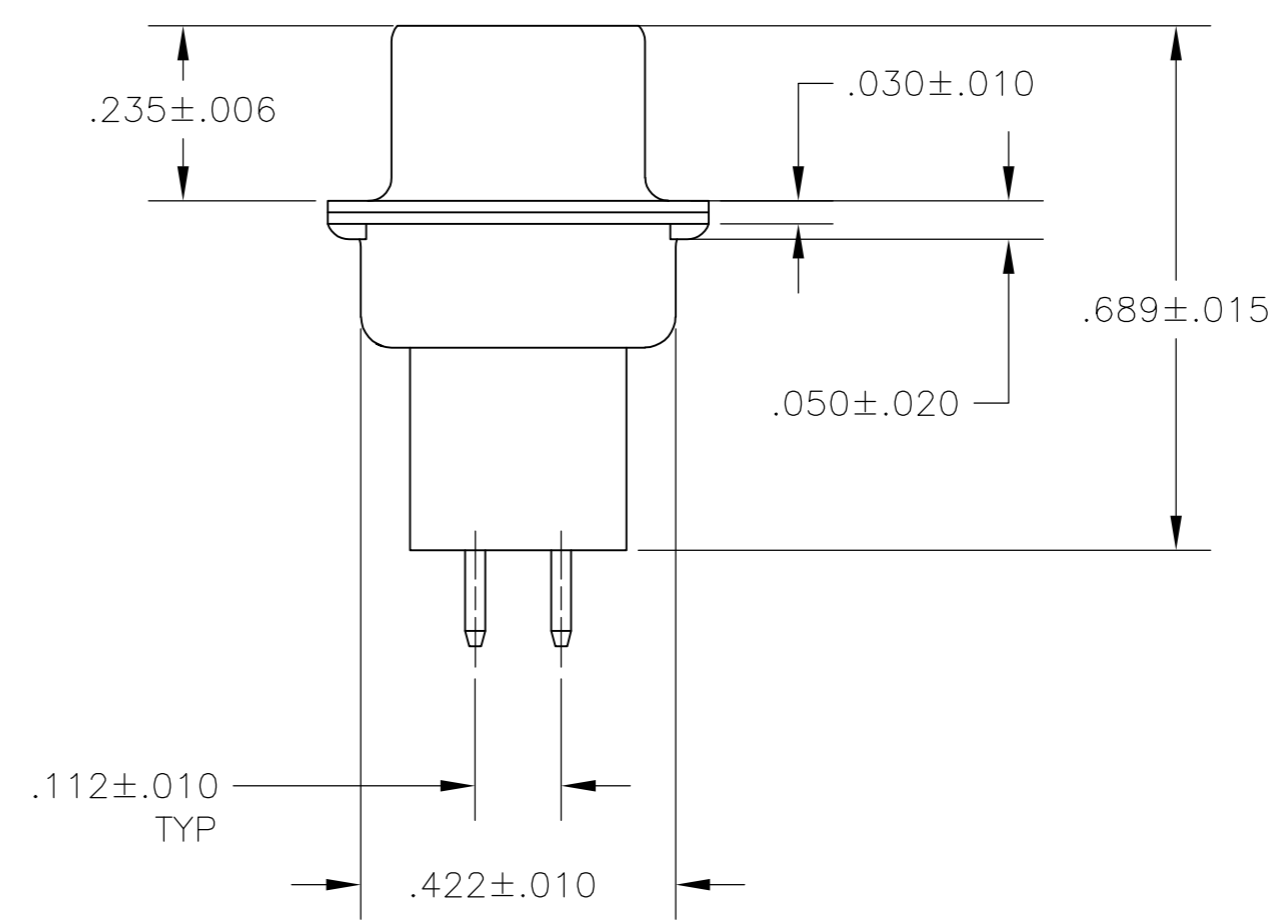
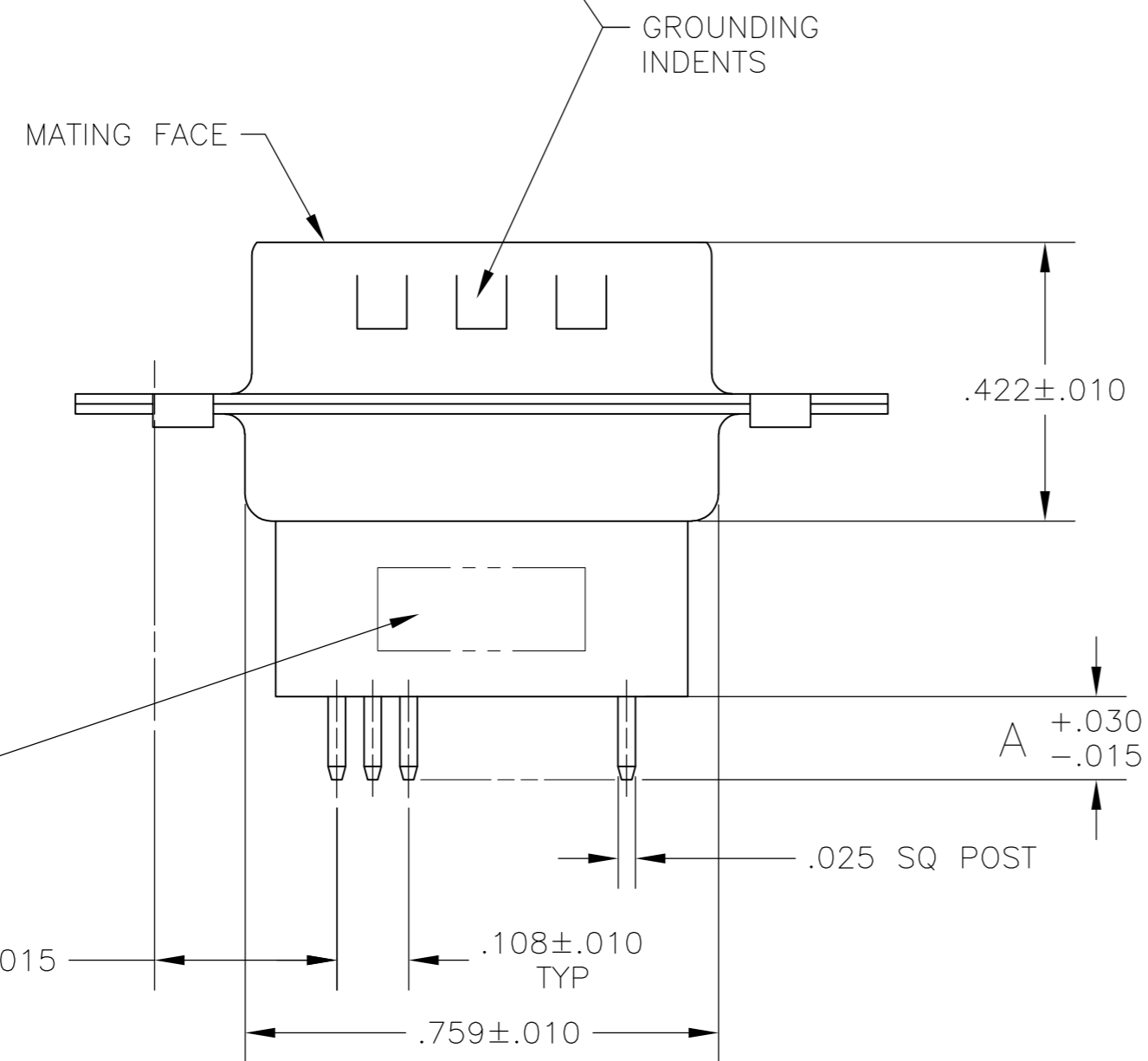


THIS DRAWING IS UNPUBLISHED. RELEASED FOR PUBLICATION
 © COPYRIGHT 2005 By - ALL RIGHTS RESERVED.

Loc		DIST		REVISIONS			
P	LTR	DESCRIPTION		DATE	DWN	APVD	
GP	00	D	REVISED PER ECO-14-011808	11AUG2014	AP	SB	



- 1 MOLDED PARTS: GLASS-FILLED PBT OR GLASS-FILLED NYLON, UL94V-0 RATED. COLOR: BLACK.
SHELLS: CARBON STEEL
CONTACTS: BRASS
- 2 SHELLS: .000200 MIN TIN OVER .000100 MIN COPPER.
CONTACTS: GOLD PLATING FOR A LENGTH OF .150 MIN FROM MATING END, .000030 MIN GOLD IN MATED AREA, .000100 MIN TIN ON SOLDER END, BOTH OVER .000050 MIN NICKEL.
-OR-
GOLD FLASH OVER PALLADIUM-NICKEL PLATED FOR A LENGTH OF .150 MIN FROM MATING END, .000030 MIN TOTAL IN MATED AREA, .000100 MIN TIN ON SOLDER END, BOTH OVER .000050 MIN NICKEL.



.188	5745410-7
.125	5745410-1
A	PART NO

THIS DRAWING IS A CONTROLLED DOCUMENT.		DWN	15SEPT05		TE Connectivity
DIMENSIONS: INCHES		CHK	15SEPT05		
TOLERANCES UNLESS OTHERWISE SPECIFIED:		APVD	15SEPT05		
0 PLC ± - 1 PLC ± - 2 PLC ± - 3 PLC ± .005 4 PLC ± - ANGLES ± - FINISH ± -		NAME	M. WALMSLEY		
MATERIAL		PRODUCT SPEC	108-40025	PLUG ASSEMBLY, SIZE 1, 9 POSN, VERTICAL, .025 SQ. POSTS, GROUNDING INDENTS, AMPLIMITE HDP	
1		APPLICATION SPEC	114-40013	SIZE	A2
2		WEIGHT	-	CAGE CODE	00779
CUSTOMER DRAWING		SCALE	NTS	DRAWING NO	C=5745410
		SHEET	1 of 1	RESTRICTED TO	-
		REV	D		

Mouser Electronics

Authorized Distributor

Click to View Pricing, Inventory, Delivery & Lifecycle Information:

[TE Connectivity:](#)

[5745410-7](#)