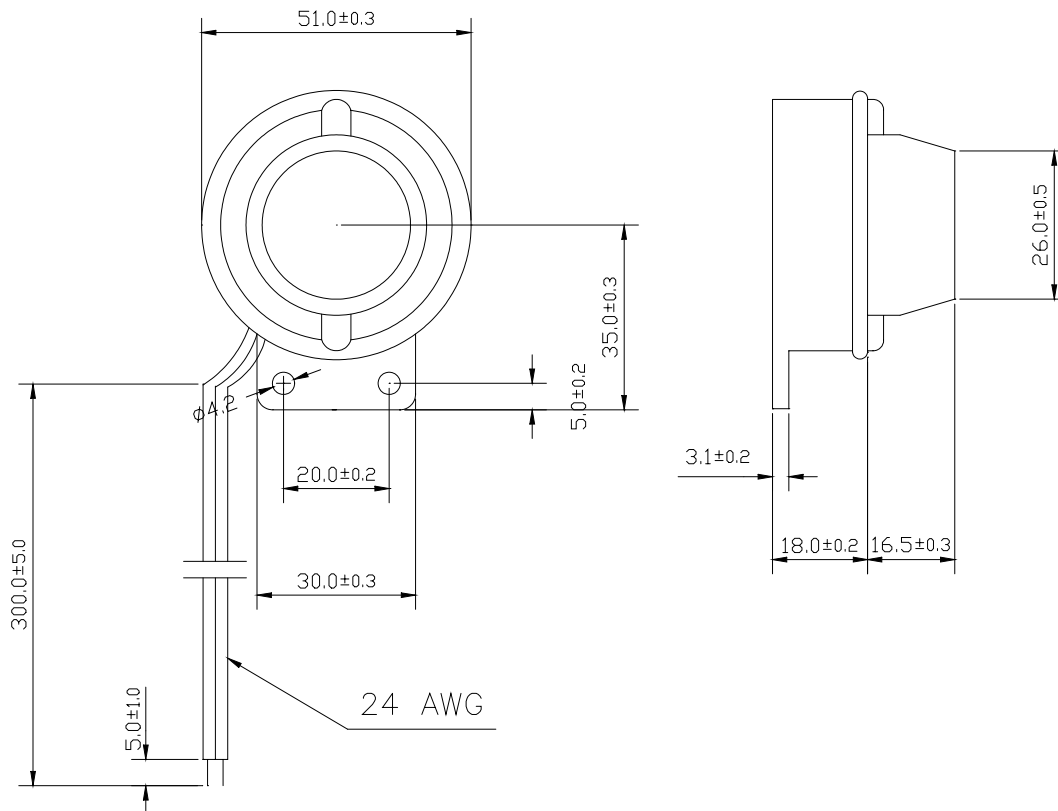


**Specifications:** OBSOLETE- USE PS-983Q

Resonant Frequency (Hz)	1500 ~ 3500
Operating Voltage (Vdc)	5 ~ 15
Rated Voltage (Vdc)	12
Current Consumption Max. (mA)	150 at Rated Voltage
Sound Pressure Level Min. (dB)	105 at 100cm at Rated Voltage
Tone/Pulse Rate (Hz)	Sweep 3.3 ±20%
Operating Temperature (°C)	-20 ~ +60
Storage Temperature (°C)	-30 ~ +80
Housing	ABS 707 UL94HB plastic resin (Color: Black)
Leading Wire	20 AWG
Weight (Grams)	28.1
Options	For other options contact factory

**Dimensions:** (units: mm)

# Mouser Electronics

Authorized Distributor

Click to View Pricing, Inventory, Delivery & Lifecycle Information:

[Mallory Sonalert:](#)

[PS-983](#)