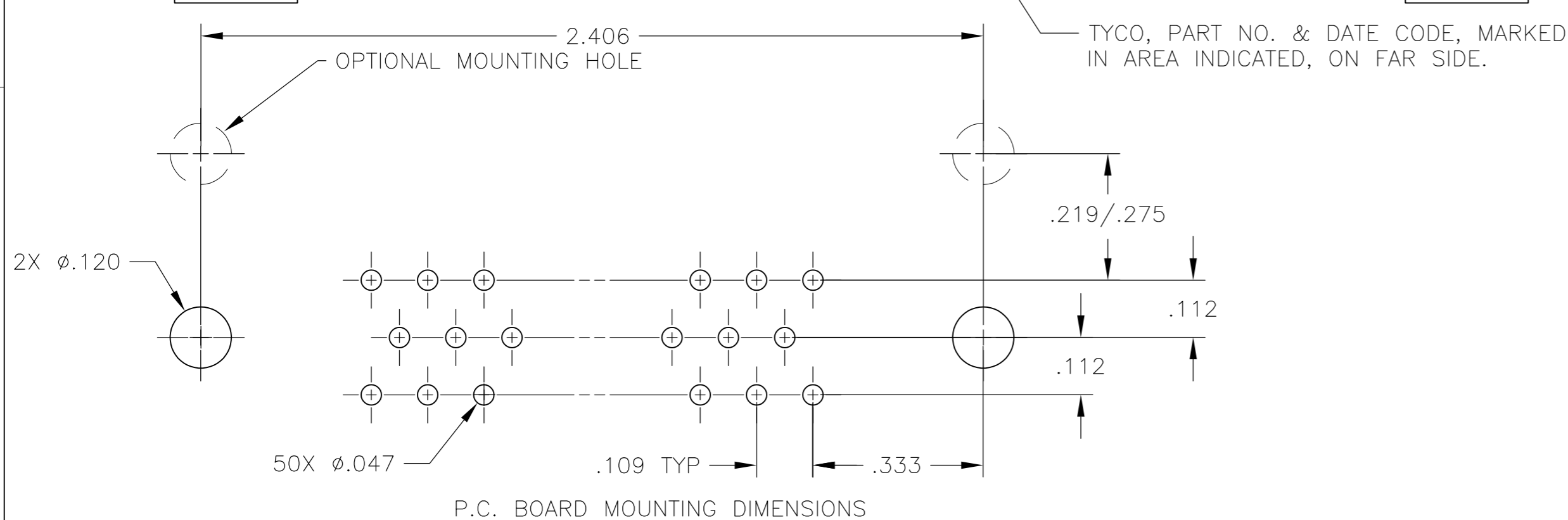
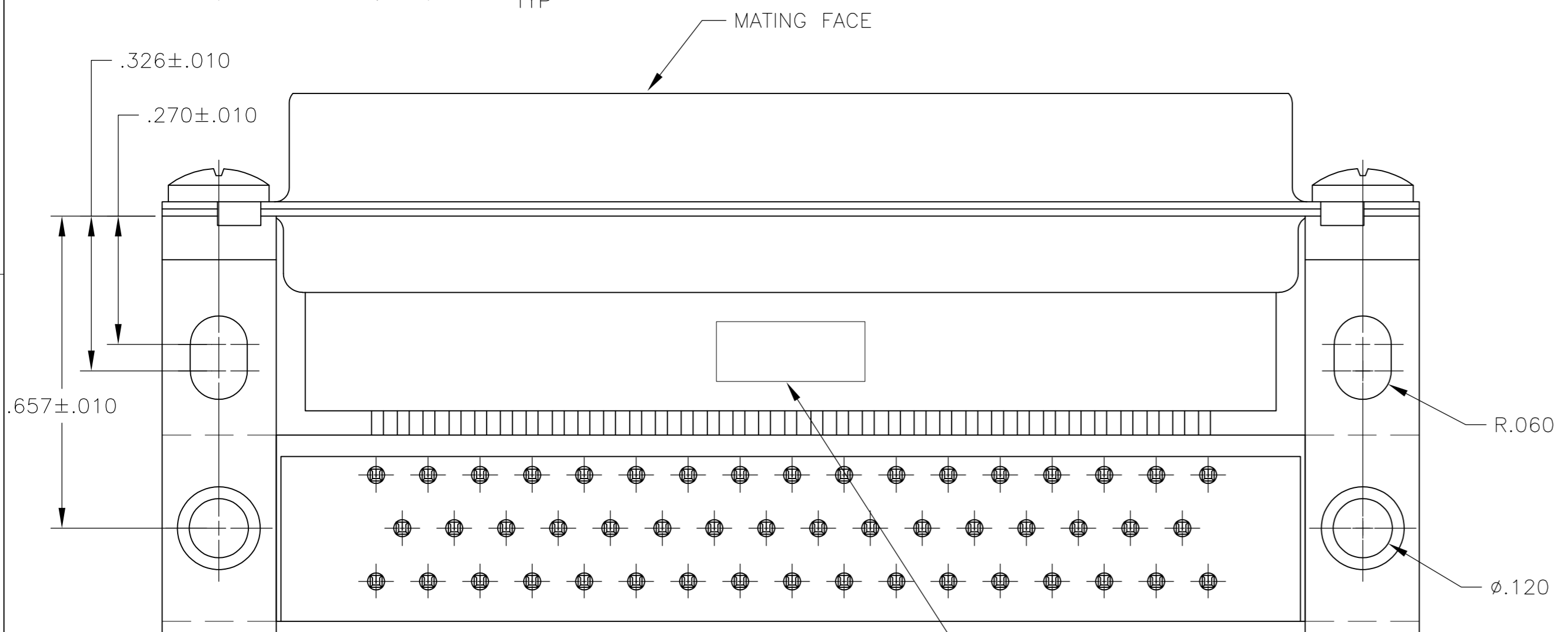
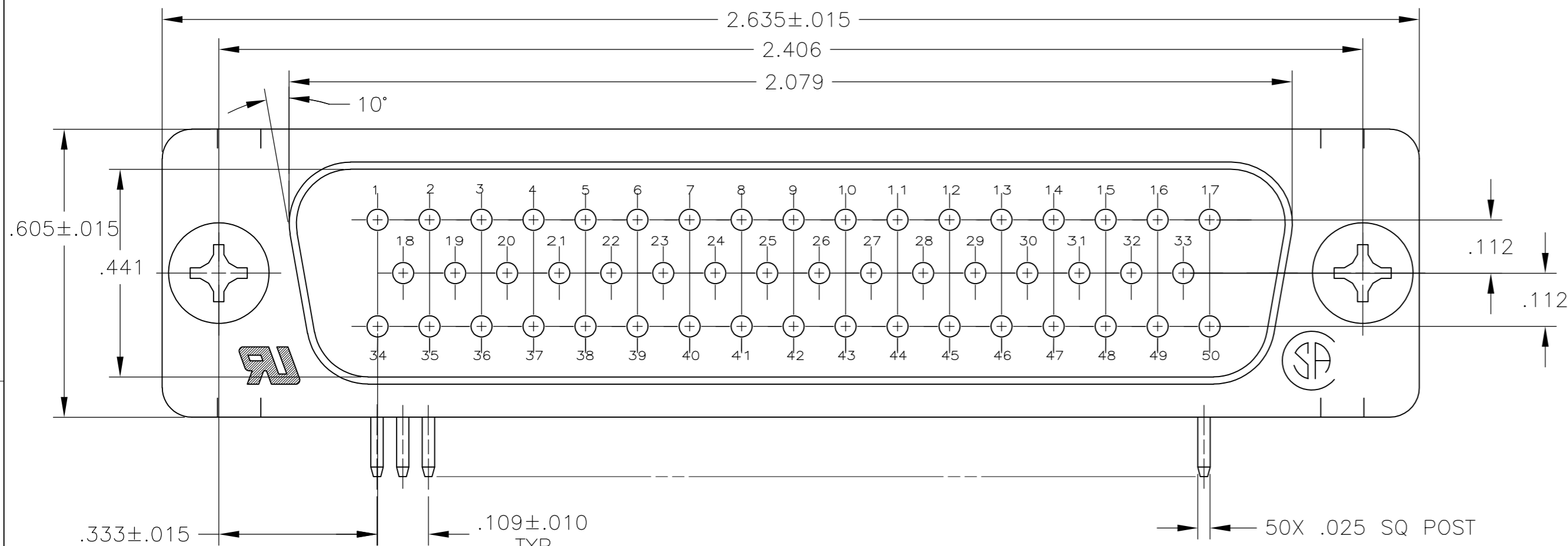
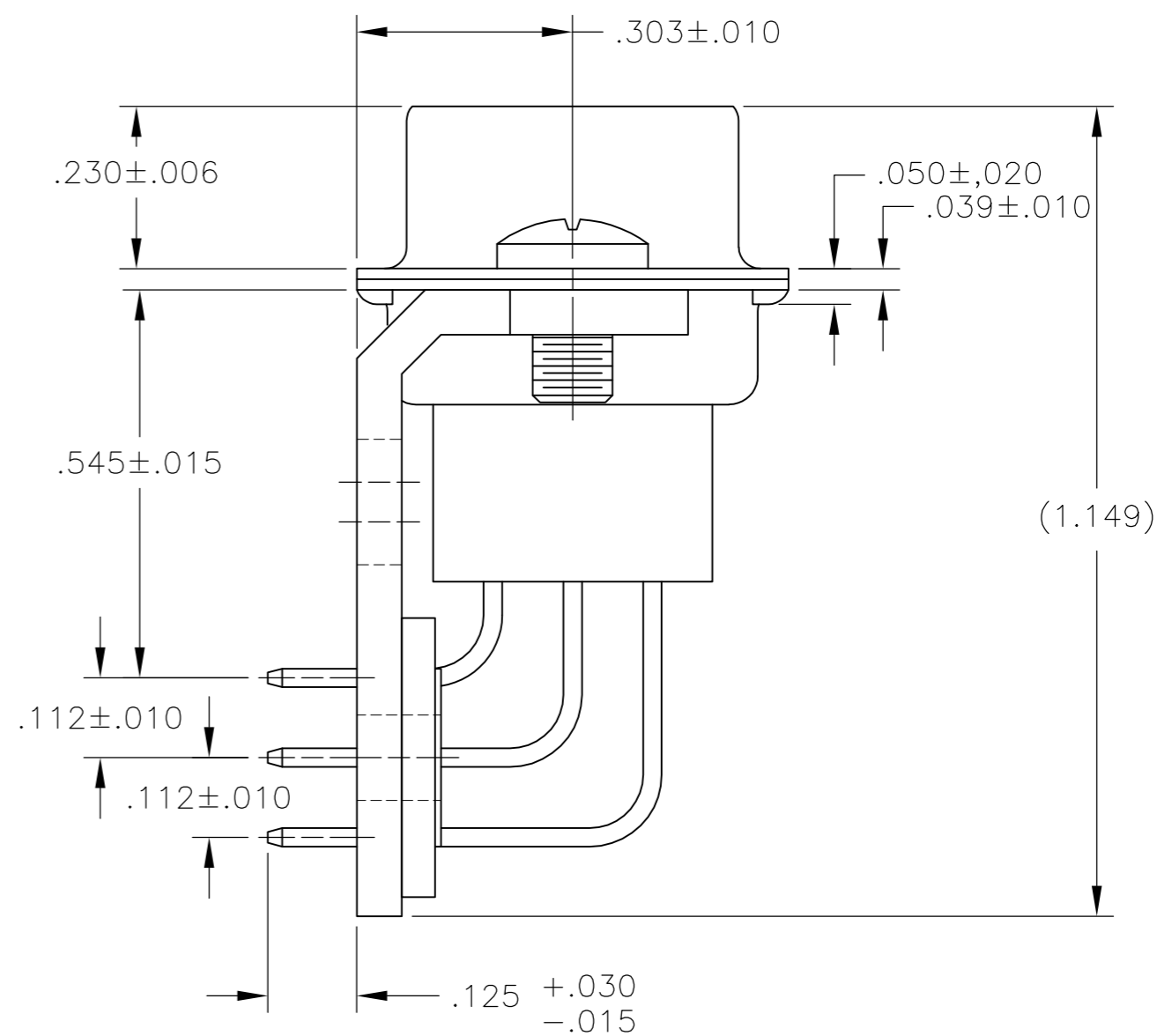


THIS DRAWING IS UNPUBLISHED. RELEASED FOR PUBLICATION
 © COPYRIGHT 2005 By - ALL RIGHTS RESERVED.

Loc		DIST		REVISIONS			
P	LTR	DESCRIPTION	DATE	DWN	APVD		
GP	00	B	REVISED PER ECO-14-011808	11AUG2014	AP	SB	



- 1 MOLDED PARTS: GLASS-FILLED PBT OR GLASS-FILLED NYLON, UL94V-0 RATED. COLOR: BLACK.
SHELLS & BRACKETS: CARBON STEEL
CONTACTS: BRASS
- 2 SHELLS & BRACKETS: .000200 MIN ZINC WITH YELLOW CHROMATE COATING.
CONTACTS: GOLD PLATED FOR LENGTH OF .150 MIN FROM MATING END, GOLD FLASH IN MATED AREA.
.000100 MIN TIN ON SOLDER END, BOTH OVER
.000050 MIN NICKEL.
- 3 SHELLS & BRACKETS: .000200 MIN ZINC WITH YELLOW CHROMATE COATING.
CONTACTS: GOLD PLATED FOR LENGTH OF .150 MIN FROM MATING END, .000030 MIN GOLD IN MATED AREA,
.000100 MIN TIN ON SOLDER END, BOTH OVER
.000050 MIN NICKEL.
OR
GOLD FLASH OVER PALLADIUM NICKEL PLATED FOR LENGTH OF .150 MIN FROM MATING END,
.000030 MIN PALLADIUM NICKEL IN MATED AREA,
.000100 MIN TIN ON SOLDER END, BOTH OVER
.000050 MIN NICKEL.



- 4 OBSOLETE PARTS: OBSOLETE CIS STREAMLINING PER D.RENAUD/D.SINISI

4	OBSOLETE	3	5205869-2
		2	5205869-1
		CONTACT FINISH	PART NUMBER

THIS DRAWING IS A CONTROLLED DOCUMENT.		DWN	G.PETERS	17OCT2005	 TE Connectivity		
DIMENSIONS: INCHES		CHK	S.BOLASH	17OCT05			
TOLERANCES UNLESS OTHERWISE SPECIFIED:		APVD	M.WALMSLEY	17OCT05			
0 PLC ± - 1 PLC ± - 2 PLC ± - 3 PLC ± ±.005 4 PLC ± - ANGLES ± ±2° FINISH		NAME	108-40025				
MATERIAL		APPLICATION SPEC	114-40013		SIZE	A2	
1		CUSTOMER DRAWING		WEIGHT	-	CAGE CODE	00779
2 3		SCALE		4:1	SHEET	1 of 1	REV
						RESTRICTED TO	

Mouser Electronics

Authorized Distributor

Click to View Pricing, Inventory, Delivery & Lifecycle Information:

[TE Connectivity:](#)

[5205869-2](#)