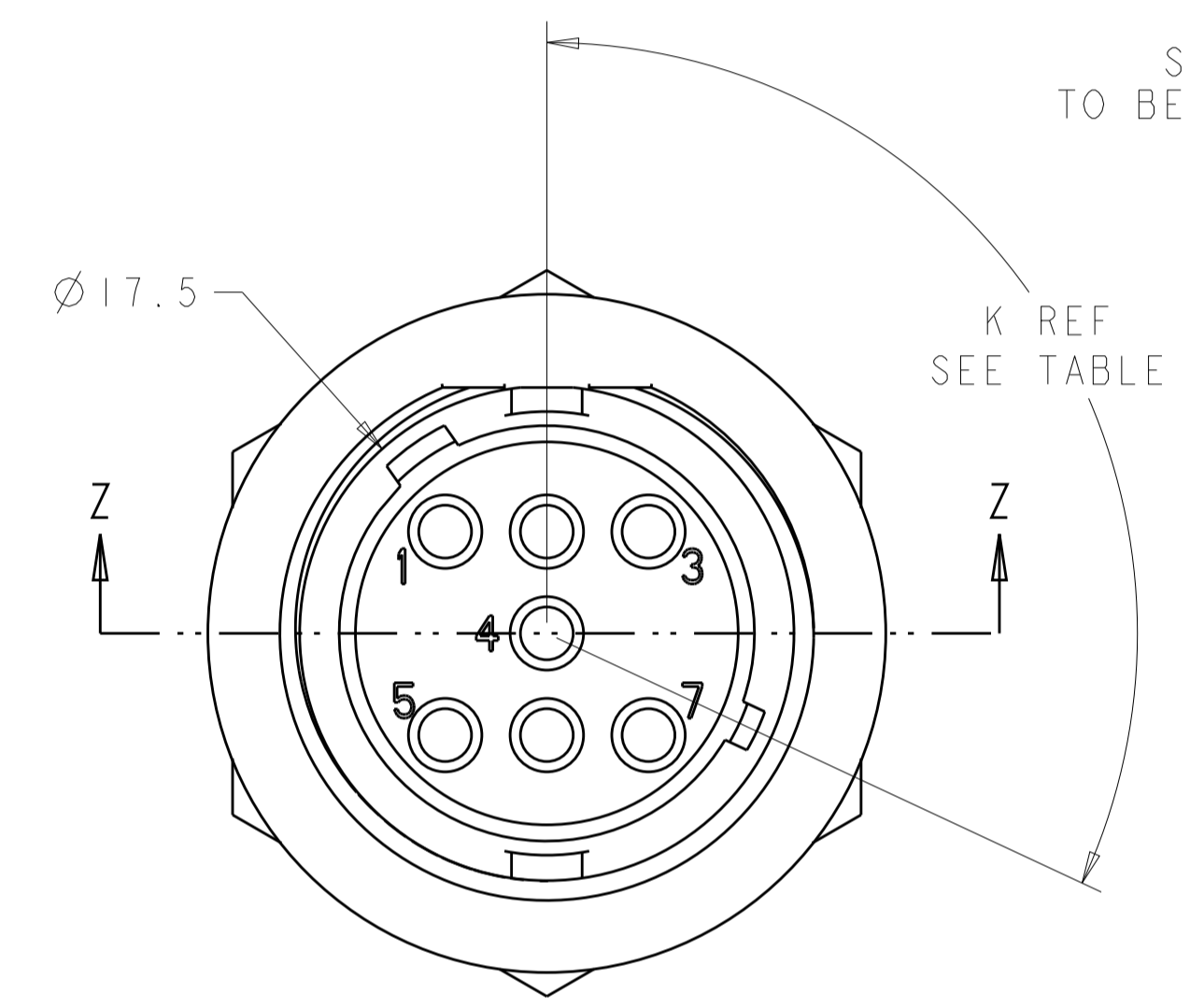
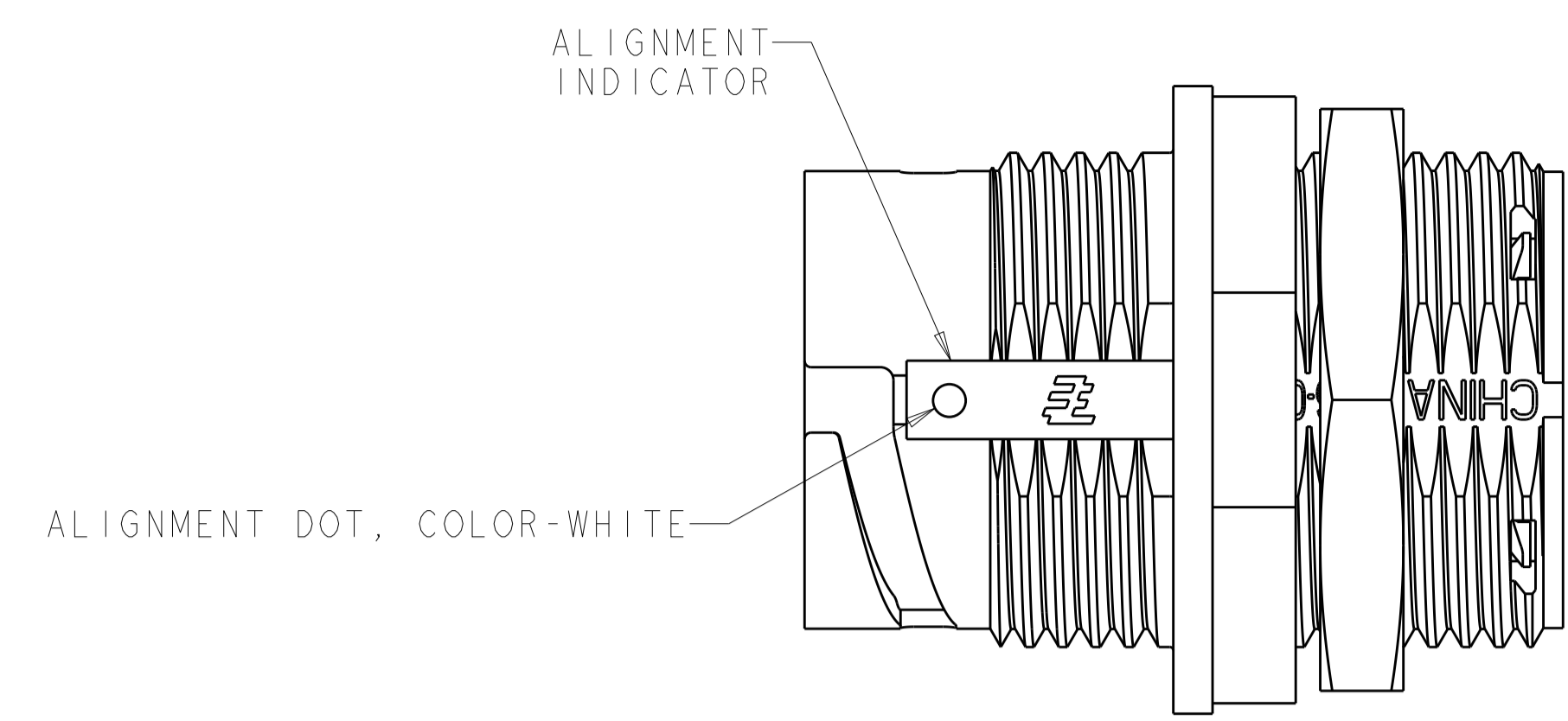
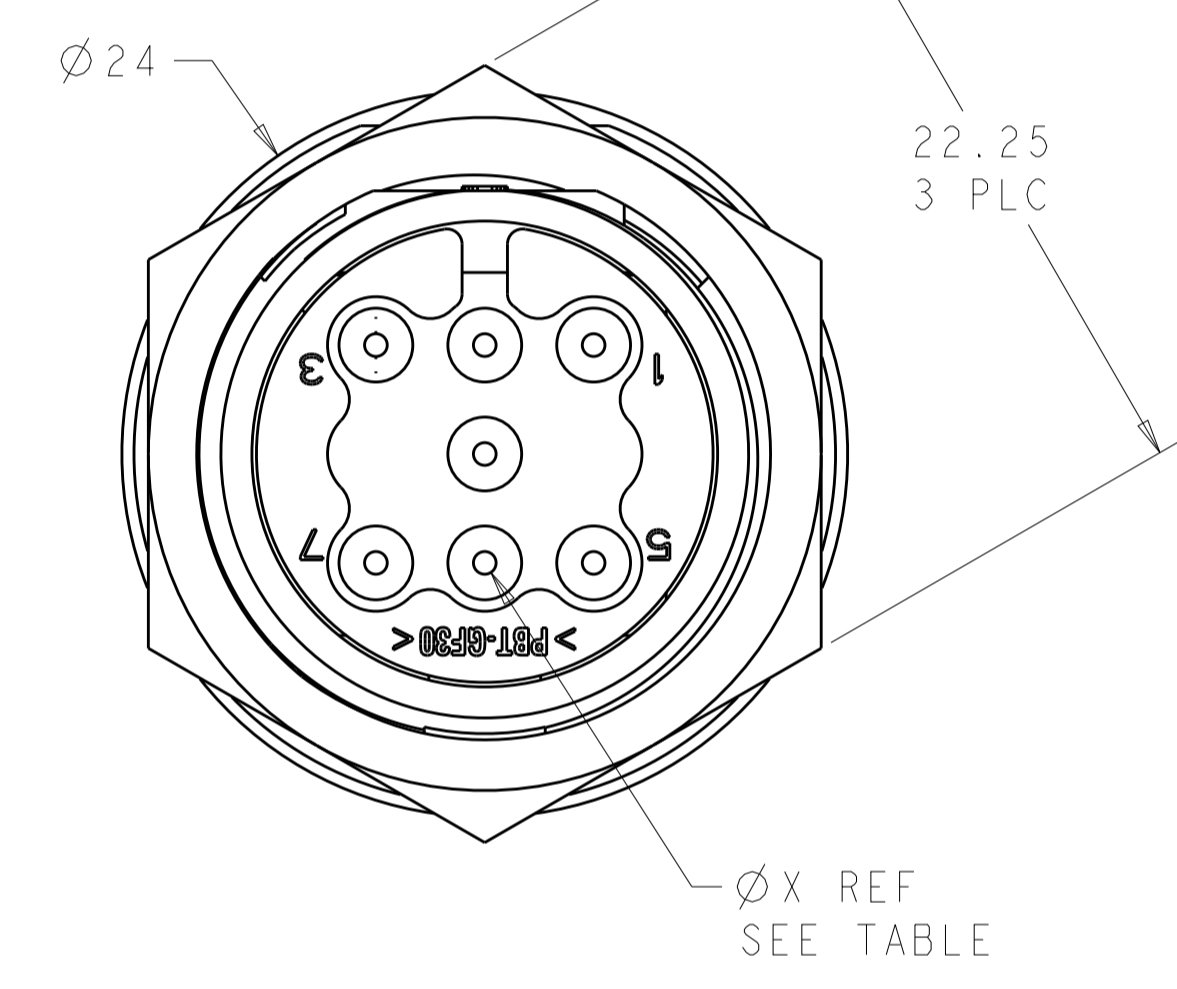
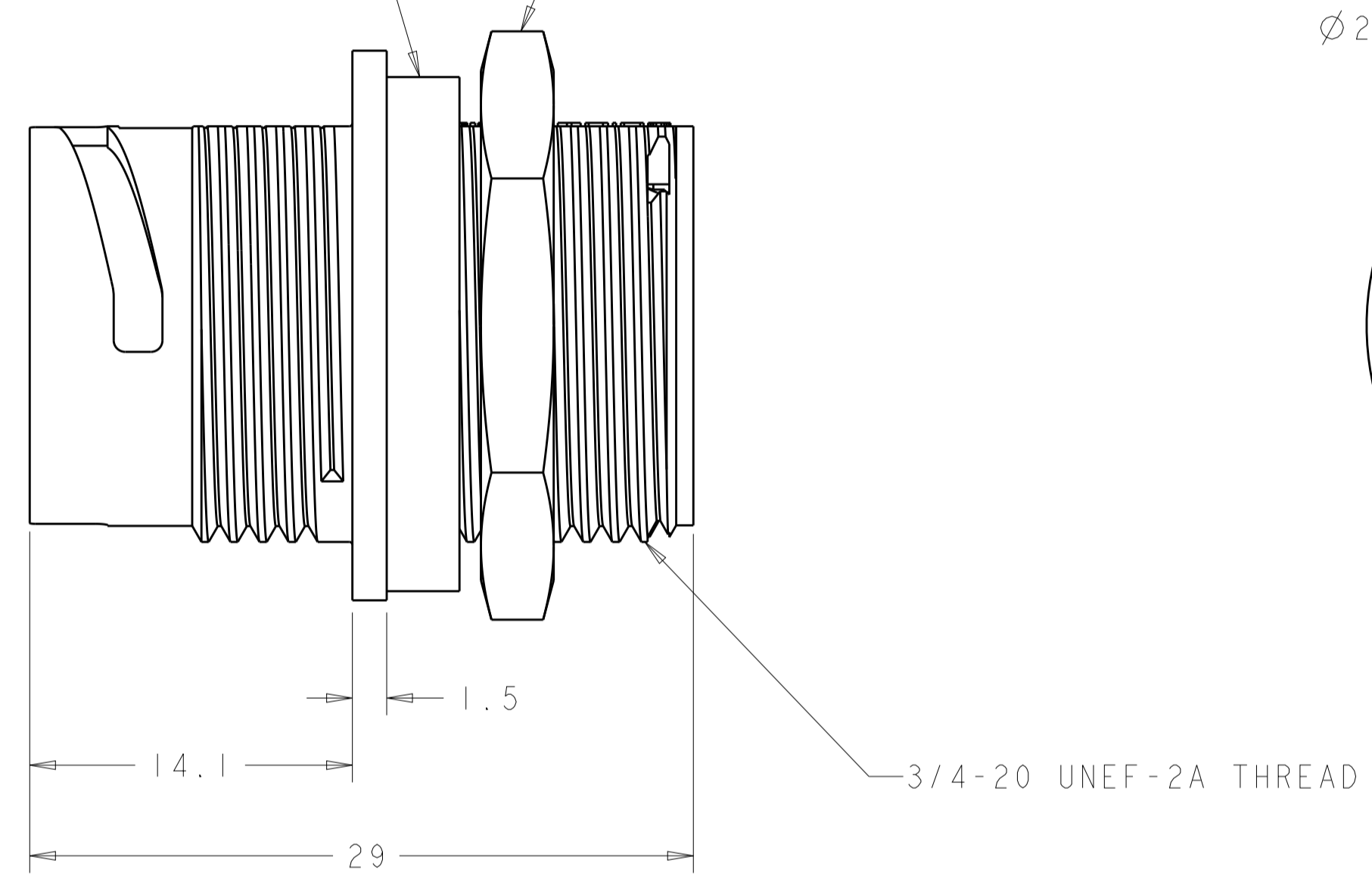


REVISIONS				
P.	LTM	DESCRIPTION	DATE	DWN APVD
B3		REVISED PER ECO-15-010004	13JUL2015	NK MZ
C		REVISED PER ECO-16-018355	21MAR2017	RS MZ

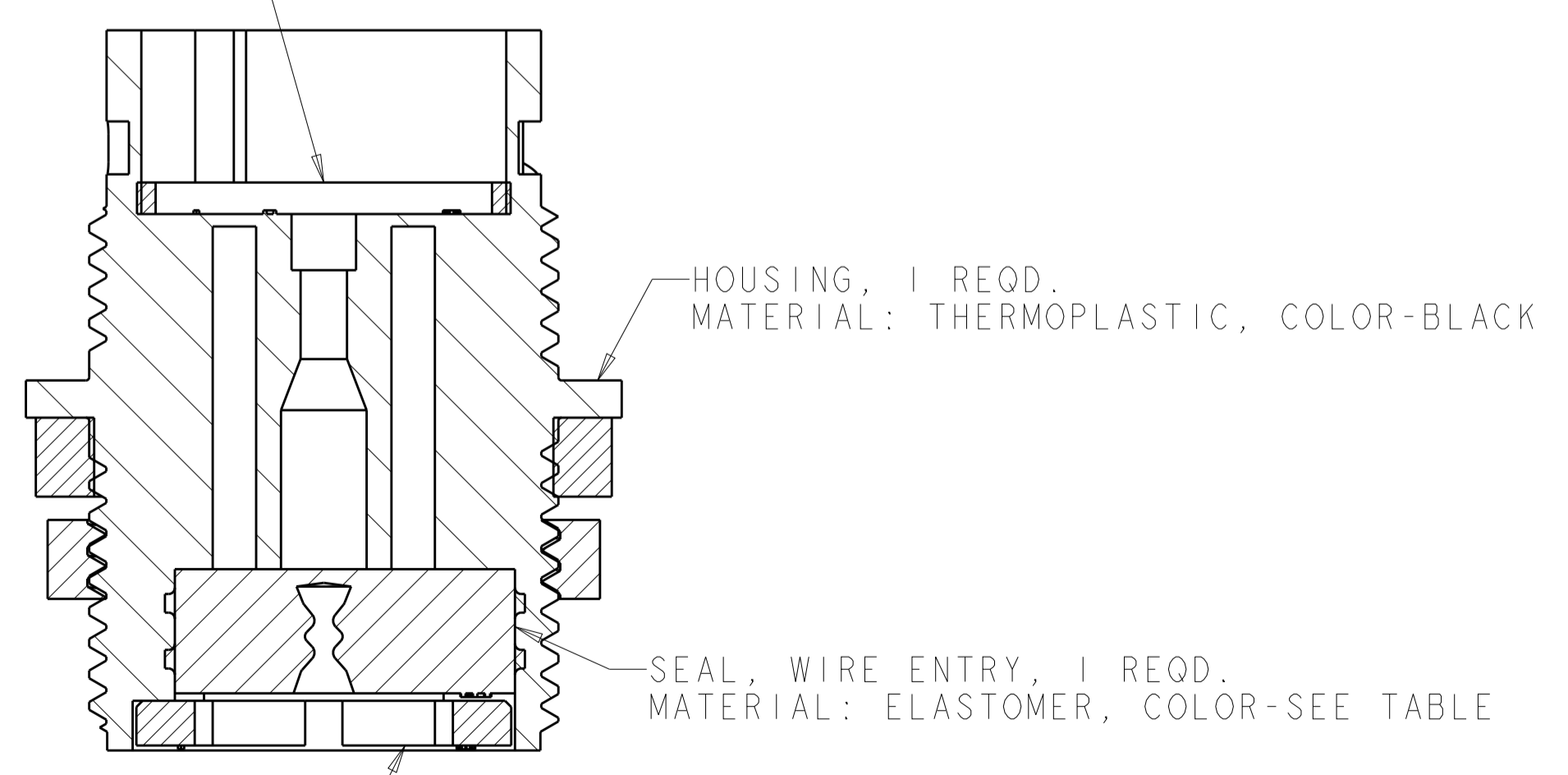


SEAL, PANEL; SHOWN FOR REFERENCE ONLY, TO BE ORDERED SEPARATELY, PART #1445420-02

JAM NUT, SHOWN FOR REFERENCE ONLY, TO BE ORDERED SEPARATELY, PART # 1445904-1

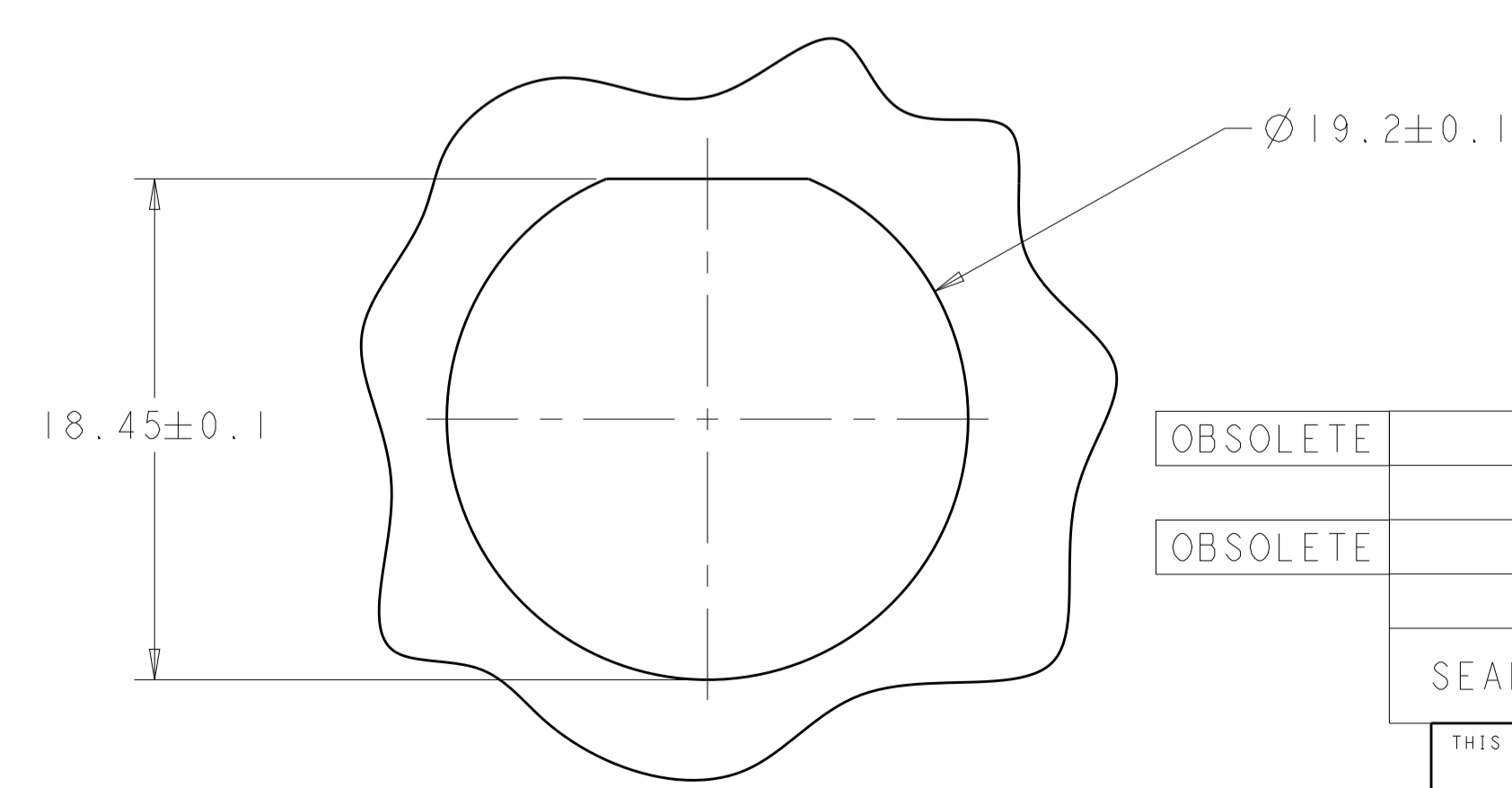


SEAL, PERIPHERAL, 1 REQD.
 MATERIAL: ELASTOMER, COLOR-GRAY



SECTION Z-Z

1. CONNECTOR CAN BE FRONT OR REAR PANEL MOUNTED.
 △ MAX PANEL THICKNESS - 3.18



OBSOLETE	YELLOW	Ø 0.75	135°	1445822-04
	NATURAL	Ø 1.5	115°	1445822-03
OBSOLETE	NATURAL	Ø 1.5	135°	1445822-02
	YELLOW	Ø 0.75	115°	1445822-01
SEAL, WIRE ENTRY COLOR		Ø X REF	K REF	PART NUMBER

THIS DRAWING IS A CONTROLLED DOCUMENT. DWN SHANE WIESE 15OCT2001
 CHK G DOUTY 15OCT2001

DIMENSIONS: mm

TOLERANCES UNLESS OTHERWISE SPECIFIED:	0 PLC	1 PLC	2 PLC	3 PLC	4 PLC	ANGLES	FINISH
	±	±	±0.13	±	±	±	SEE CALLOUT

MATERIAL: SEE CALLOUT

APVD H. WAKEEM 13JUN2003

PRODUCT SPEC

APPLICATION SPEC

WEIGHT

CUSTOMER DRAWING

SCALE 4:1 SHEET 1 OF 1 REV C

NAME ASSEMBLY, RECEPTACLE, SIZE 11, 7 POSITION, PANEL MOUNT, SEALED, MINI CPC

SIZE A100779 C=1445822

RESTRICTED TO

Mouser Electronics

Authorized Distributor

Click to View Pricing, Inventory, Delivery & Lifecycle Information:

[TE Connectivity:](#)

[1445822-1](#)