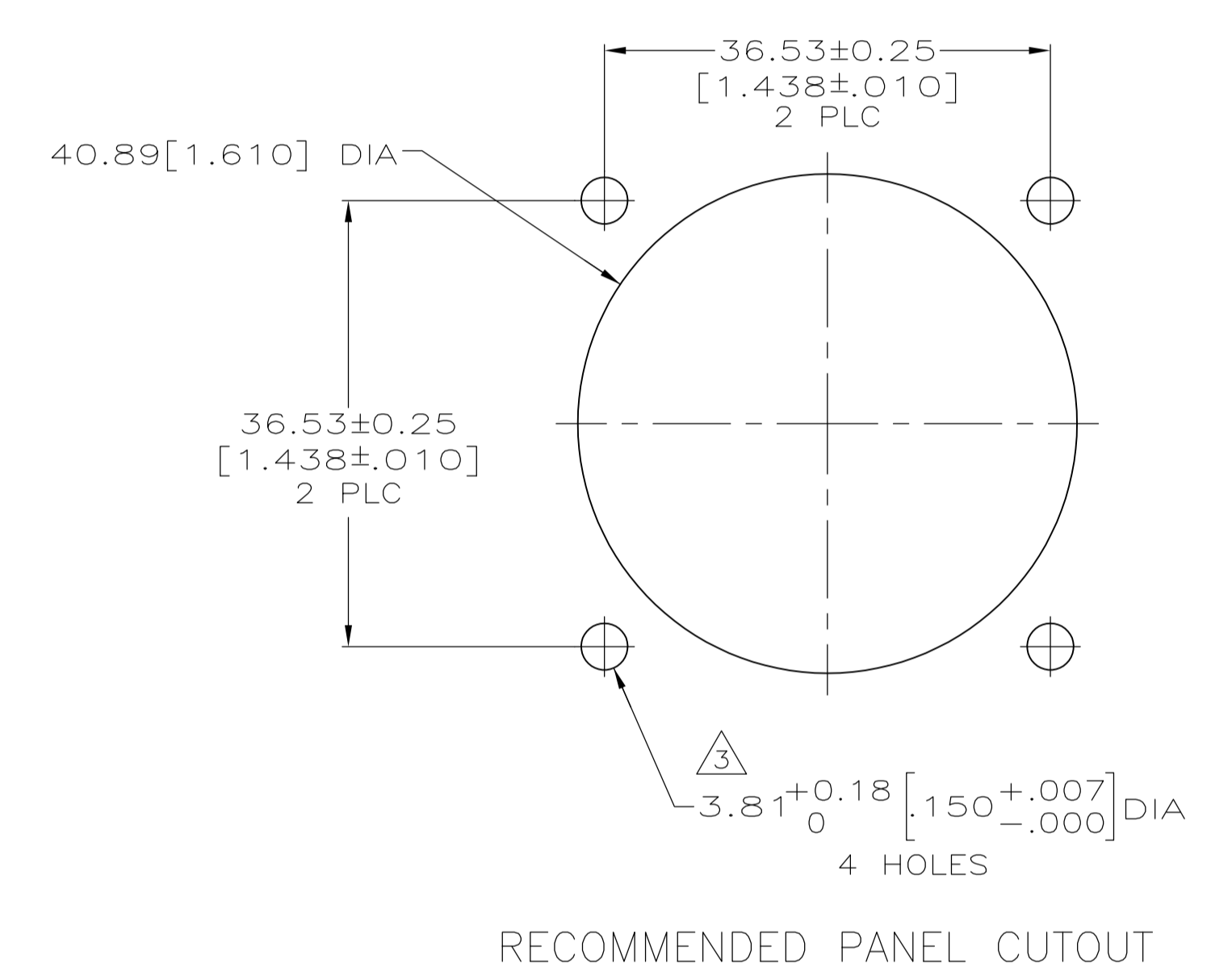
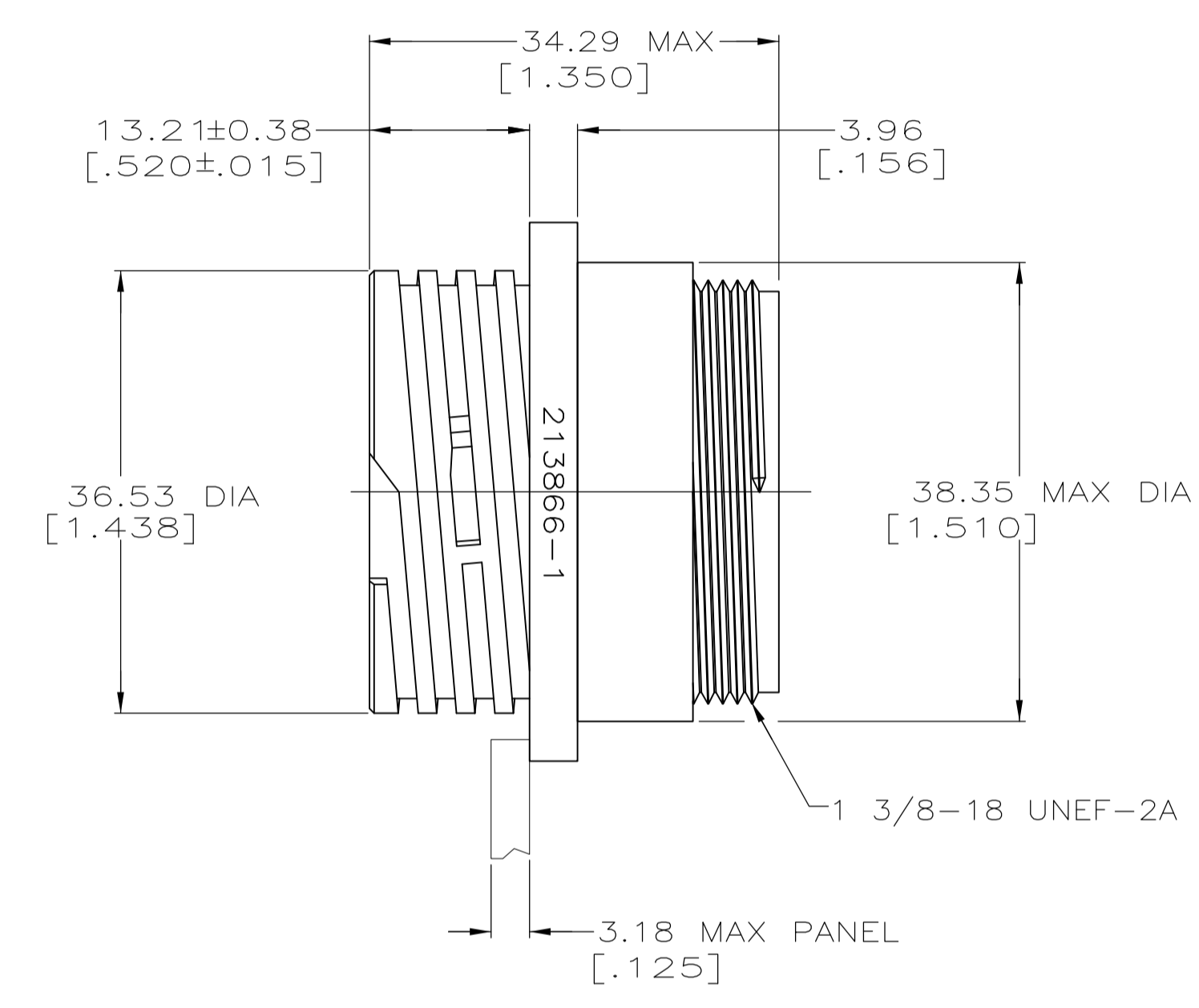
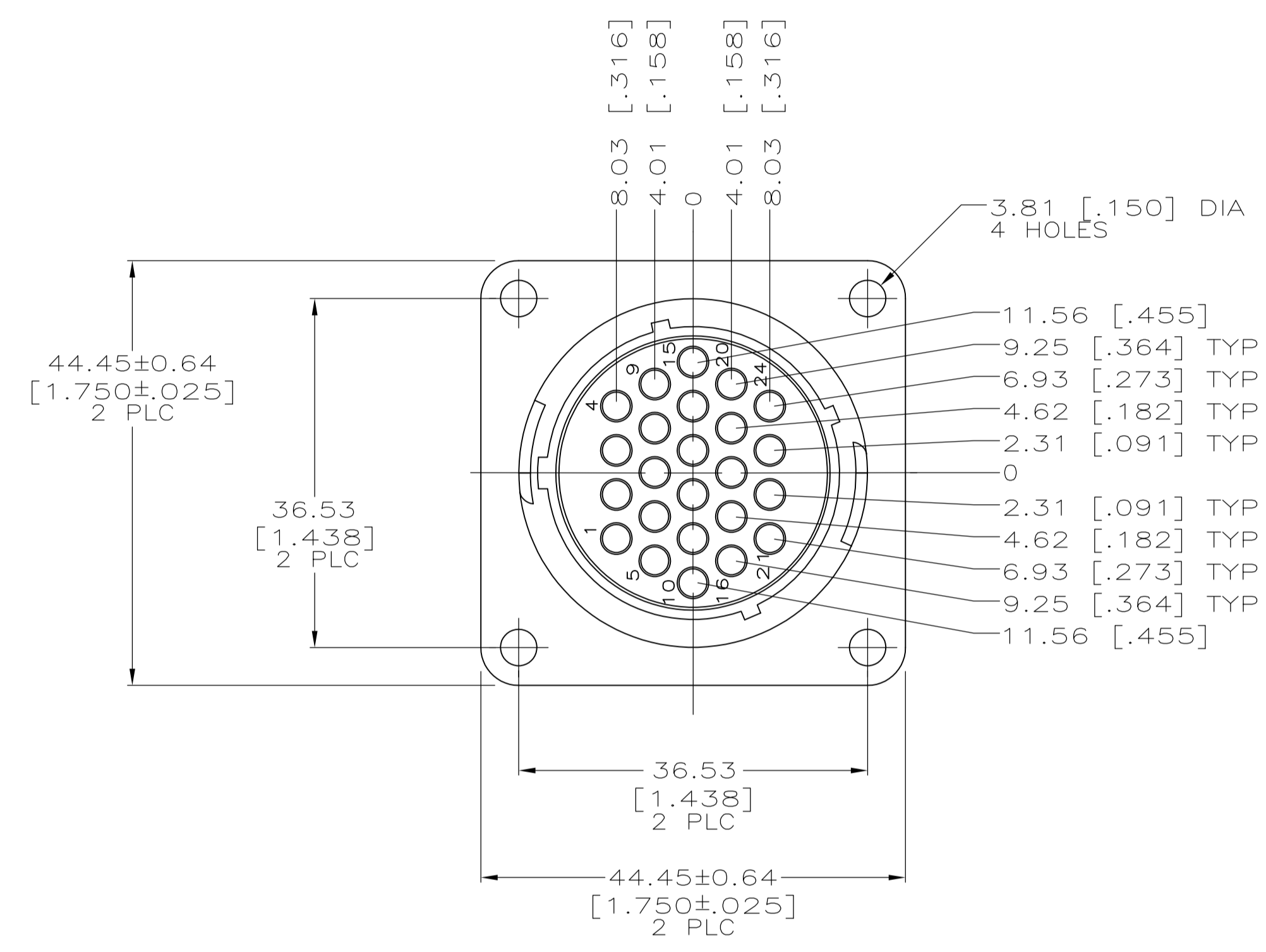


LOC		DIST		REVISIONS			
P	LTR	DESCRIPTION	DATE	DNW	APVD		
A		REVISED PER ECO-12-015521	28SEP12	KH	MZ		

- 1 CAVITY IDENTIFICATION ON FRONT AND REAR FACE.
- 2 WILL ACCEPT (24) MULTIMATE PIN CONTACTS.
- 3 NO 4 FASTENER RECOMMENDED FOR MOUNTING.
- 4 MAXIMUM INSULATION NOT TO EXCEED .150 DIA.



THIS DRAWING IS A CONTROLLED DOCUMENT.		DIN K.FOLTZ 12/23/94		
DIMENSIONS: INCHES		CHK R.STONE 01/05/95		
TOLERANCES UNLESS OTHERWISE SPECIFIED:		APVD T.COULSON 01/05/95	NAME RECEPTACLE HOUSING, STANDARD SEX, SIZE 23, CPC	
0 PLC ± -		PRODUCT SPEC 108-10024	SIZE A1	
1 PLC ± -		APPLICATION SPEC	CAGE CODE 00779	
2 PLC ± 0.25 [.010]		FINISH	DRAWING NO 213866	
3 PLC ± -		MATERIAL NYLON, BLACK	RESTRICTED TO	
4 PLC ± -		WEIGHT	SCALE 2:1	
ANGLES ± -		CUSTOMER DRAWING	SHEET 1 OF 1	
			REV A	

Mouser Electronics

Authorized Distributor

Click to View Pricing, Inventory, Delivery & Lifecycle Information:

[TE Connectivity:](#)

[213866-1](#)