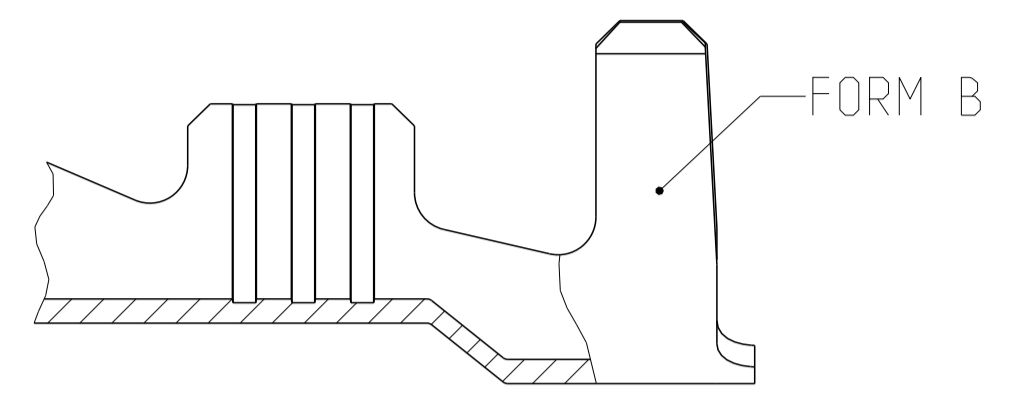
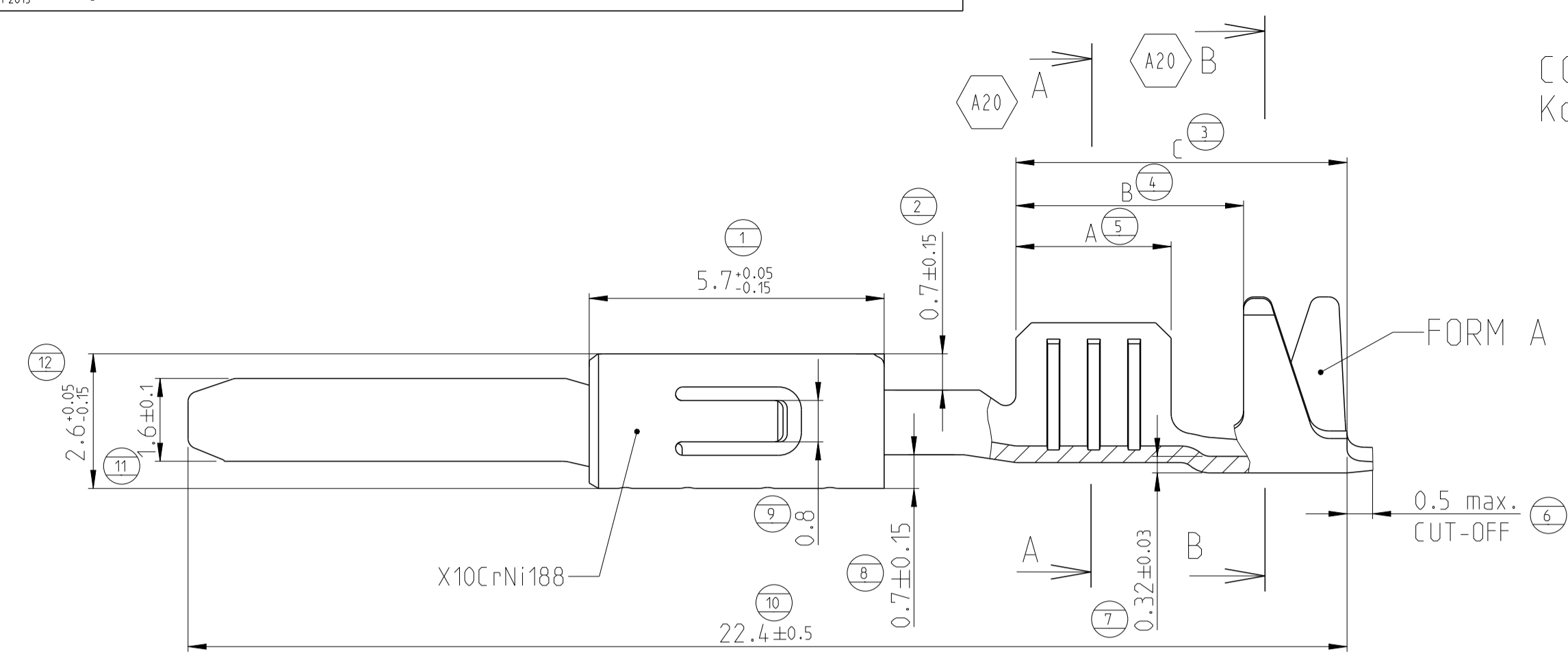
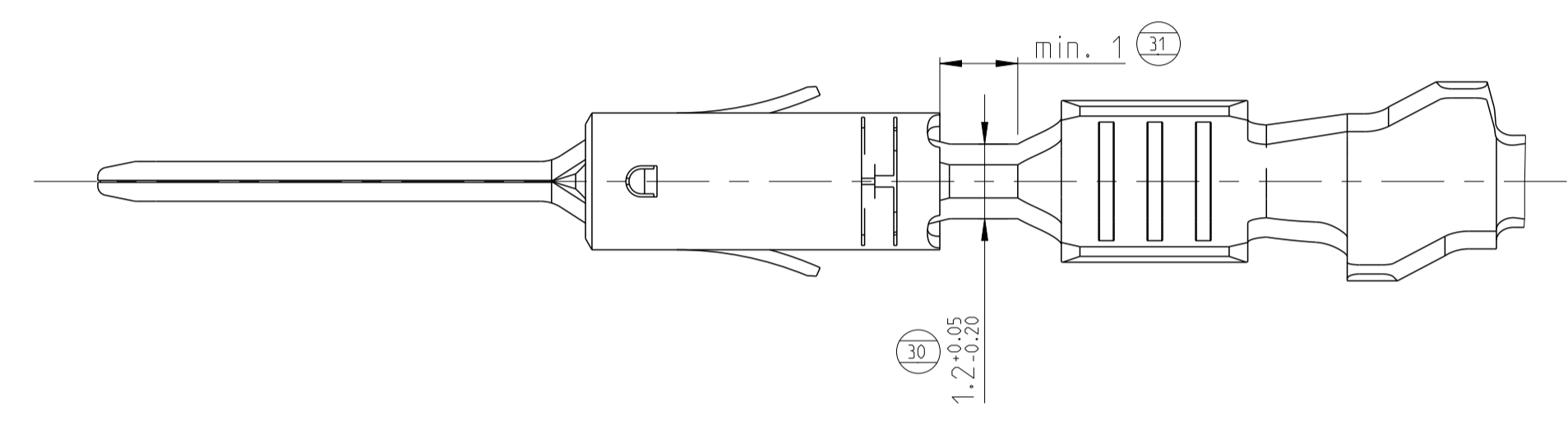
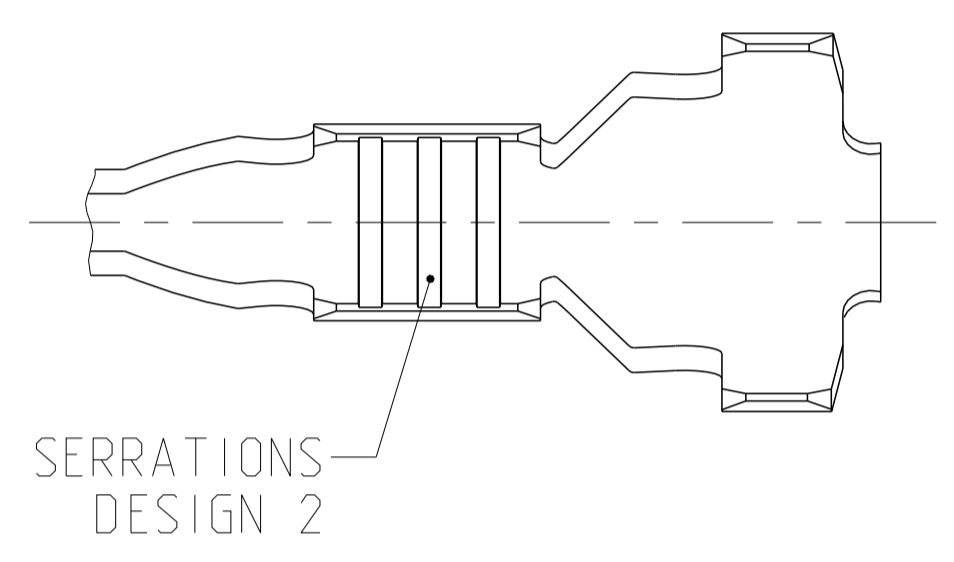
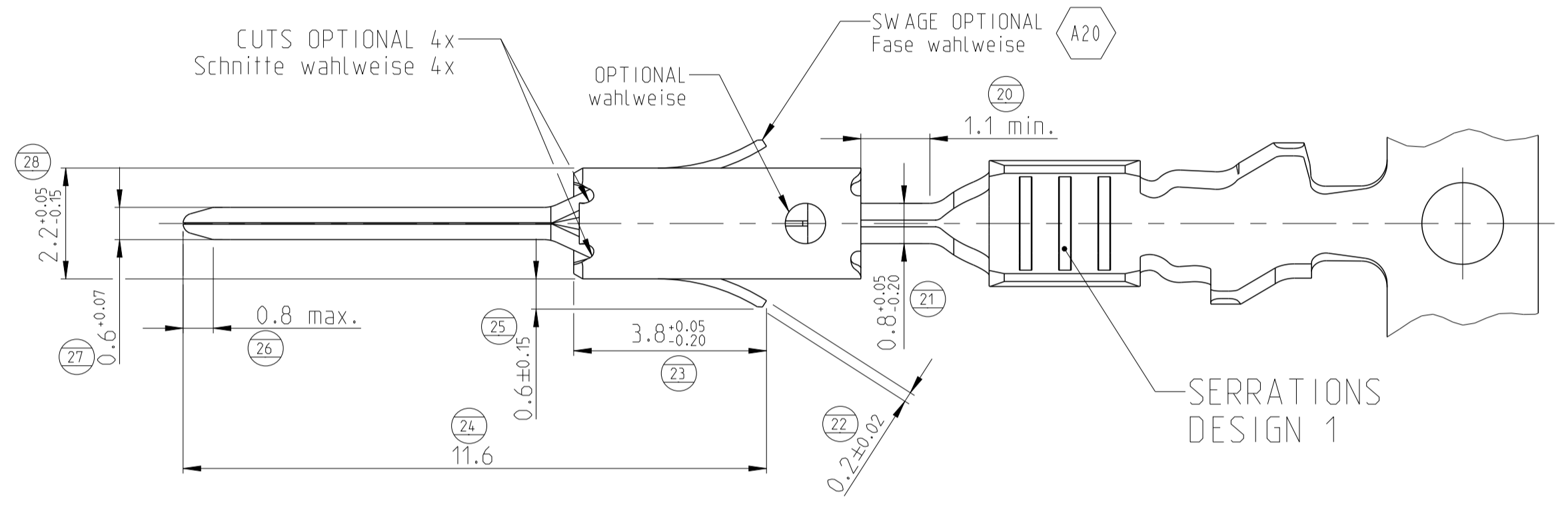
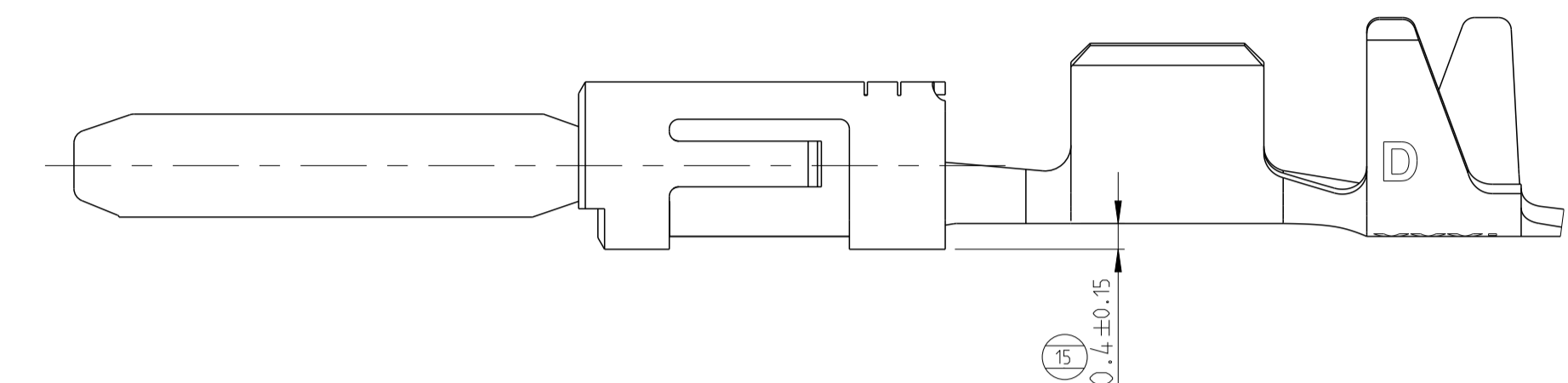


REVISIONS				
P.	LTN	DESCRIPTION	DATE	APVD
A17	ECR-15-016897		09MAR2016	MB JK
A18	ECR-16-006173		04MAY2016	MB JK
A19	ECR-16-009404		22SEP2016	MB JK
A20	ECR-17-005648		21OCT2017	MB PSI

CONTACTS FOR FLR-CABLE
 Kontakte fuer FLR-Leitung

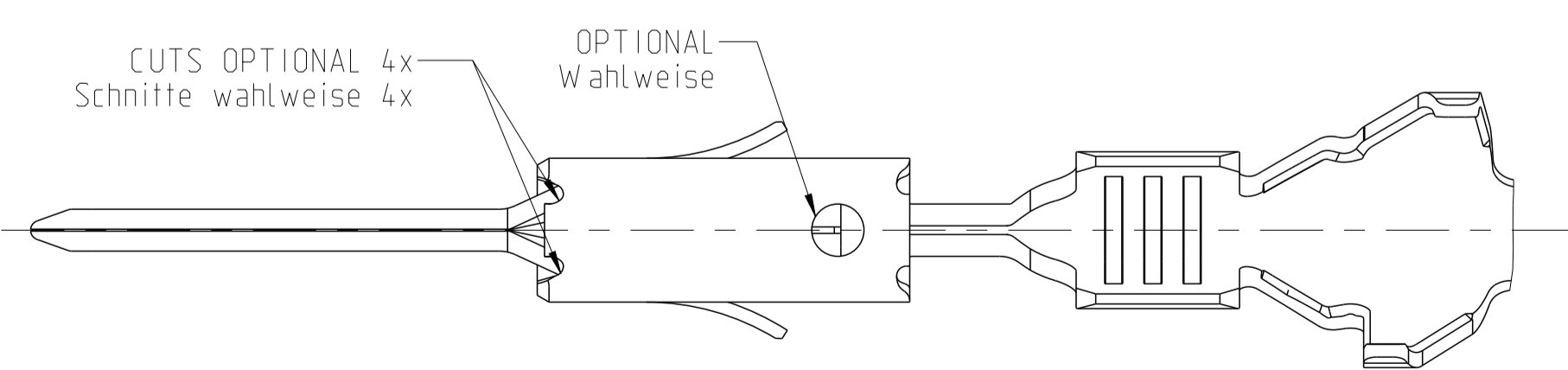
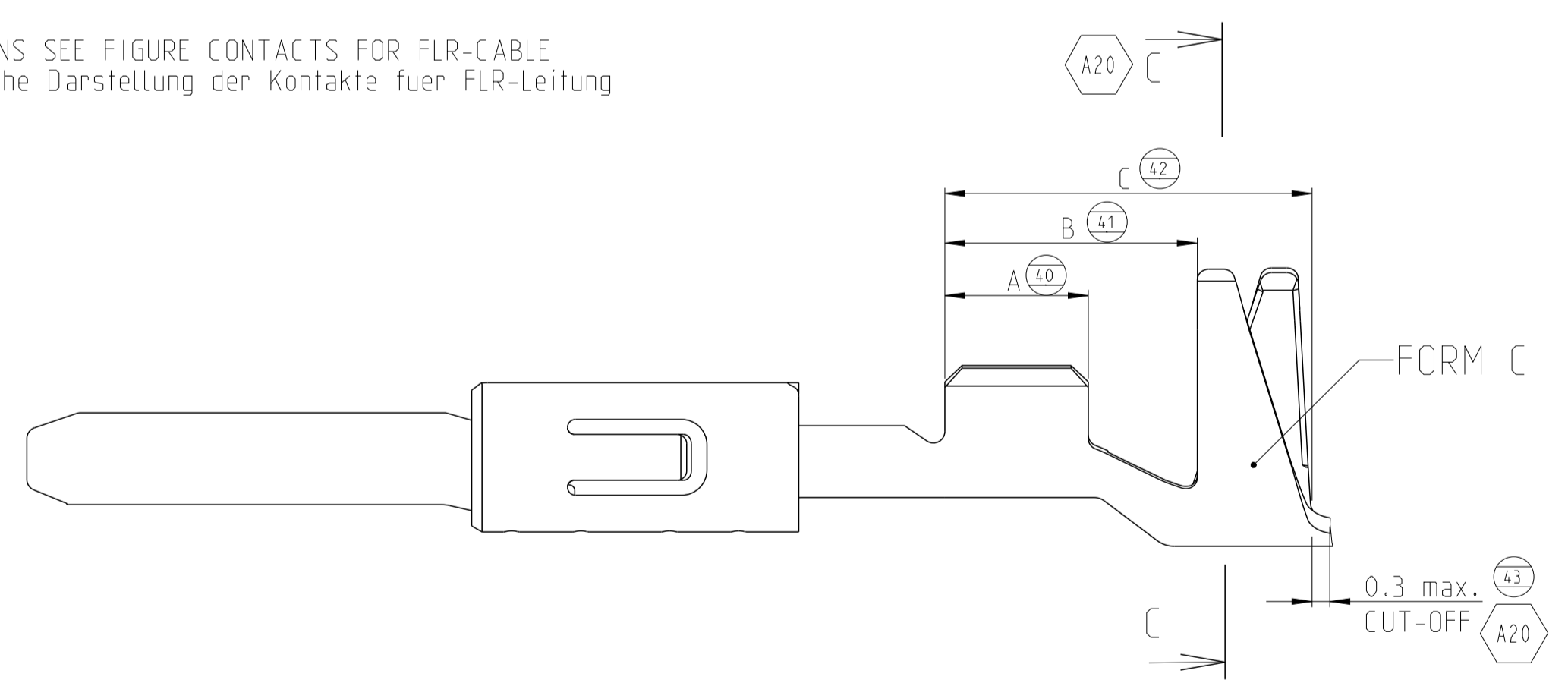


DESIGN 963898 / 963900 / 963904
 Ausfuehrung 963898 / 963900 / 963904

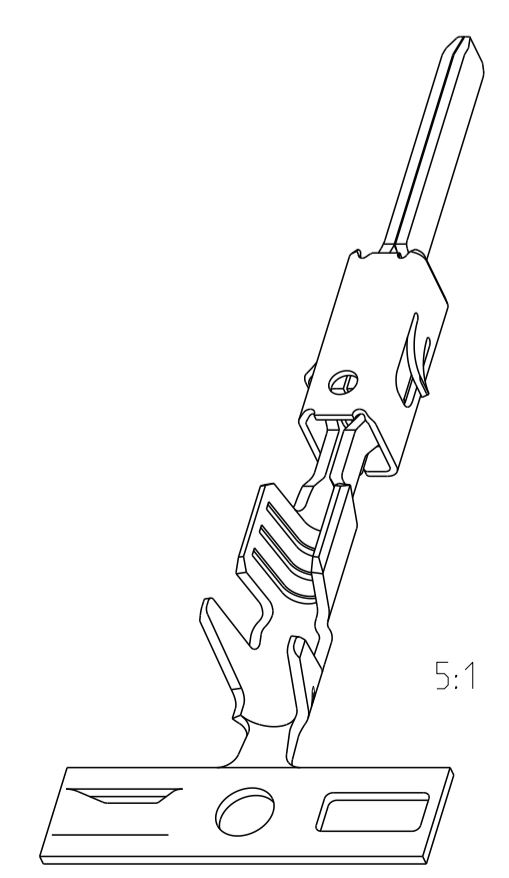
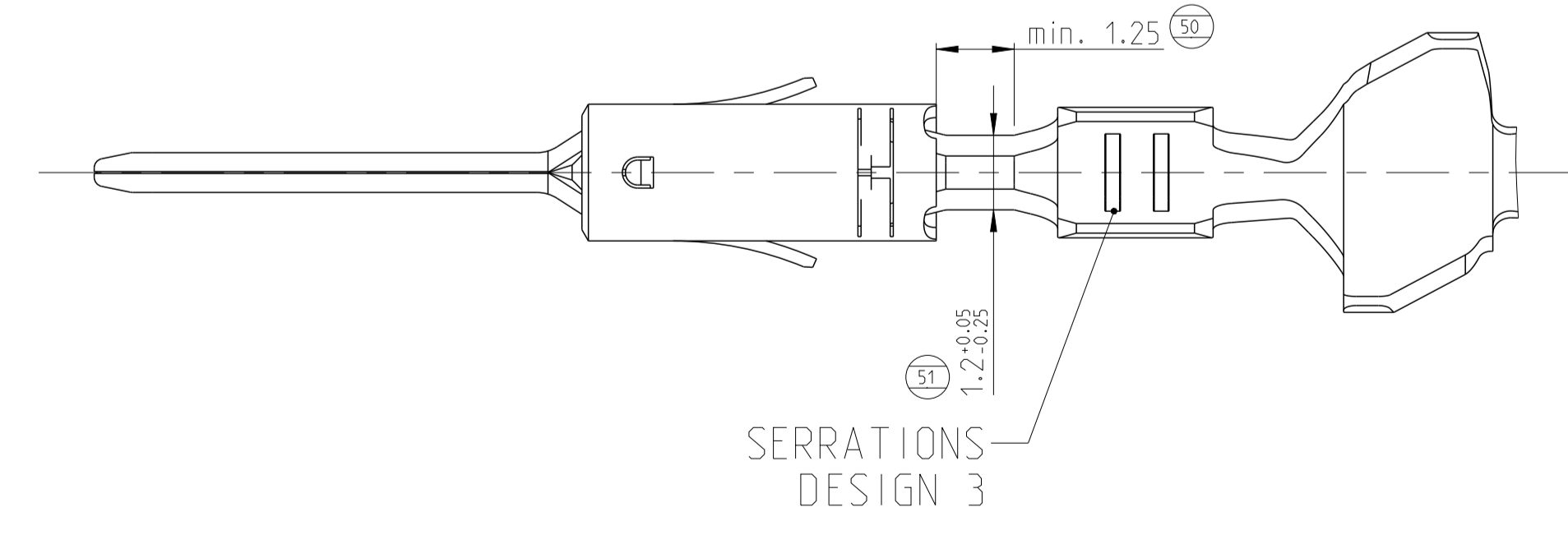
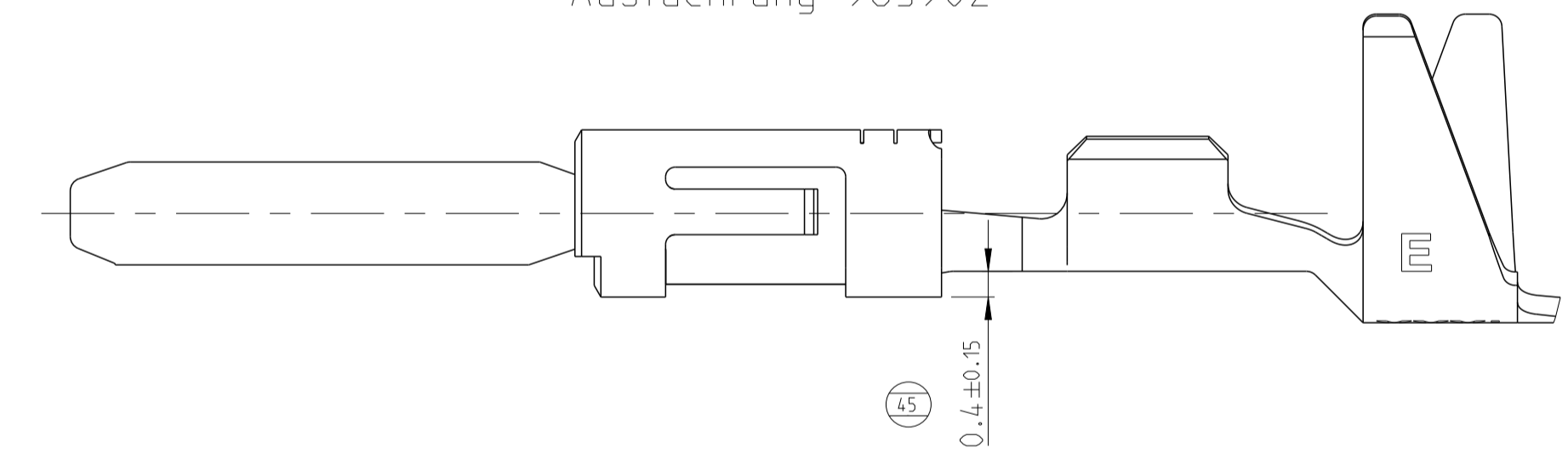


CONTACTS FOR SINGLE WIRE SEALING SYSTEM:
 FLR- AND FLK-CABLE
 Kontakte fuer Einzeldichtung-System:
 FLR- und FLK-Leitung

DIMENSIONS SEE FIGURE CONTACTS FOR FLR-CABLE
 Masse siehe Darstellung der Kontakte fuer FLR-Leitung

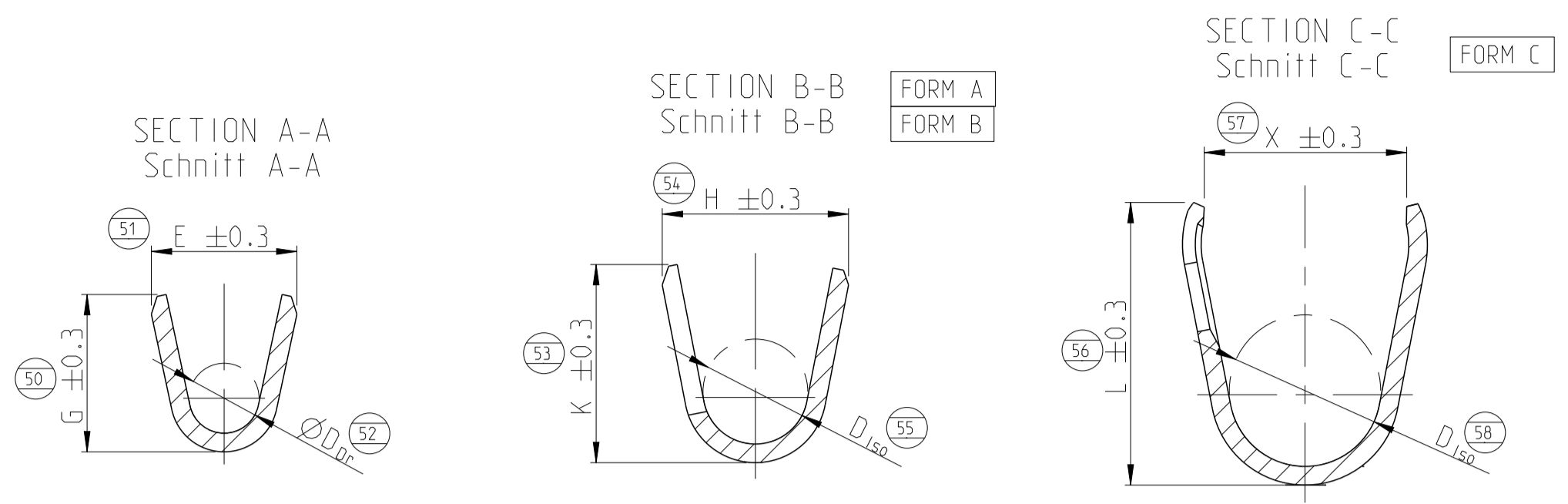


DESIGN 963902
 Ausfuehrung 963902



THIS DRAWING IS A CONTROLLED DOCUMENT.		OWN: T.Bersch 11JUN1997	TE Connectivity
DIMENSIONS: mm		CHK: U.Muenk 11JUN1997	
TOLERANCES UNLESS OTHERWISE SPECIFIED: ±0.2		APVD: M.Bleicher 02MAR2011	NAME: PRODUCT GROUP DRAWING
MATERIAL: SEE TABLE sheet 2		FINISH: SEE TABLE sheet 2	TAB 1.6 x 0.6
WEIGHT: -		SIZE: 116-18082	Flachstecker 1.6 x 0.6
CUSTOMER DRAWING		SCALE: 10:1	SHEET 1 OF 2

REVISIONS				
P.	LTN	DESCRIPTION	DATE	OWN APVD
-	-	SEE SHEET 1	-	-



SINGLE WIRE SEAL / Einzelichtungssystem	TE ORDER-NO.	REV	DESIGN SERRATIONS Ausführung Serrations	MATERIAL Werkstoff	SURFACE Oberflaeche	DGB mm ²	INSULATION IsolationsØ mm	SEE / siehe SECTION A-A Schnitt A-A	SEE / siehe SECTION B-B / C-C Schnitt B-B / C-C	HAND TOOL Handzange	INSERT Matrize	A	B	C	X	TE ORDER-NO.	CRIMP DATA AND CRIMP TOOL Crimpdaten und Crimpwerkzeuge											
								E = 2.8 G = 3.0 D _{Dr} = 1.4	L = 4.9 D _{ISO} = 2.9																			
UNSEALED / ungedichtet	1703278-5	A	1	CuSn4	5	1.5	1.95 - 2.4	E = 2.8 G = 3.0 D _{Dr} = 1.4	L = 4.9 D _{ISO} = 2.9	169400-0 539635-1	539960-1	-	3.0	4.4	6.4	3.6	SEE APPLICATION SPECIFICATION 114-18082 siehe Verarbeitungsspezifikation 114-18082											
	1703278-2	A	1	CuFe2	4	0.5 - 1.0	1.4 - 2.1	E = 2.5 G = 2.7 D _{Dr} = 1.2	L = 4.8 D _{ISO} = 2.7									539612-1 539663-2	3.0	4.4	6.4	3.3	-	-	-	-		
	2-964269-2	A	1	CuFe2	5																							
	964269-5	A	1	CuSn4	5																							
	964269-3	E	1	CuSn4	1	0.5 - 1.0	1.4 - 2.1	E = 2.6 G = 2.8 D _{Dr} = 1.2	H = 4.5 K = 4.8 D _{ISO} = 2.7									539651-2	3.0	4.6	7.0	-	-	-	-	-		
	964269-2	D	1	CuFe2	4																							
	963904-3	G	1	CuSn4	1																							
	963904-2	F	1	CuFe2	4	0.35	1.15 - 1.6	E = 2.4 G = 2.3 D _{Dr} = 1.0	L = 4.8 D _{ISO} = 2.6									539663-2	2.5	4.4	6.4	3.3	-	-	-	-	-	
	963904-1	F	1	CuSn4	4																							
	2141884-5	A	2	CuSn4	5																							
	2141884-3	B	2	CuSn4	1	0.2 - 0.5	1.15 - 1.6	E = 2.1 G = 2.1 D _{Dr} = 0.8	X = 4.3 L = 4.8 D _{ISO} = 2.6									539612-1 539663-2	2.5	4.4	6.4	3.3	-	-	-	-	-	
	2-2141884-2	A	2	CuFe2	5																							
	2141884-2	A	2	CuFe2	4																							
	969028-5	A	3	CuSn4	5	0.2 - 0.5	1.15 - 1.6	E = 2.1 G = 2.1 D _{Dr} = 0.8	H = 4.5 K = 4.8 D _{ISO} = 2.7									539651-2	2.5	4.6	7.0	-	-	-	-	-	-	
	969028-3	E	3	CuSn4	1																							
	969028-2	D	3	CuFe2	4																							
	963902-3	E	3	CuSn4	1	0.2 - 0.5	1.15 - 1.6	E = 2.1 G = 2.1 D _{Dr} = 0.8	H = 3.5 K = 3.9 D _{ISO} = 1.9									169400-0 539635-1	-	3.0	4.4	6.4	-	-	-	-	-	-
	963902-2	D	3	CuFe2	4																							
963902-1	D	3	CuSn4	4																								
1241846-5	A	1	CuSn4	5	0.5 - 1.0	1.4 - 2.1	E = 2.5 G = 2.8 D _{Dr} = 1.2	H = 3.7 K = 3.9 D _{ISO} = 1.8	-	-	3.0	4.6	6.2	-	-	-	-	-	-									
1241846-3	B	1	CuSn4	1																								
1241846-2	A	1	CuFe2	4																								
1241846-1	A	1	CuSn4	4	0.5 - 1.0	1.4 - 2.1	E = 2.5 G = 2.7 D _{Dr} = 1.2	H = 3.2 K = 3.4 D _{ISO} = 1.8	539612-1 539663-2	3.0	4.4	6.4	-	-	-	-	-	-	-									
969079-3	C	1	CuSn4	1																								
969079-2	B	1	CuFe2	4																								
964267-4	A	1	CuSn4	5	0.5 - 1.0	1.4 - 2.1	E = 2.6 G = 2.8 D _{Dr} = 1.2	H = 3.2 K = 3.4 D _{ISO} = 1.8	539651-2	3.0	4.6	7.0	-	-	-	-	-	-	-									
964267-3	D	1	CuSn4	1																								
964267-2	C	1	CuFe2	4																								
964267-1	C	1	CuSn4	4	0.5 - 1.0	1.4 - 2.1	E = 2.1 G = 2.1 D _{Dr} = 0.8	H = 2.9 K = 2.9 D _{ISO} = 1.4	539651-2	2.5	4.6	7.0	-	-	-	-	-	-	-									
963900-4	E	1	CuSn4	1																								
963900-3	E	1	CuSn4	1																								
963900-2	D	1	CuFe2	4	0.35	1.15 - 1.6	E = 2.4 G = 2.3 D _{Dr} = 1.0	H = 2.9 K = 2.9 D _{ISO} = 1.4	539633-2	2.5	4.4	6.4	-	-	-	-	-	-	-									
963900-1	D	1	CuSn4	4																								
963898-3	E	3	CuSn4	1																								
963898-2	D	3	CuFe2	4	0.2 - 0.35	1.15 - 1.6	E = 2.1 G = 2.1 D _{Dr} = 0.8	H = 2.9 K = 2.9 D _{ISO} = 1.4	539612-1 539663-2	2.5	4.4	6.4	-	-	-	-	-	-	-									
963898-1	D	3	CuSn4	4																								
2141882-3	B	2	CuSn4	1																								
2141882-2	A	2	CuFe2	4	0.2 - 0.35	1.15 - 1.6	E = 2.1 G = 2.1 D _{Dr} = 0.8	H = 2.9 K = 2.9 D _{ISO} = 1.4	539612-1 539663-2	2.5	4.4	6.4	-	-	-	-	-	-	-									
964265-5	A	3	CuSn4	5																								
964265-3	D	3	CuSn4	1																								
964265-2	C	3	CuFe2	4																								

- 1 CONTACT AREA SELECTIVE GOLD 0.8µm MIN. OVER NICKEL. WIRE CRIMP AREA ELECTRO TIN PLATED 1µm MIN. OVER NICKEL. Kontaktzone selectiv vergoldet 0.8µm min. ueber Ni. Drahtcrimpbereich gal. verzinkt 1µm min. ueber Ni
- 2 FOR DOUBLE- AND SINGLE TERMINATION fuer Doppel- und Einzelanschlaege
- 3 SINGLE WIRE SEAL TO BE SELECTED ACCORDING TO INSULATION-DIA ACCODING TO APPLICATION SPECIFICATION 114-18082. Auswahl der Eubzeldichtung entsprechend dem Isolationsdurchmesser nach Verarbeitungsspezifikation 114-18082
- 4 TIN PLATED vorverzinkt
- 5 CONTACT AREA SELECTIVE SILVER 3µm MIN. OVER NICKEL. WIRE CRIMP AREA ELECTRO TIN PLATED 1.5µm MIN. OVER NICKEL. Kontaktzone selectiv versilbert 3µm min. ueber Ni. Drahtcrimpbereich gal. verzinkt 1.5µm min. ueber Ni
- 6 DIFFERENT TOOL DETAILS FUNCTION AND HANDLING WITH ALL DETAILS CONTINUOUSLY SUPPLY AFTER AVAILABILITY. Verschiedene Werkzeugausfuehrungen. Funktion und Handhabung bei allen Ausfuehrungen gleich. Lieferung nach Verfuegbarkeit

THIS DRAWING IS A CONTROLLED DOCUMENT.		OWN T.Bersch 11JUN1997	TE Connectivity PRODUCT GROUP DRAWING TAB 1.6 x 0.6 TYPE A Flachstecker 1.6 x 0.6 Typ A
DIMENSIONS: mm		CHK U.Muenk 11JUN1997	
TOLERANCES UNLESS OTHERWISE SPECIFIED: ±0.2		APVD M.Bleicher 02MAR2011	NAME
MATERIAL SEE TABLE sheet 2 siehe Tabelle		FINISH SEE TABLE sheet 2 siehe Tabelle	SIZE CAGE CODE DRAWING NO. RESTRICTED TO
CUSTOMER DRAWING		WEIGHT -	A1 100779 ©=1355055
SCALE 10:1		SHEET 2 OF 2	REV A20

Mouser Electronics

Authorized Distributor

Click to View Pricing, Inventory, Delivery & Lifecycle Information:

[TE Connectivity:](#)

[964267-1](#)