

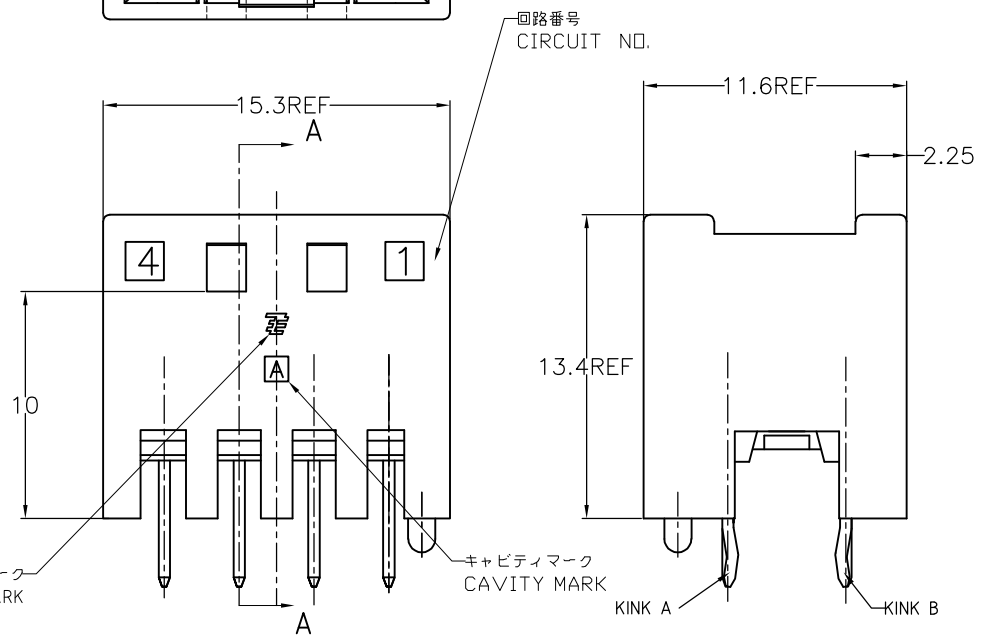
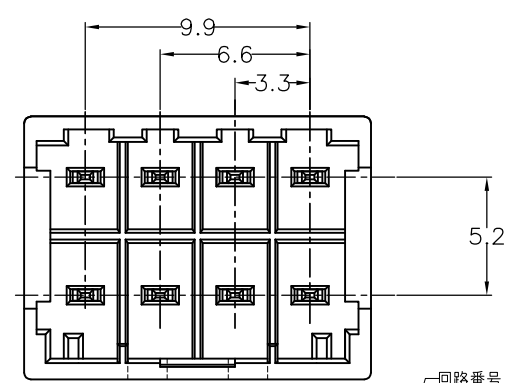
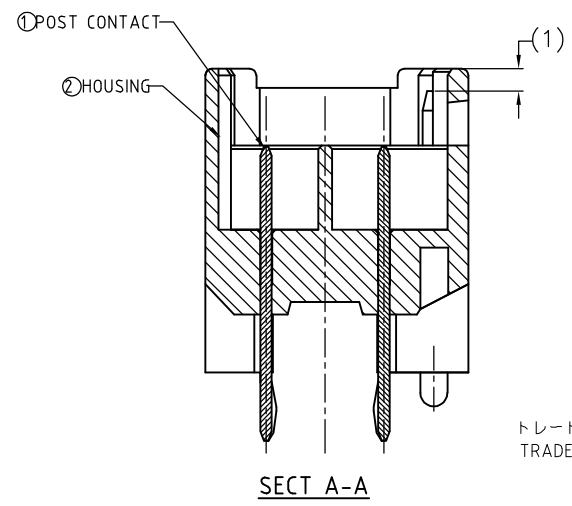
THIS DRAWING IS UNPUBLISHED. RELEASED FOR PUBLICATION
 © COPYRIGHT BY TYCO ELECTRONICS CORPORATION. ALL RIGHTS RESERVED.

LOC	DIST	REVISIONS 変更			
P	LTR	DESCRIPTION	DATE	DWN	APVD
J	—	E1	REVISED PER ECR-10-019980	04OCT10	HMR TM

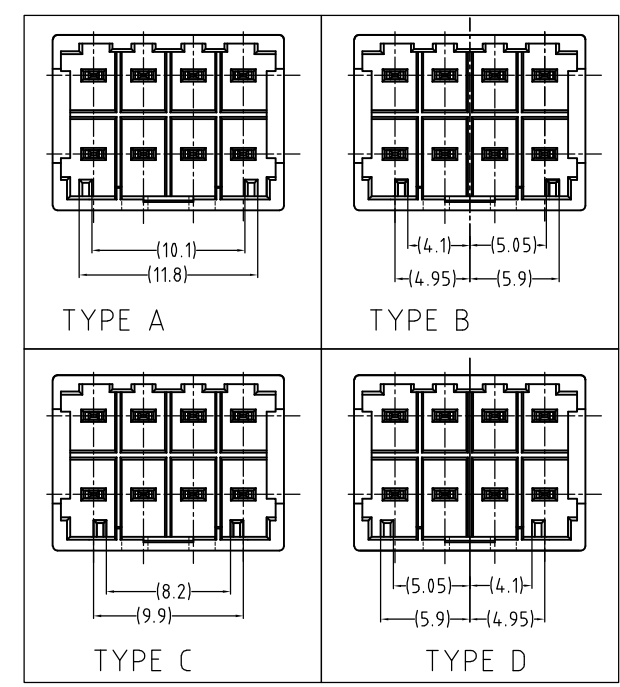
TABLE

②	ヘッダーハウジング (HEADER HOUSING)	6/6ナイロンガラス強化 (6/6 NYLON GRASS FILLED)
①	ポストコンタクト (POST CONTACT)	錫めっき仕上げ 銅合金 (COPPER ALLOY TIN PLATED)
NO.	名称 (NAME)	材料 (MATERIAL)

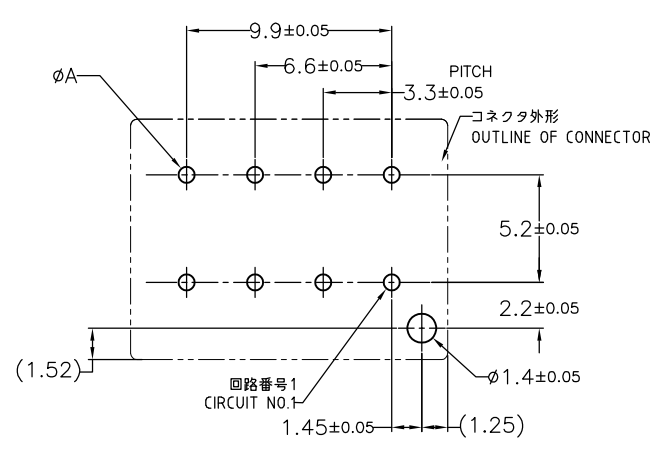
- 注)
 1. 取付穴寸法
 2. 適応基板厚: 1.6t
 3. かん合相手製品型番:
 プラグハウジング: SEE TABLE
- NOTES)
 1. RECOMMENDED P.C.B LAY OUT
 2. APPLICABLE P.C.B. THICKNESS:1.6
 3. MATING CONN. P/N
 PLUG HOUSING :SEE TABLE



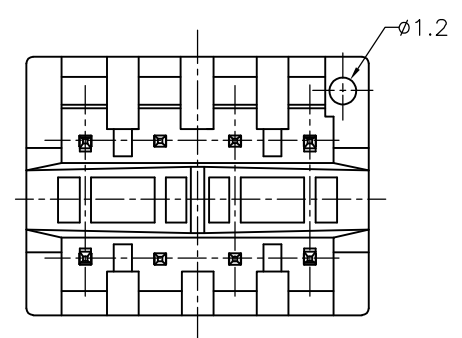
TYPE OF KEYING



PCB. LAYOUT ON RECOMMENDATION



パンチ加工 (PUNCHED HOLE)	0.7 ^{+0.1} ₋₀
ドリル加工 (DRILLED HOLE)	0.8 ±0.05
	A 寸法 DIM. A



*-1827387-3	WITHOUT	TYPE C	BLUE	7-1827393-3	
*-1827387-1	WITHOUT	TYPE A	NATURAL	5-1827393-1	
*-1827387-3	WITH	TYPE C	BLUE	2-1827393-3	
*-1827387-1	WITH	TYPE A	NATURAL	1827393-1	
MATING CONN. P/N	3	KINK	TYPE OF KEYING	COLOR	PART NUMBER

KINK FORM

× CHARACTER S IS STRAIGHT PIN.

8 POS	KINK FORM	B	S	S	B
	CIRCUIT NO.	5	6	7	8
	KINK FORM	A	S	S	A
	CIRCUIT NO.	1	2	3	4

THIS DRAWING IS A CONTROLLED DOCUMENT.

DIMENSIONS: 単位: 耗 mm	TOLERANCES UNLESS OTHERWISE SPECIFIED: 一般公差	DWN T.HATANO 19APR2005	Tyco Electronics AMP K.K. Kawasaki, Japan
	0 PLC ± 0.3	CHK N.YAMASAKI 19APR2005	
	1 PLC ± 0.3	APVD N.YAMASAKI 19APR2005	
	2 PLC ± 0.25	NAME N.YAMASAKI	
MATERIAL 材料 SEE TABLE	FINISH 仕上 —	PRODUCT SPEC 製品規格 108-78231	GRACE INERTIA CONNECTOR 3.3 HEADER ASSEMBLY 8POS
		APPLICATION SPEC 取付適用規格 —	SIZE A3
		WEIGHT —	CAGE CODE 00779
			DRAWING NO 番号 1827393
			RESTRICTED TO —
			SCALE 尺度 3:1
			SHEET 1 OF 1
			REV E1

CUSTOMER DRAWING

Mouser Electronics

Authorized Distributor

Click to View Pricing, Inventory, Delivery & Lifecycle Information:

[TE Connectivity:](#)

[2-1827393-3](#)