

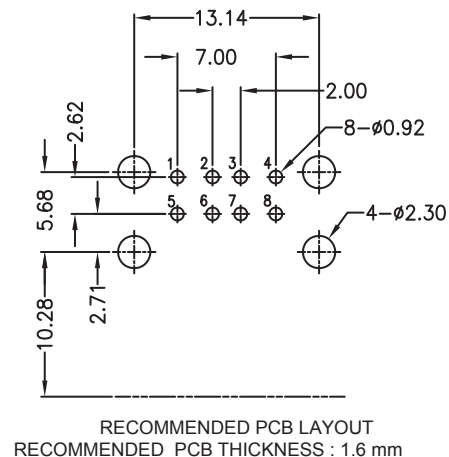
1

2

3

4

5



#### TECHNICAL CHARACTERISTICS

**MATERIAL**  
 INSULATOR: PBT  
 FLAMMABILITY RATING: UL94-V0  
 COLOR: WHITE  
 CONTACT MATERIAL: COPPER ALLOY  
 CONTACT TYPE: STAMPED  
 CONTACT PLATING: SELECTIVE GOLD  
 SHIELDING: BRASS Ni PLATED  
 QUALITY CLASS: 1500 MATING CYCLES

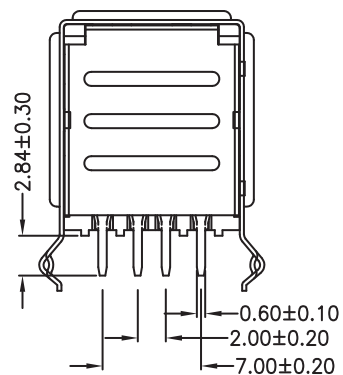
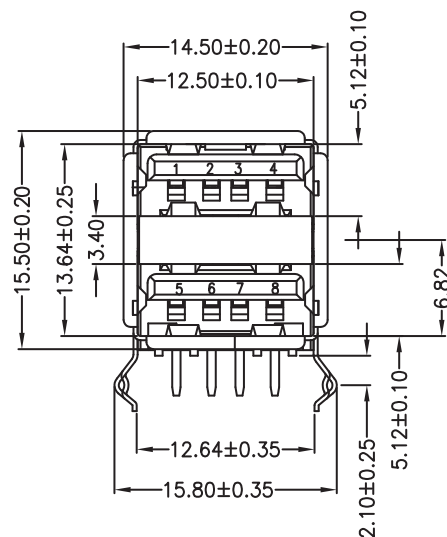
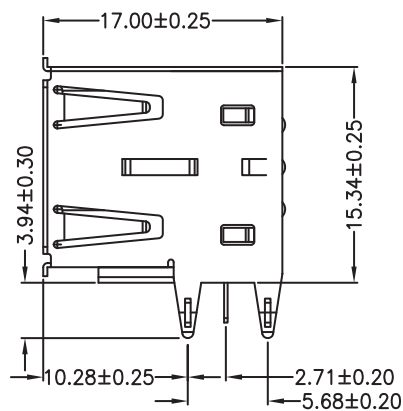
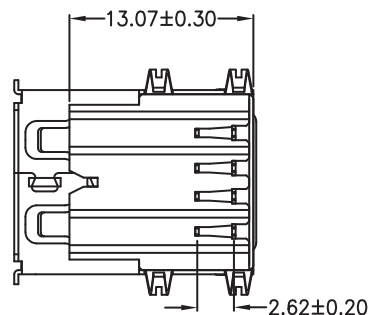
**ENVIRONMENTAL**  
 OPERATING TEMPERATURE: -40°C UP TO +105°C  
 COMPLIANCE: LEAD FREE AND ROHS

**ELECTRICAL**  
 CURRENT RATING: 1.5 A  
 WORKING VOLTAGE: 30 V  
 INSULATOR RESISTANCE: >1000 MΩ  
 DIELECTRIC WITHSTANDING VOLTAGE: 750 VAC/MIN  
 CONTACT RESISTANCE: 20 mΩ MAX

**STANDARD**  
 CERTIFIED: E323964

**SOLDERING**  
 JEDEC LEAD FREE WAVE SOLDERING

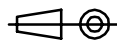
**PACKAGING**  
 TRAY



RoHS Compliant

N	03-OCT-17	TPK	AK	PROJECTION: 
M	09-AVR-15	PCB THICKNESS	QP	
L	27-OCT-14	REVIEW	QL	
K	23-MAY-13	CURRENT RATING	QL	
J	15-FEV-13	DESIGNATION	AR	
I	25-SEP-12	DESCRIPTION	GG	APPROVAL: NPr
H	09-JAN-12	NEW DRAWING	GG	
REV	DATE	FILE	BY	

PROJECTION:



GENERAL TOLERANCE

.X = +/- 0.2

.XX = +/- 0.15



UNIT: MM

SCALE:

SHEET: 1/3

DRAW: NPr

DESCRIPTION: DUAL USB 2.0 TYPE A HORIZONTAL

WERI PART NO: 614 008 260 21

SIZE

A4

A

B

C

D

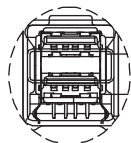
1

2

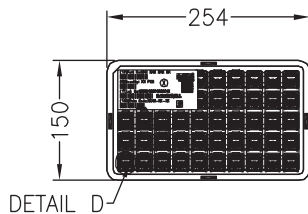
3

4

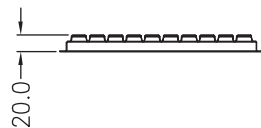
5



DETAIL D

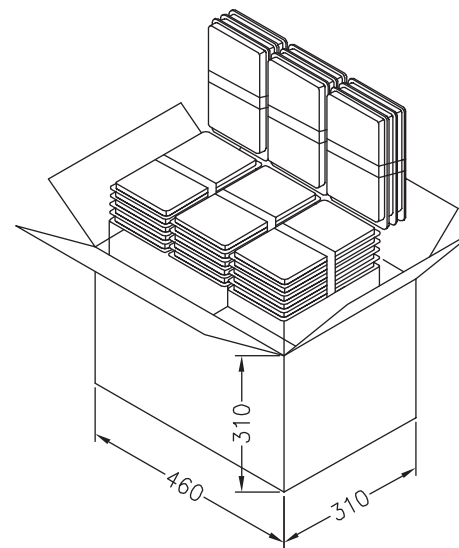
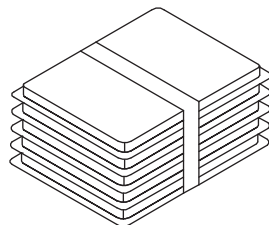


DETAIL D



Box size: 150\*254\*20mm

Flat 5 Tray/pile  
Vertical 3 Tray/pile




Carton Size: 460\*310\*310mm

50 pcs/tray  
56 trays/carton  
2800 pcs/carton

RoHS Compliant

G			
F			
E			
D			
C			
B			
A			
REV	DATE	FILE	BY

PROJECTION:



GENERAL TOLERANCE  
.X = +/- 0.2  
.XX = +/- 0.15



APPROVAL: NPr

UNIT: MM  
SCALE:  
SHEET: 2/3  
DRAW: AK

DESCRIPTION: DUAL USB 2.0 TYPE A HORIZONTAL  
WERI PART NO: 614 008 260 21

SIZE  
**A4**

A

B

C

D

1

2

3

4

5

## Cautions and Warnings:

This electronic component is designed and developed with the intention for use in general electronics equipments.

Before incorporating the components into any equipments in the field such as aerospace, aviation, nuclear control, submarine, transportation, (automotive control, train control, ship control), transportation signal, disaster prevention, medical, public information network etc. where higher safety and reliability are especially required or if there is possibility of direct damage or injury to human body, Würth Elektronik must be asked for a written approval.

In addition, even electronic component in general electronic equipments, when used in electrical circuits that require high safety, reliability functions or performance, the sufficient reliability evaluation-check for the safety must be performed before by the user before usage.

A

B

C

RoHS Compliant

G				PROJECTION: 	GENERAL TOLERANCE .X = +/- 0.2 .XX = +/- 0.15		
F							
E							
D							
C				APPROVAL: JC	UNIT: MM	DESCRIPTION: DISCLAIMER	SIZE <b>A4</b>
B					SCALE:		
A	10-SEP-14	PDF	QL		SHEET: 3/3	WERI PART NO: DISCLAIMER	
REV	DATE	FILE	BY		DRAW: QL		

D

# Mouser Electronics

Authorized Distributor

Click to View Pricing, Inventory, Delivery & Lifecycle Information:

[Wurth Electronics:](#)

[61400826021](#)