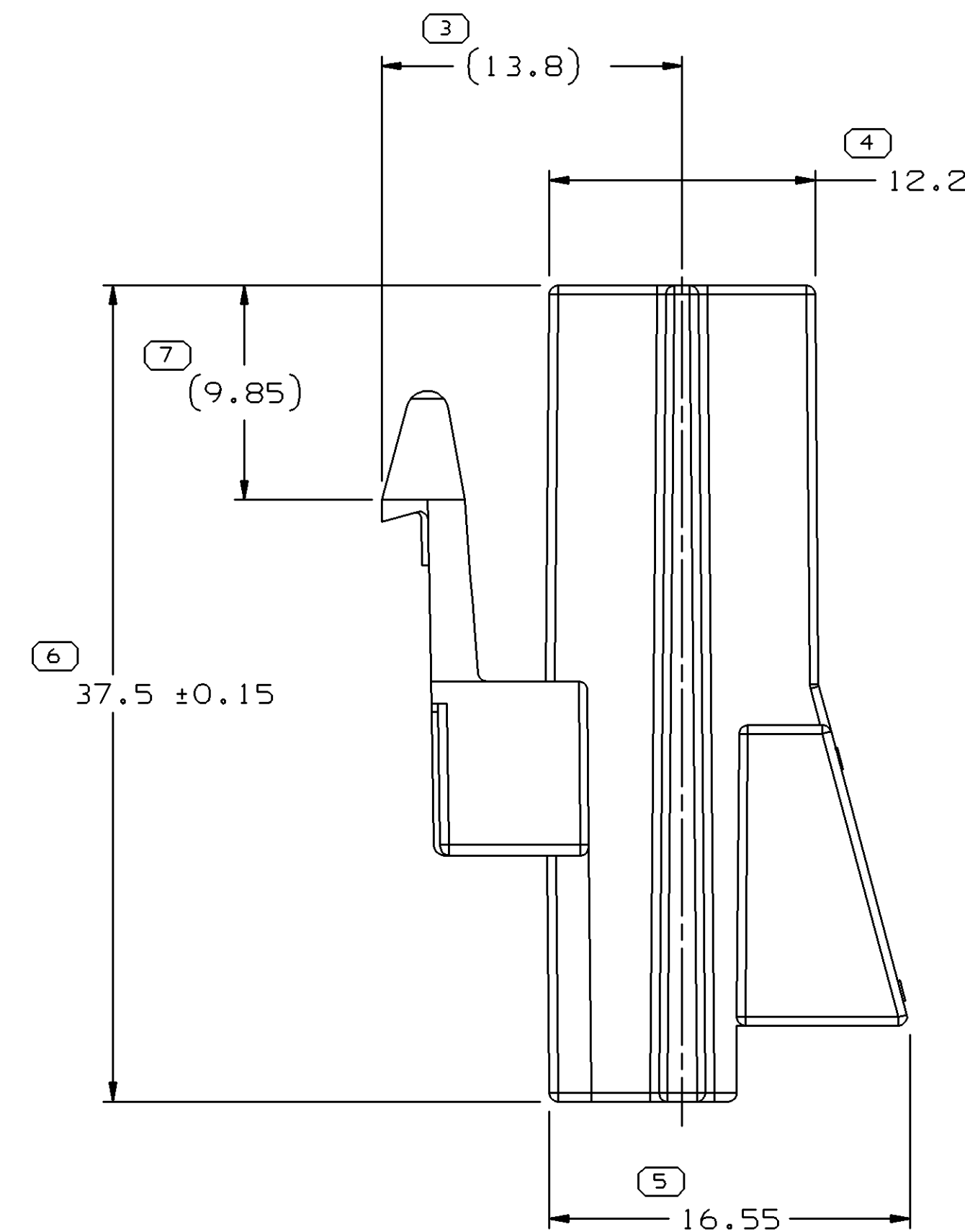
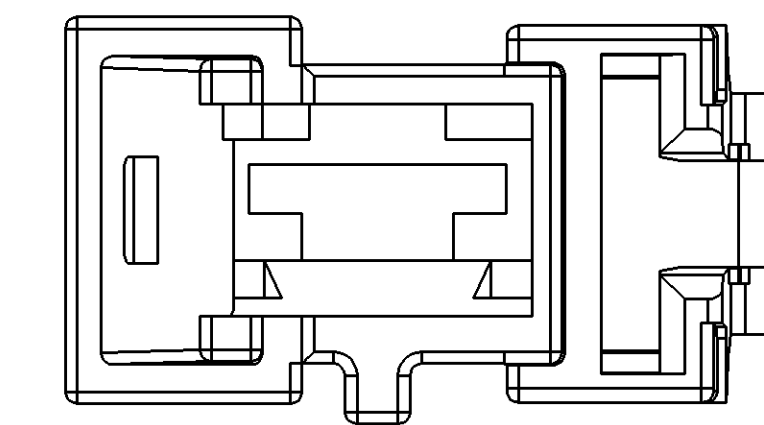
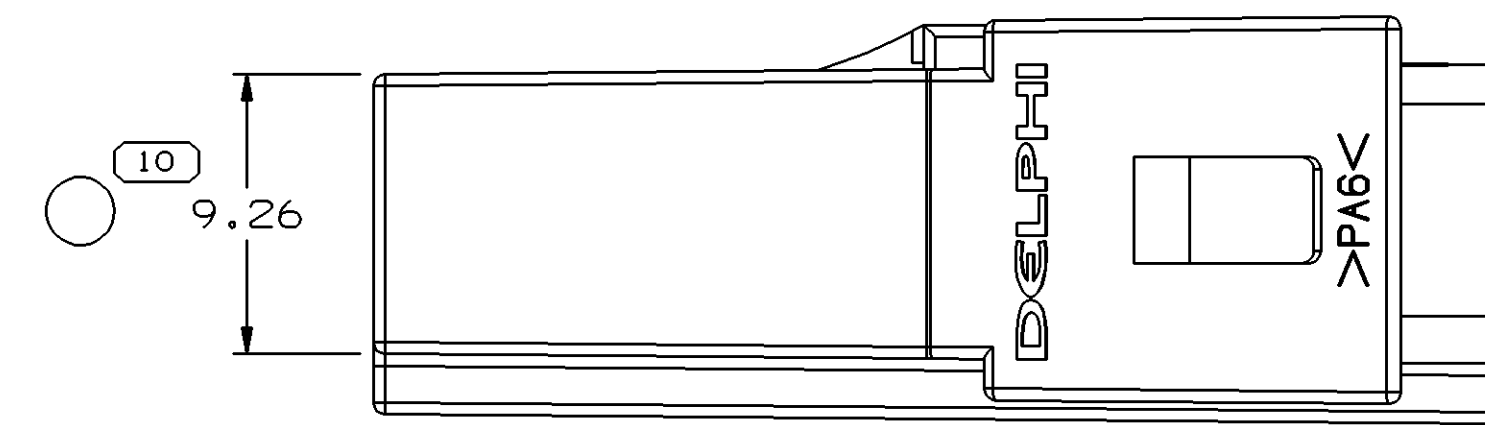
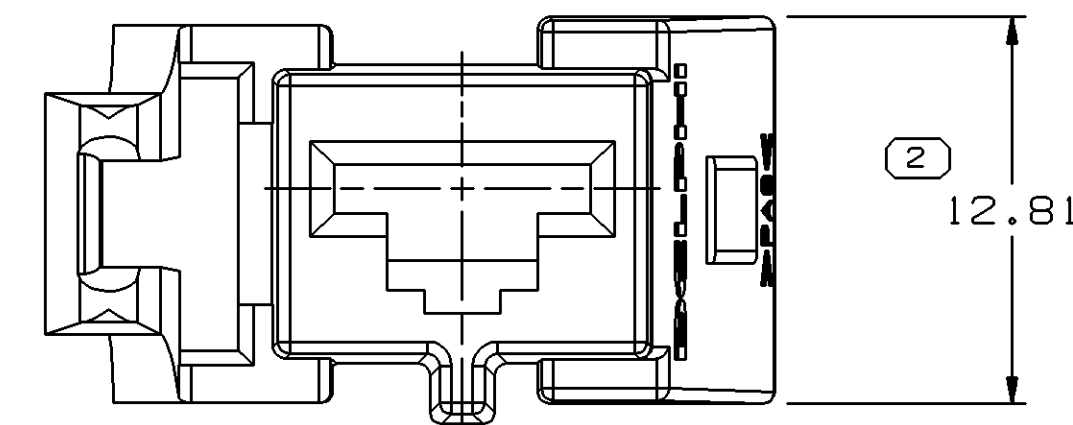
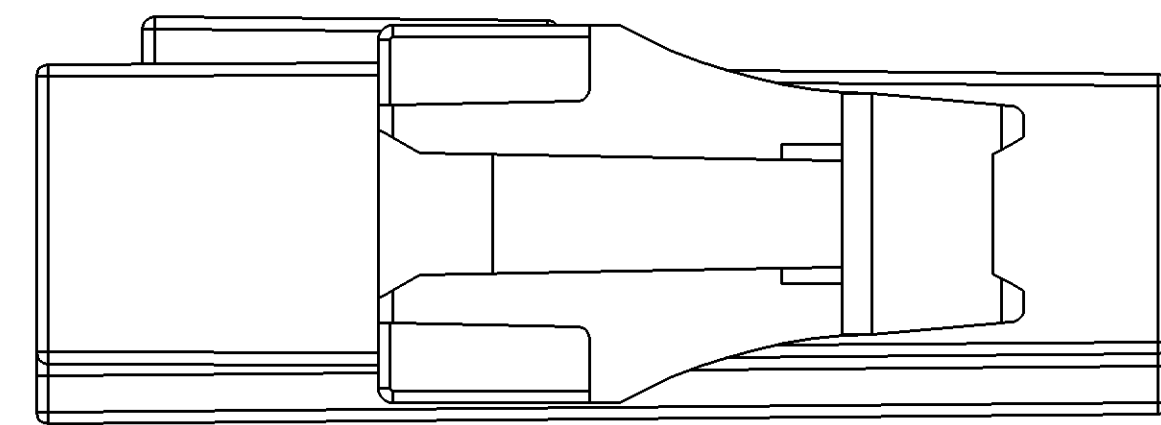
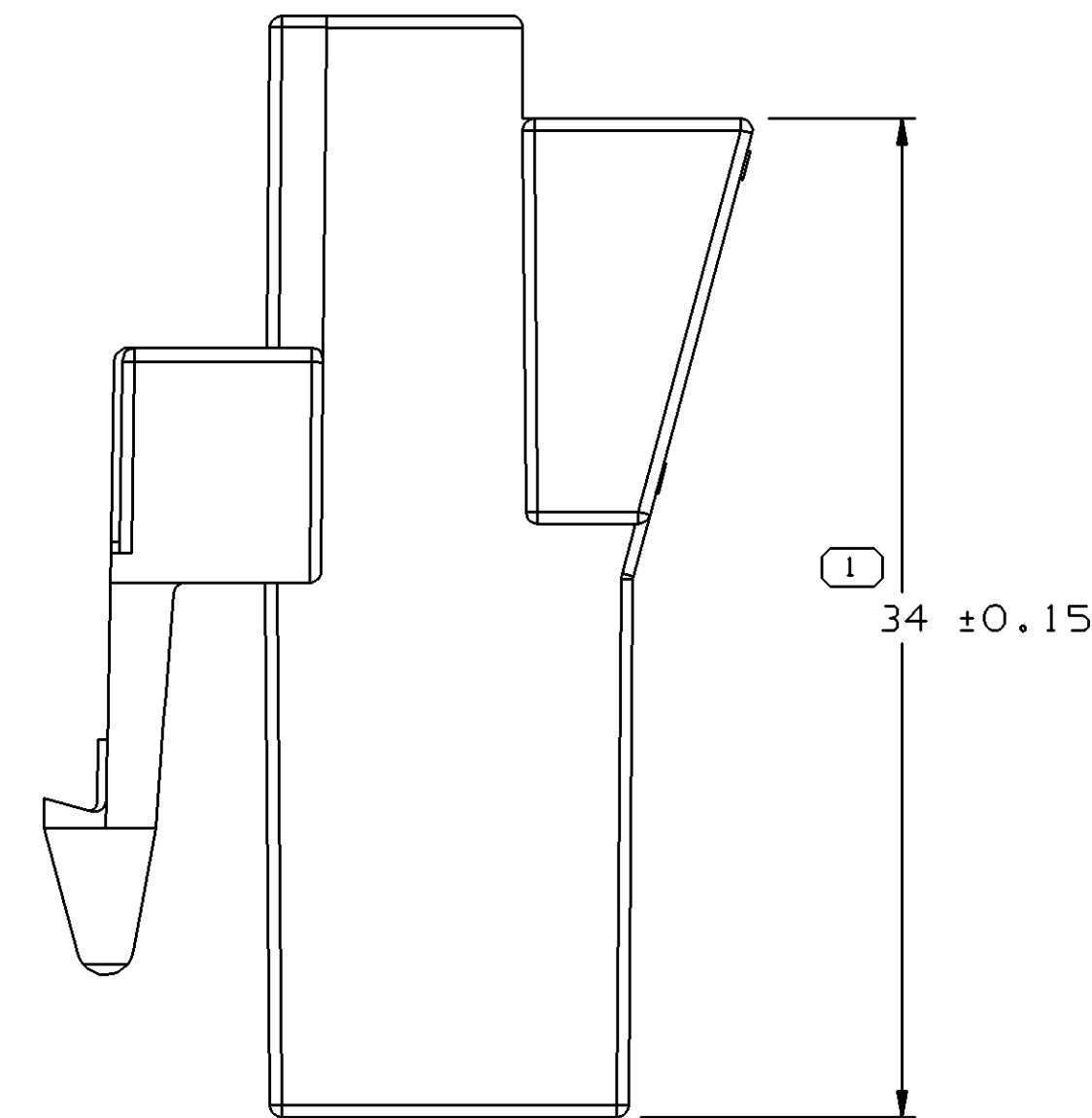


OPTIONAL CONSTRUCTION

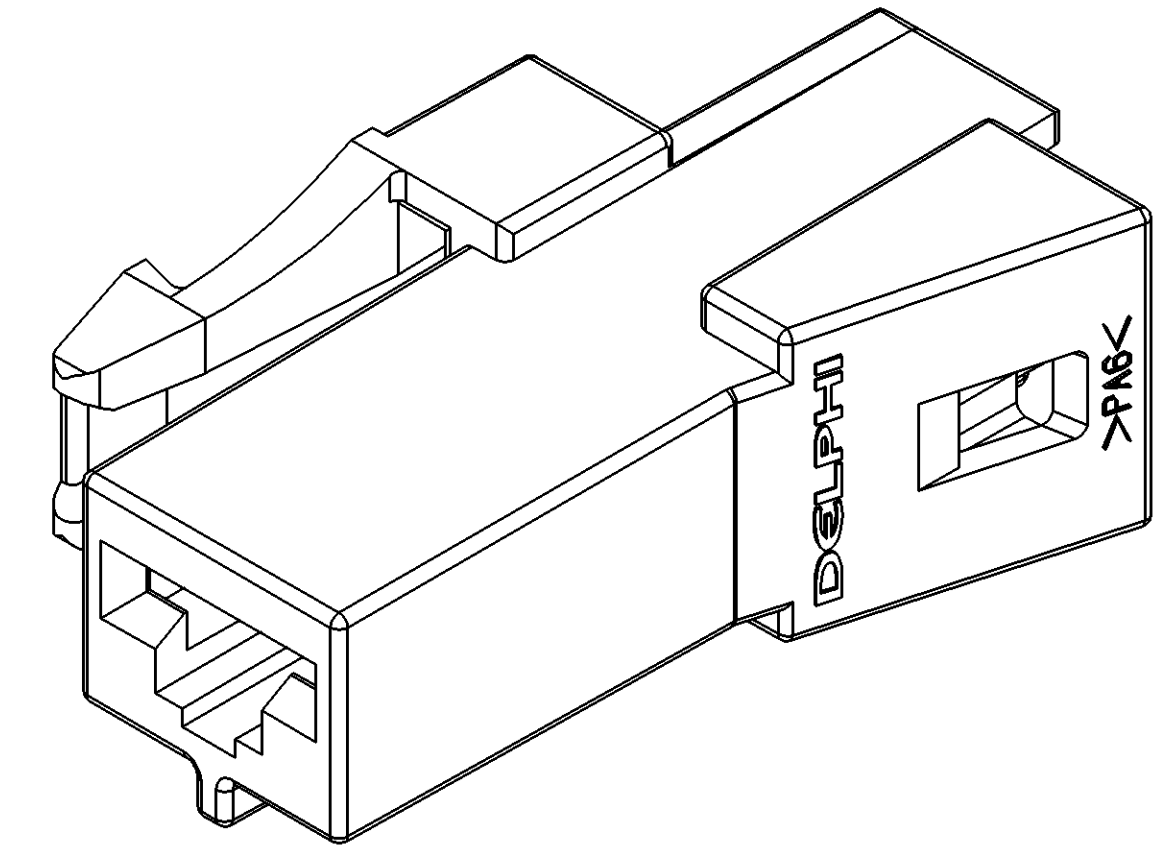
(4) EJECTOR PIN PADS LOCATED AS SHOWN



SYMBOL DEFINITION		MISSING SYMBOLS	
A DIMENSION WITHOUT AN INSPECTION REPORT SYMBOL DOES NOT REQUIRE INSPECTION. IT MAY BE CONTROLLED ON THE INDIVIDUAL COMPONENT DRAWING.	TOTAL NO OF INSPECTIONS REQUIRED	NO MISSING SYMBOL NUMBER	
	10		
	LAST NO. USED		
	10		

DWO STATUS				REVISION HISTORY				AUTH	DR	APVD	APVD
DATE	STG	REV	W/P	CHG	ZONE						
27JN94	R	A	-	-	-	WAS PE040894 & RELEASED	940005	FDS	FDS	JF	
25NO94	R	A1	-	-	-	ADDED OPTIONAL CONSTRUCTION	165058	ALM	RPC		
01JN95	R	B	-	-	-	REVISED	166168	CTC	MVA		
31JL95	R	C	-	-	-	REVISED CABLE HOUSING LENGTH, TPA LOCK WINDOW AND CAVITY DIM'S	167413	JVM	AUG		
31JL95	R	C1	-	-	-	REVISED	167465	JVM	AUG		
27SE95	R	C2	-	-	-	REVISED NOTE #2 AND ADDED NOTE #4	168165	HBT	JOS		
23NO95	R	C3	-	-	-	REVISED	169028	MM	MVA		
17AUG05	R	C4	-	-	-	ADDED 9.26	270574	DAD	DAD	BDG	

- NOTES
- UNLESS OTHERWISE SPECIFIED AND/OR INDICATED:
DIMENSIONS ARE TO FACE OF VIEW SHOWN AND AUTOMATICALLY ROUNDED BY COMPUTER FOR INSPECTION (SEE MATH MODEL FOR PRECISE DIMENSIONS). FOR ALL OTHER DIMENSIONS NOT SHOWN BUT REQUIRED FOR TOOL BUILD, SEE MATH MODEL FOR PRECISE TOOL PATH DATA.
 - MATERIAL RECYCLING CODE PER ISO 11469. (1.0)X(0.1) CHARACTERS AS SHOWN TO BE LOCATED ON ANY EXTERIOR SURFACE. OPTIONAL CONSTRUCTION TO BE NO RECYCLE CODE.
 - REFERENCE MATING COMPONENTS OR EQUIVALENT:
CONNECTOR 12160894
 - THIS PART ACCEPTS THE FOLLOWING COMPONENTS OR EQUIVALENT:
TERMINAL 12092445
MAX INSULATION CRIMP MUST BE LESS THAN 6.90 HIGH AND 8.75 WIDE.
SECONDARY TERMINAL LOCK 12191159
CONNECTOR POSITION ASSURANCE LOCK 12052834
 - (1.0)X(0.1) DELPHI CORPORATE BRAND TO BE LOCATED ON ANY EXTERIOR SURFACE, PREFERABLY VISIBLE AT FINAL ASSEMBLY. OPTIONAL CONSTRUCTION FOR EXISTING TOOLING MAY BE "PED" OR NO LOGO.



DWO TYPE		PART DRAWING	
STYLE		DISTR CODE	D
VOLUME (CP)	2,894		
UNLESS OTHERWISE SPECIFIED			
THIS DOCUMENT IS IN ACCORDANCE WITH ASME Y14.5M-1994 AS AMENDED BY THE 2003 SUPPLEMENT. DIMENSIONS AND TOLERANCING ADDENDUM-2003. SEPARATE PATTERNING OF FEATURES MAY BE OBTAINED SEPARATELY. REWORK OF DATUM REFERENCES.			
ALL DIMENSIONS ARE IN MILLIMETERS			
REFERENCE		12160893 "AO" SIZE	
DIMENSIONAL RANGE (MM)		CHART ET	
FROM	TO	FROM	TO
0	20	0	20
20	30	20	30
30	70	30	70
70	100	70	100
100	150	100	150
150	200	150	200
200	250	200	250
250	300	250	300
300	400	300	400
TOLERANCE UNLESS OTHERWISE SPECIFIED		ANGULAR TOLERANCE 12°	
±0.15	±0.2	±0.3	±0.4
±0.4	±0.5	±0.6	±0.8
±1	±1.2		

DELPHI
DELPHI PACKARD ELECTRIC SYSTEMS
WARREN, OH

DR	DATE
APVD1 F.D. SILVIO	27JN94
APVD2 F.D. SILVIO	27JN94
APVD3 J. PERCHAK	18JL94
APVD4	
APVD5	

SUBSTANCES OF CONCERN AND RECYCLED CONTENT PER DELPHI 10949001

MATERIAL M3596002 PA6 BLK

DRAWING NAME
CONN I F MAXI BLK

DRAWING NUMBER
12160893

SIZE AO SCALE 4:1 FRAME NO 1 OF 1 SHEET NO 1 OF 1 STG REV W/P

Mouser Electronics

Authorized Distributor

Click to View Pricing, Inventory, Delivery & Lifecycle Information:

[Aptiv:](#)

[12160893](#)