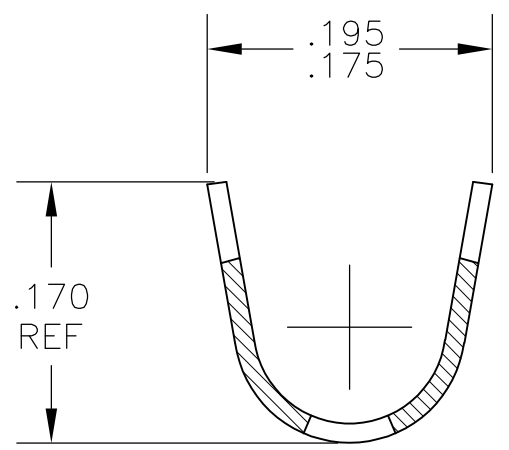
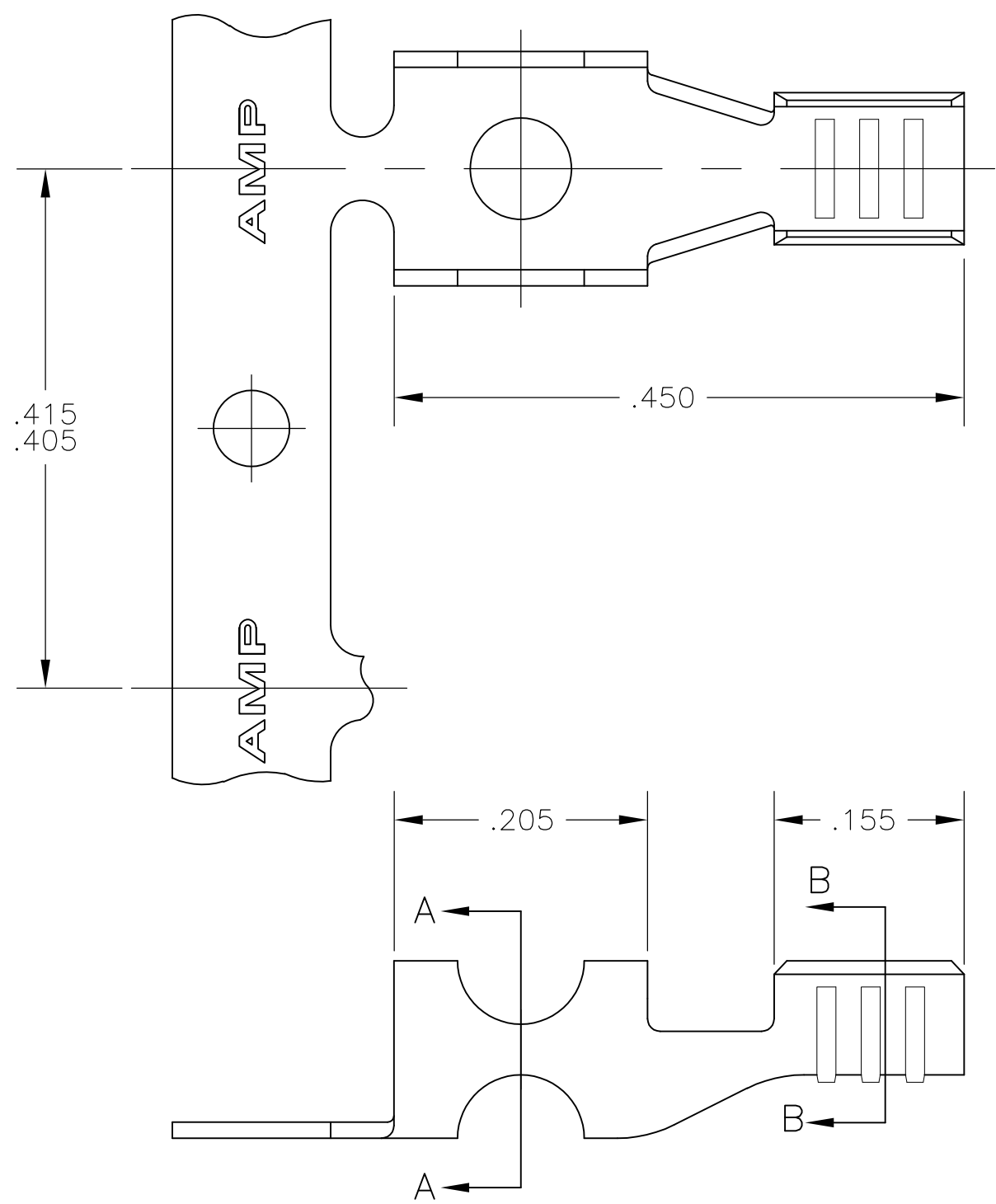
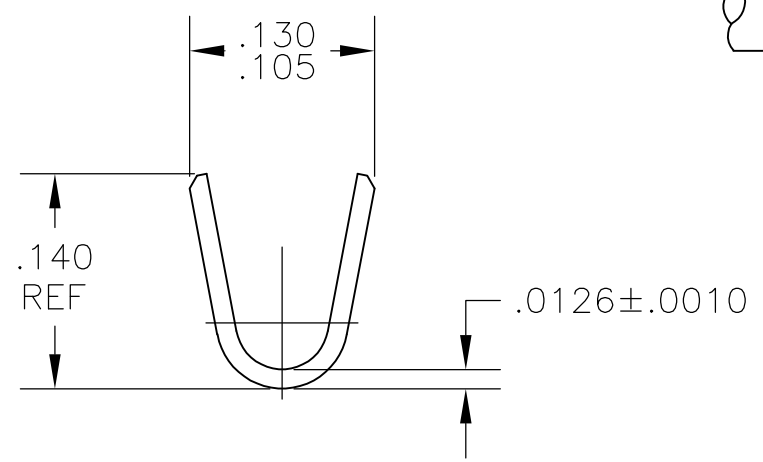


THIS DRAWING IS UNPUBLISHED. RELEASED FOR PUBLICATION
 © COPYRIGHT - BY TYCO ELECTRONICS CORPORATION. ALL RIGHTS RESERVED.

LOC	DIST	REVISIONS					
AF	50	P	LTR	DESCRIPTION	DATE	DWN	APVD
			E1	ECR-07-010352(REDRAWN IN AUTOCAD)	23FEB07	HMR	GP

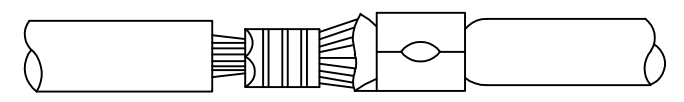


SECTION A-A

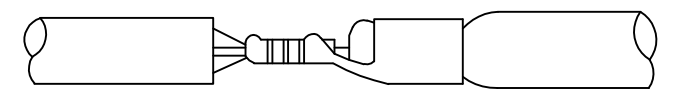


SECTION B-B

- 1 CONTINUOUS STRIP ON REELS.
- 2 WIRE RANGE: 1600 TO 4100 CMA
- 3 INSULATION RANGE: .105 - .145 DIA.



THROUGH CONNECTION



OBSOLETE	.000080 MIN TIN	60806-2
	NONE	60806-1
	FINISH	PART NO

THIS DRAWING IS A CONTROLLED DOCUMENT.		DWN	RAGHAVENDRA	23FEB07	tyco Electronics	Tyco Electronics Corporation Harrisburg, Pa 17105-3608		
DIMENSIONS: INCHES		CHK	G.D.PORTA	23FEB07		NAME		
TOLERANCES UNLESS OTHERWISE SPECIFIED:		APVD	G.D.PORTA	23FEB07	PRODUCT SPEC			
0 PLC ± -		APPLICATION SPEC			SPLICE			
1 PLC ± -		WEIGHT			RESTRICTED TO			
2 PLC ± -		SIZE			CAGE CODE			
3 PLC ± .010		DRAWING NO			A3 00779 C-60806			
4 PLC ± -		SCALE			8:1			
ANGLES ± -		SHEET			1 OF 1			
MATERIAL		CUSTOMER DRAWING			REV			
O81 BRASS		SEE TABLE			E1			

Mouser Electronics

Authorized Distributor

Click to View Pricing, Inventory, Delivery & Lifecycle Information:

[TE Connectivity:](#)

[60806-1](#)