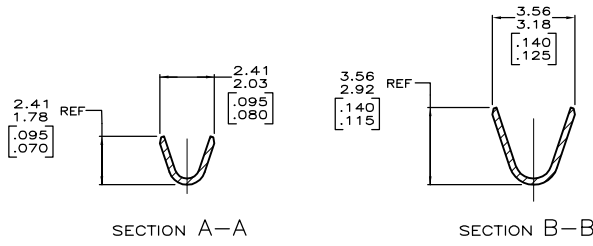
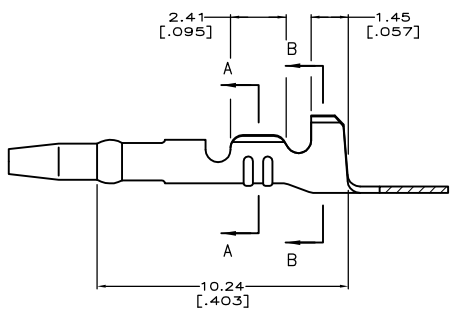
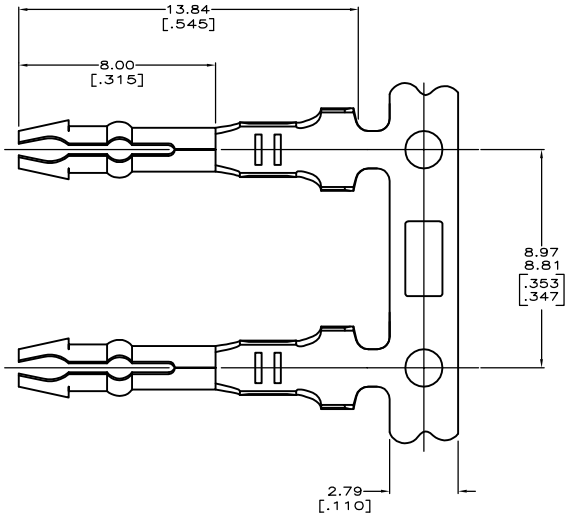
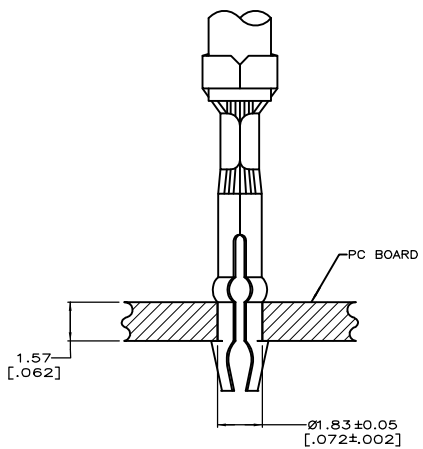


THIS DRAWING IS UNPUBLISHED.
 RELEASED FOR PUBLICATION
 © COPYRIGHT - TE Connectivity ALL RIGHTS RESERVED

REVISIONS					
P.	LN.	DESCRIPTION	DATE	BY	APP.
A12		REVISED PER ECR-17-013047	12SEP2017	J.Z	D.Z

△ NOTE DELETED.

- PARTS COMPLY WITH AMP SOLDERABILITY SPEC 109-11-3.
- WIRE RANGE: 0.3 - 0.6 mm² (22 - 20 AWG).
- INSULATION RANGE: 2.54 [.100] DIA MAX.
- DIMENSIONS IN BRACKETS ARE IN INCHES.



MINI	PRE TIN	0.25 [.010] BRASS	3-42642-3
MINI	PRE TIN-LEAD	0.25 [.010] BRASS	42642-3
APPLICATOR TYPE	FINISH	MATERIAL	PART NUMBER

THIS DRAWING IS A CONTROLLED DOCUMENT. BY: X. WHITAKER 11/04/2008
 OTHERWISE SPECIFIED: BY: X. WHITAKER 11/04/2008
 BY: X. WHITAKER 11/04/2008

METRIC

TE Connectivity
 TERMINAL, AMP-IN(TM)

APPLICATOR TYPE: MINI
 FINISH: PRE TIN-LEAD
 MATERIAL: 0.25 [.010] BRASS
 PART NUMBER: 3-42642-3

WEIGHT: 0.000000
 SIZE: A1
 CASE CODE: 00779
 DRAWING NO: 42642
 CUSTOMER DRAWING

SCALE: 10:1
 SHEET: 1 of 1
 REV: A12

Mouser Electronics

Authorized Distributor

Click to View Pricing, Inventory, Delivery & Lifecycle Information:

[TE Connectivity:](#)

[42642-3](#)