

4

3

2

1

THIS DRAWING IS UNPUBLISHED.

RELEASED FOR PUBLICATION

2010

© COPYRIGHT 2010 BY -

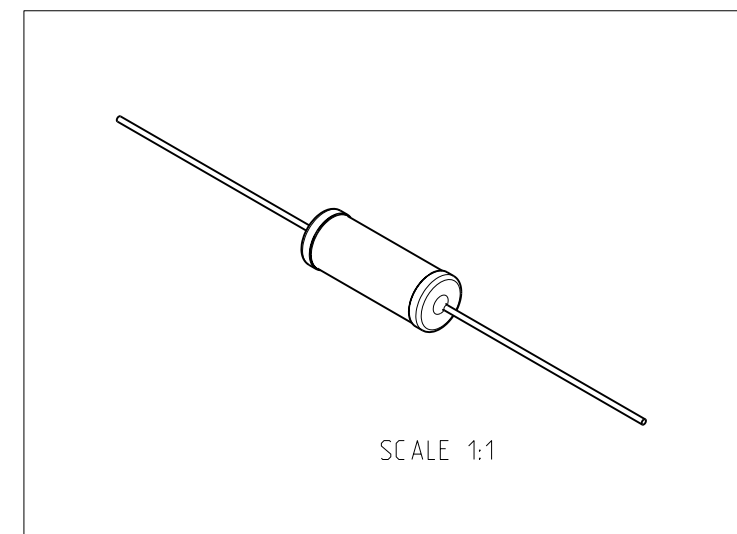
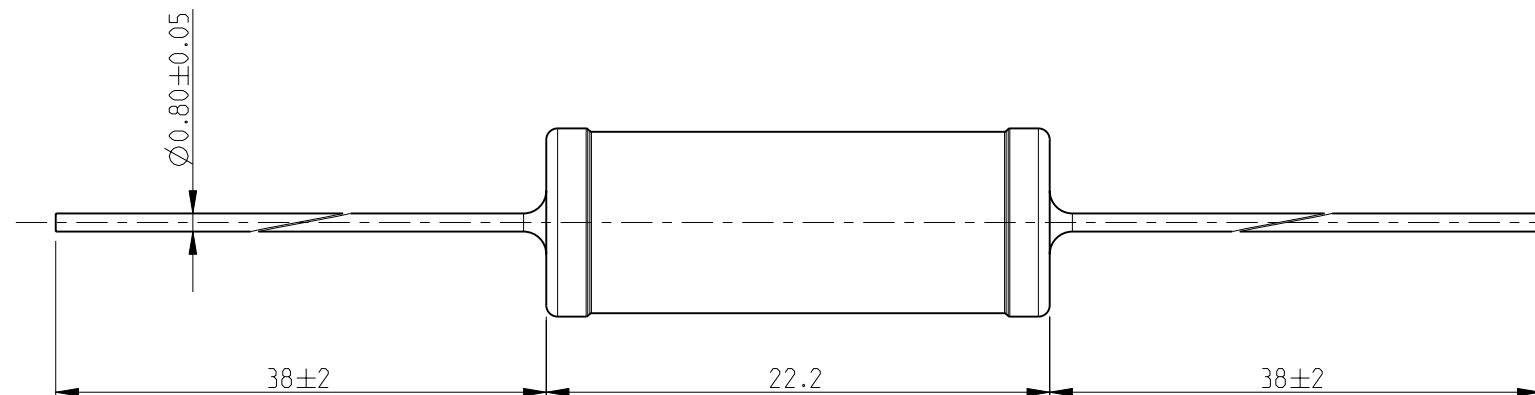
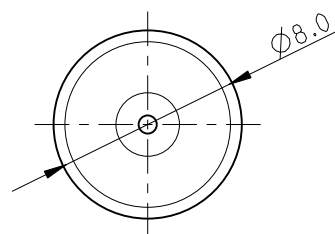
ALL RIGHTS RESERVED.

LOC E DIST B

REVISIONS

P	LTR	DESCRIPTION	DATE	DWN	APVD
	BA1	REVISED PER ECO-11-005150	29MAR2011	RK	HMR

FOR FURTHER INFORMATION SEE DATA SHEET FOR SERIES ER/ERV- HIGH POWER RESISTORS



RoHS Compliant

THIS DRAWING IS A CONTROLLED DOCUMENT.

DWN MAHARUDRA 11-FEB-10
 CHK ALLAN.P 11-FEB-10
 APVD STEPHEN.P 11-FEB-10

STE TE Connectivity

DIMENSIONS:	TOLERANCES UNLESS OTHERWISE SPECIFIED:
mm	
0 PLC	± 0.2
1 PLC	± 0.1
2 PLC	$\pm -$
3 PLC	$\pm -$
4 PLC	$\pm -$
ANGLES	$\pm 5^\circ$

MATERIAL - FINISH -

PRODUCT SPEC -
 APPLICATION SPEC -
 WEIGHT -

NAME HIGH POWER RESISTORS SERIES ER58

SIZE A3 CAGE CODE 00779 DRAWING NO. 1623750 RESTRICTED TO -

CUSTOMER DRAWING SCALE 3:1 SHEET 1 OF 1 REV BA1

Mouser Electronics

Authorized Distributor

Click to View Pricing, Inventory, Delivery & Lifecycle Information:

[TE Connectivity:](#)

[ER58220RJT](#)