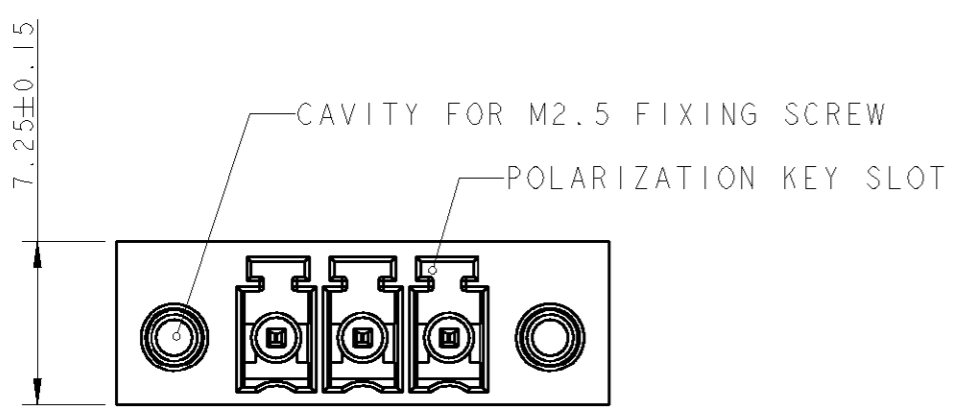
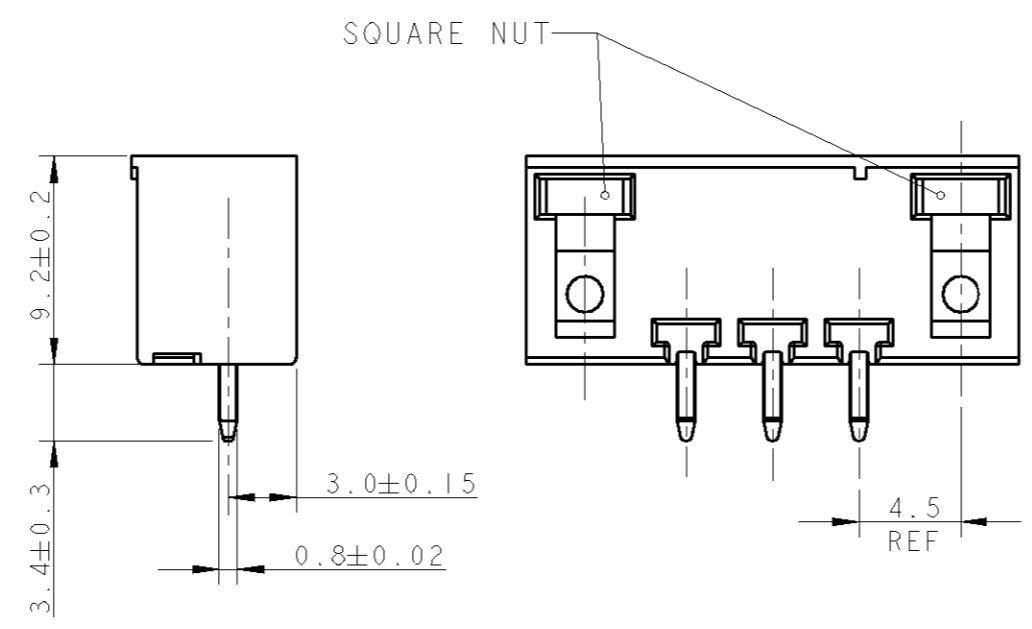
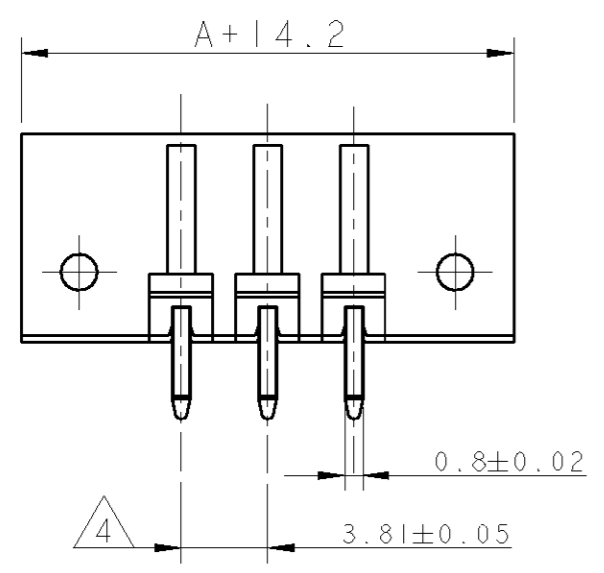
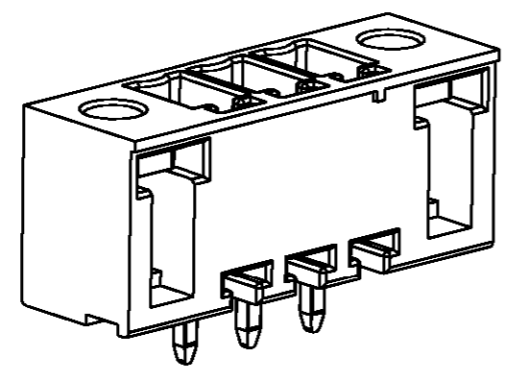


THIS DRAWING IS UNPUBLISHED. RELEASED FOR PUBLICATION 20
 © COPYRIGHT BY ALL RIGHTS RESERVED.

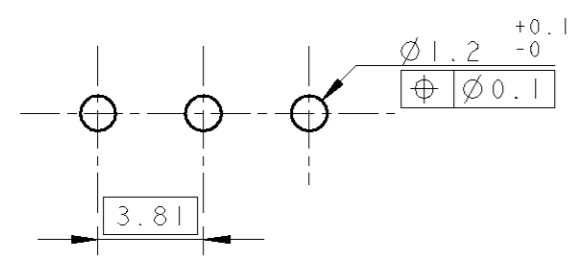
LOC	DIST	REVISIONS			
P	LTR	DESCRIPTION	DATE	DWN	APVD
FT	0	B1 REVISED PER ECO-11-005294	30APR11	RK	HMR



- 1 MATERIALS AND FINISH
 HOUSING : PA 6.6, UL 94-V0, COLOR GREEN
 TERMINAL : PHOSPHOR BRONZE, TIN PLATED
- 2 CONNECTOR ASSEMBLY INCLUDED 2 SQUARE NUTS LOADED IN CAVITY
- 3 SUITABLE FOR 1.6-2.4 mm. PC BOARD THICKNESS
- 4 NOT CUMULATIVE TOLERANCE



RECOMMENDED PC BOARD LAYOUT



DIM A	NO OF POS	PART NUMBER
83.82	23	2-284519-3
80.01	22	2-284519-2
76.20	21	2-284519-1
72.39	20	2-284519-0
68.58	19	1-284519-9
64.77	18	1-284519-8
60.96	17	1-284519-7
57.15	16	1-284519-6
53.34	15	1-284519-5
49.53	14	1-284519-4
45.72	13	1-284519-3
41.91	12	1-284519-2
38.10	11	1-284519-1
34.29	10	1-284519-0
30.48	9	284519-9
26.67	8	284519-8
22.86	7	284519-7
19.05	6	284519-6
15.24	5	284519-5
11.43	4	284519-4
7.62	3	284519-3
3.81	2	284519-2

DIMENSIONS: mm 		TOLERANCES UNLESS OTHERWISE SPECIFIED: 0 PLC ±- 1 PLC ±.3 2 PLC ±.25 3 PLC ±- 4 PLC ANGLES ±- ±2		DWN 07FEB2002 E. ZANOLINI CHR 07FEB2002 E. ZANOLINI APVD 07FEB2002 D. BIEVENOUR PRODUCT SPEC 108-20166 APPLICATION SPEC 114-20079 WEIGHT -			
MATERIAL		FINISH		NAME TERMINAL BLOCK HEADER ASSEMBLY STRAIGHT, 3.81mm PITCH WITH THREADED FLANGE		SIZE A3 CAGE CODE 00779 DRAWING NO C-284519 RESTRICTED TO -	
CUSTOMER DRAWING				SCALE 3:1		SHEET 1 OF 1 REV B1	

Mouser Electronics

Authorized Distributor

Click to View Pricing, Inventory, Delivery & Lifecycle Information:

[TE Connectivity:](#)

[284519-2](#)