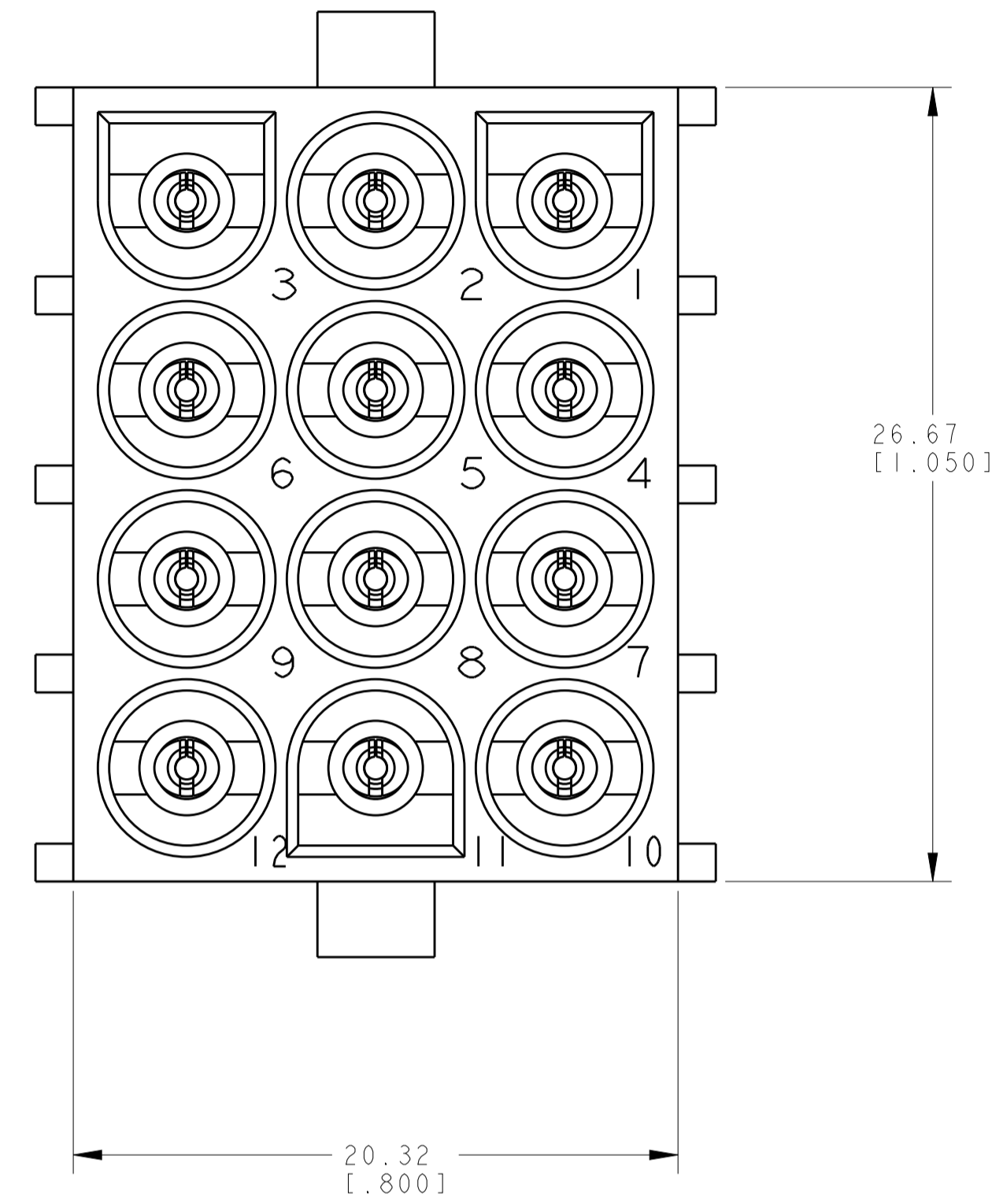
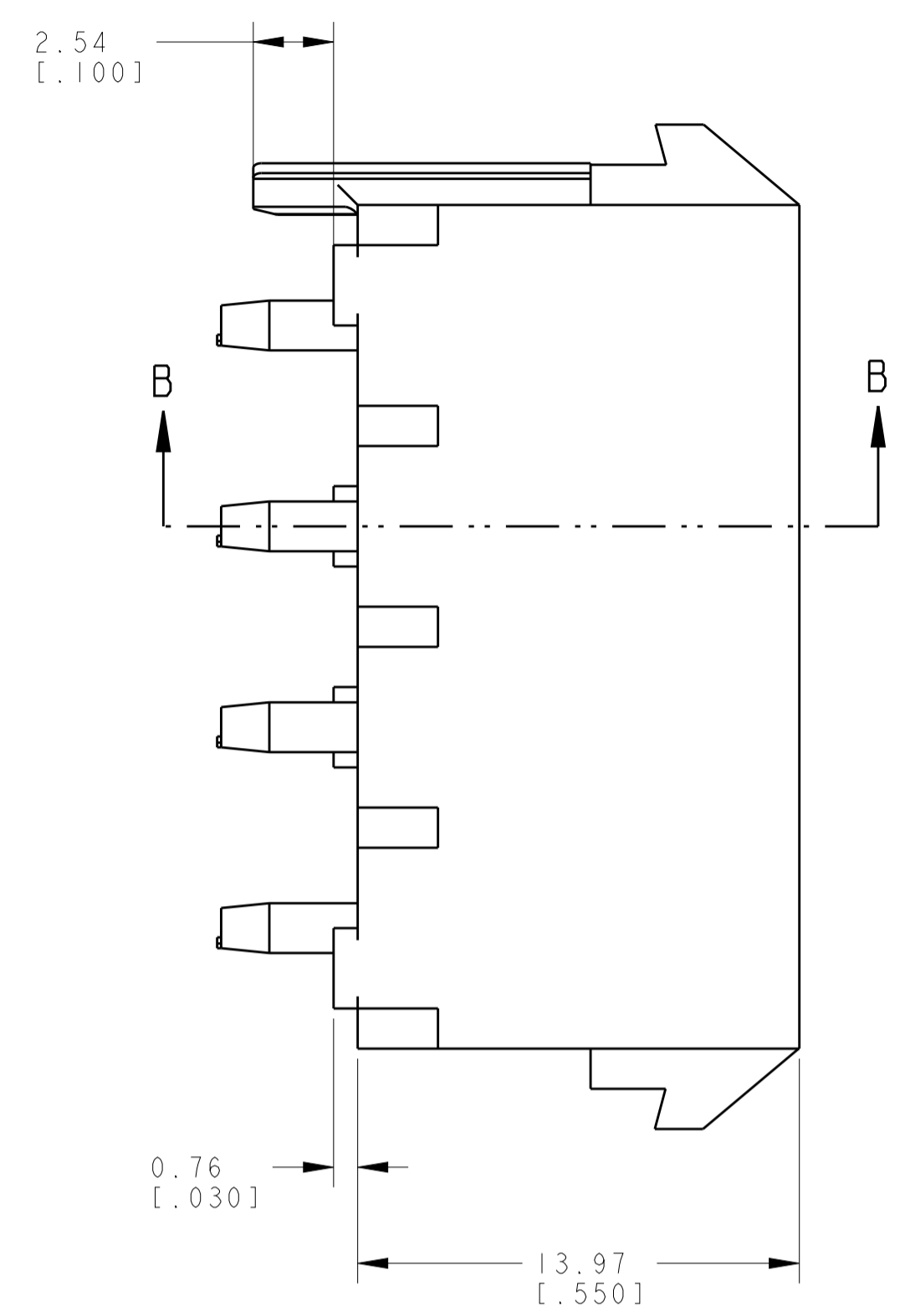
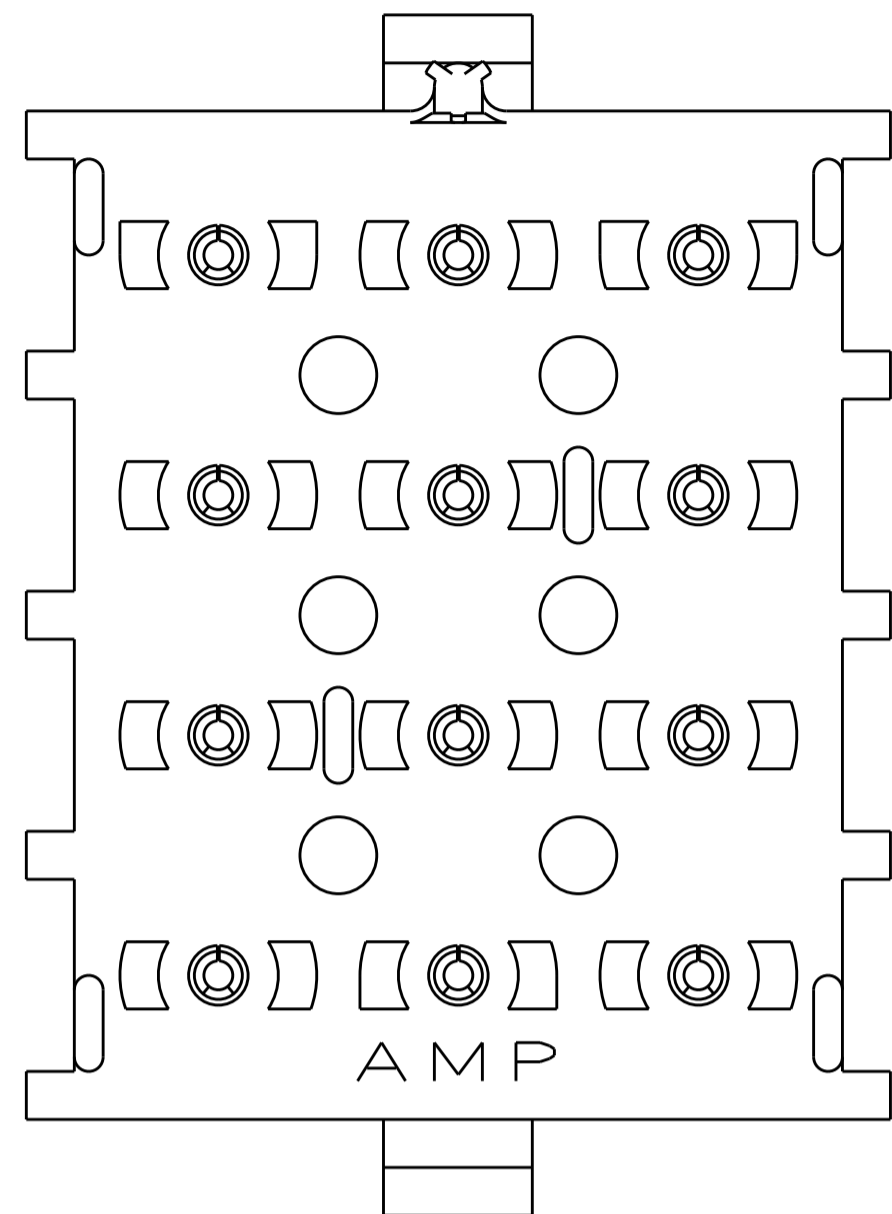
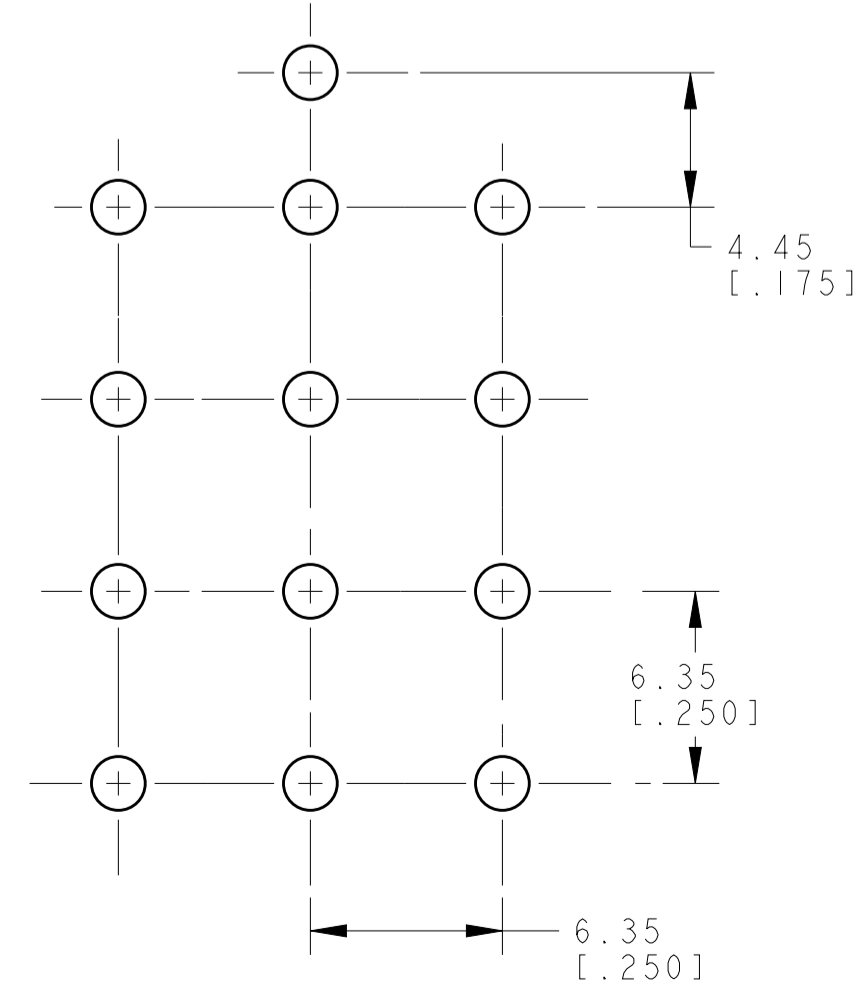
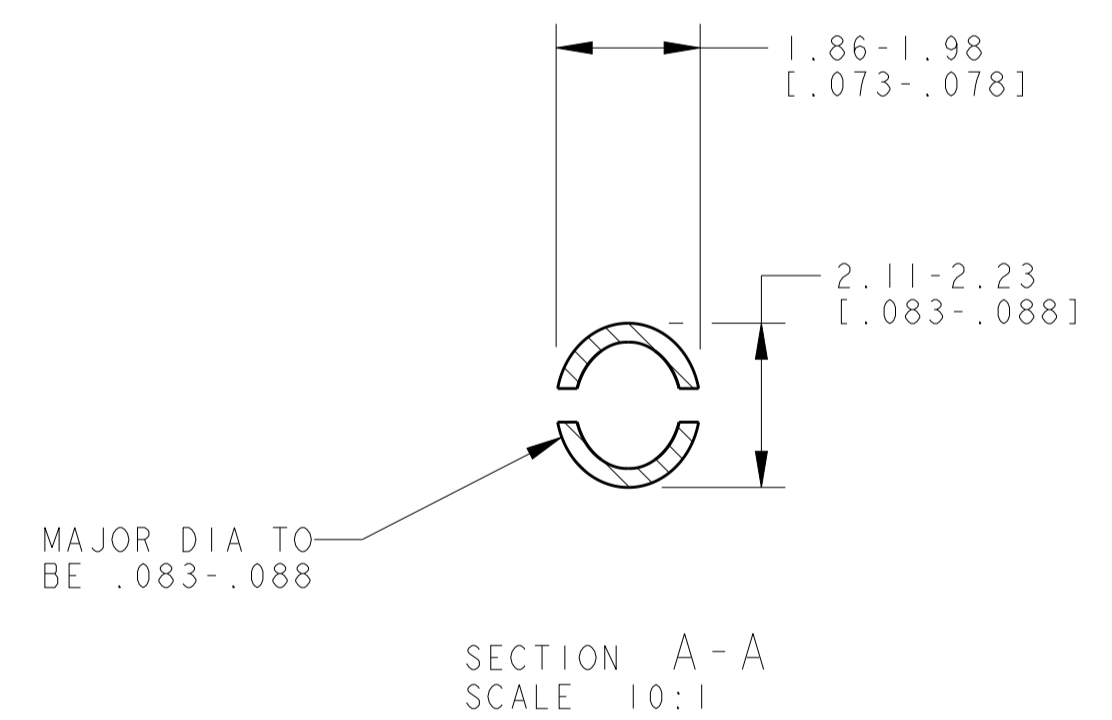
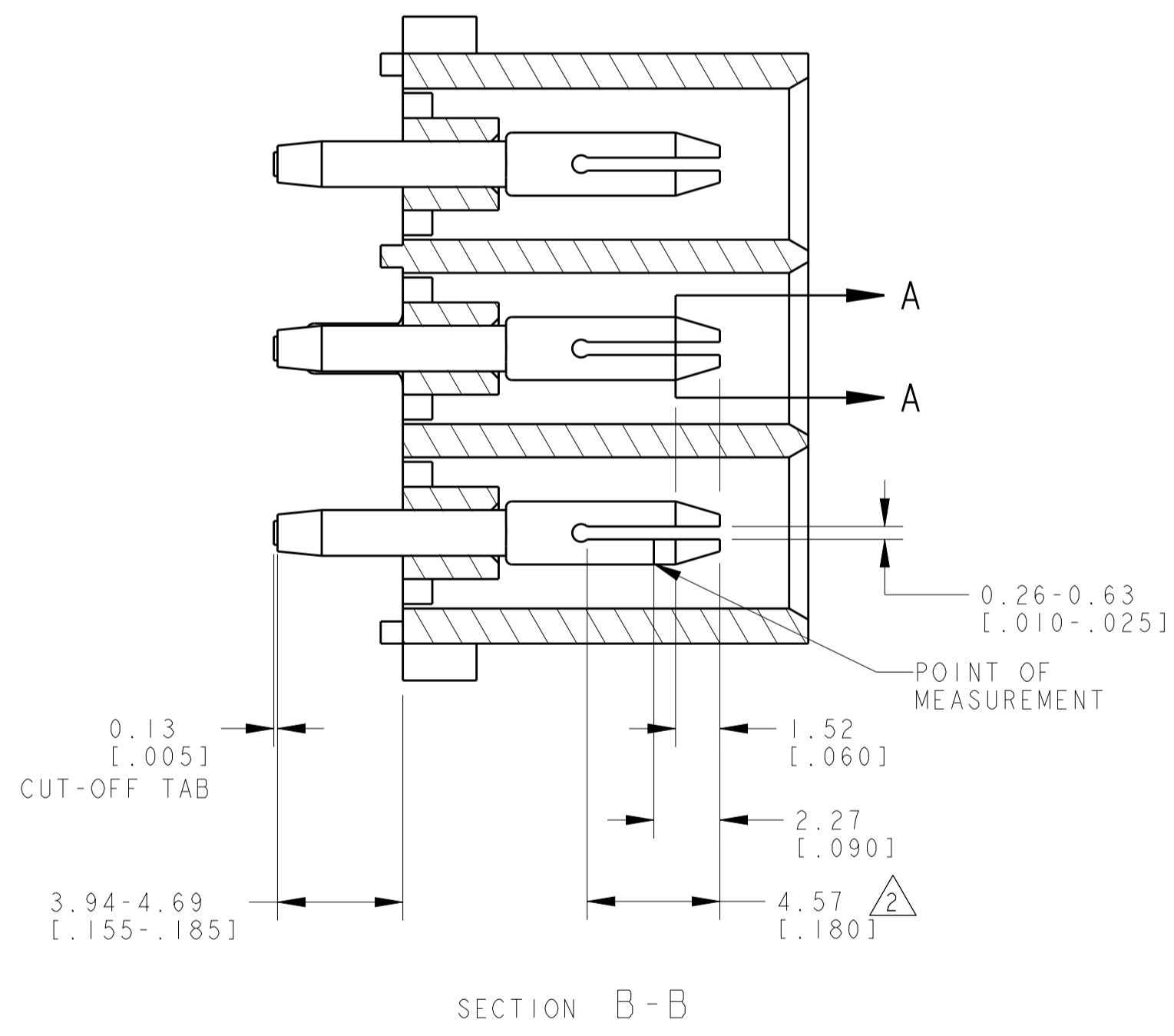


LOC	DIST	REVISIONS					
		P	LTN	DESCRIPTION	DATE	DWN	APVD
CM	00	P1		REVISED PER ECR-12-011660	24JAN2013	KH	TM



1. PARTS MUST COMPLY WITH AMP SOLDERABILITY SPEC. 109-11-3.
2. CONTACT IS PLATED OVERALL WITH 0.00127 [0.000050] NICKEL, THEN 0.00076 [0.000030] GOLD OVER CONTACT LENGTH INDICATED AND TIN LEAD ON SOLDER TAIL END.
3. CIRCUIT IDENTIFICATION ON CHARACTERS ARE ADJACENT TO THE INDICATED CAVITIES, BUT LOCATION AND ORIENTATION MAY DIFFER FROM PRINT.
4. CONTACT IS PLATED OVERALL WITH 0.00127 [0.000050] NICKEL, THEN 0.00076 [0.000030] GOLD OVER CONTACT LENGTH INDICATED AND MATTE TIN ON SOLDER TAIL END.
5. SUPERSEDED BY 641974-3



PH BRZ	PRE-TIN	NYLON, 94V-0	BLACK	1-641974-1
PH BRZ	GOLD ⁴	NYLON, 94V-0	WHITE	641974-3
PH BRZ	GOLD ²	NYLON, 94V-0	WHITE	641974-2
PH BRZ	PRE-TIN	NYLON, 94V-0	WHITE	641974-1
MATERIAL	FINISH	MATERIAL	COLOR	PART NO
PIN				HOUSING

METRIC

THIS DRAWING IS A CONTROLLED DOCUMENT.

DIMENSIONS:	TOLERANCES UNLESS OTHERWISE SPECIFIED:	DWN	R. WHITAKER	14OCT2005
INCHES	0 PLC ±	CHK	S. RIDGILL	14OCT2005
	1 PLC ±	APVD	S. RIDGILL	14OCT2005
	2 PLC ±	NAME	STE TE Connectivity	
	3 PLC ±.005	PRODUCT SPEC	HEADER ASSEMBLY, PIN	
	4 PLC ±	APPLICATION SPEC	UNIVERSAL MATE-N-LOK (TM),	
	ANGLES 40°/30°	SIZE	CAGE CODE	DRAWING NO
MATERIAL	FINISH	WEIGHT	A100779	641974
CUSTOMER DRAWING		SCALE	5:1	SHEET 1 OF 1

Mouser Electronics

Authorized Distributor

Click to View Pricing, Inventory, Delivery & Lifecycle Information:

[TE Connectivity:](#)

[641974-1](#)