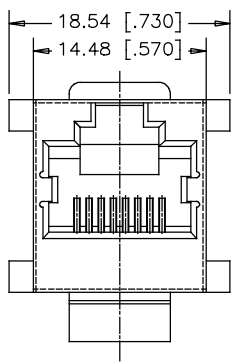
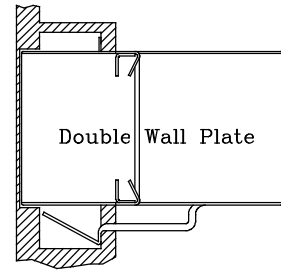


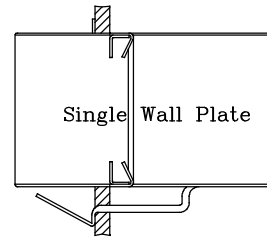
TOP VIEW



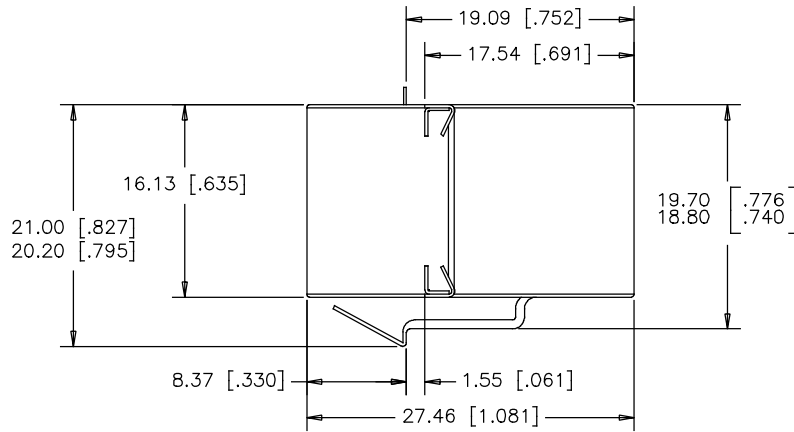
FRONT VIEW



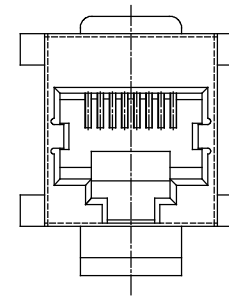
Double Wall Plate



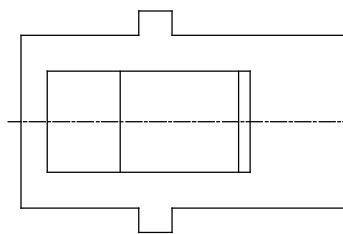
Single Wall Plate



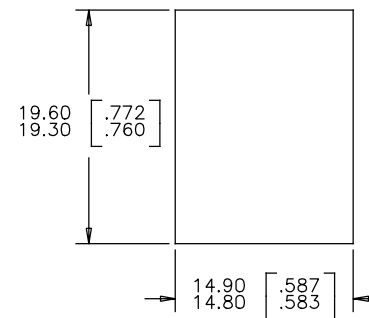
SIDE VIEW



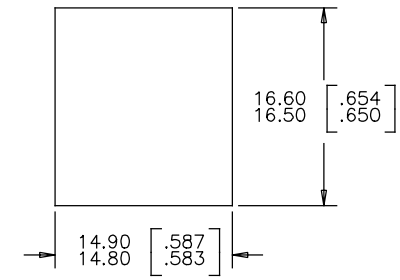
REAR VIEW



BOTTOM VIEW



SINGLE PANEL - LATCH CLEARANCE  
PANEL THICKNESS 1.57 [.062]



RECOMMENDED CUTOUT FOR JACK  
CLEARANCE WITHOUT LATCH FEATURE

**MATERIALS:**

HOUSING: ENGINEERING THERMOPLASTIC  
FLAMMABILITY RATING UL 94V-0,  
COLOUR: BLACK

SHIELD: STAINLESS STEEL.

CONTACT: PHOSPHOR BRONZE.  
PLATING: REFER TO PART NUMBER FOR GOLD  
THICKNESS ON MATING SURFACES.  
50 u"[1.27 MICRONS]MIN. NICKEL UNDERPLATE.

AMPHENOL PART NUMBER: RJE17-288-1X21

- 1= 6u" GOLD PLATING
- 2= 15u" GOLD PLATING
- 3= 30u" GOLD PLATING
- 4= 50u" GOLD PLATING

REVISIONS			
REV	DESCRIPTION, ECN, EAR NO.	DATE	APP'D
A	PROPOSAL	AUG 11/15	L.CHAN
B	DELETE LOGO	MAY 17/17	L.CHAN
C	UPDATE DRAWING	JUL 07/17	L.CHAN
D	UPDATE DRAWING	JUL 12/17	L.CHAN
E	ADD COUPLER INTERACTS WITH WALL	JUL 27/17	L.CHAN



UNLESS SPECIFIED OTHERWISE		DRAWN <i>Frank.W</i>	DATE <i>AUG 11/15</i>
PRIMARY UNITS	MILLIMETER	CHECKED <i>LAWRENCE.C</i>	DATE <i>AUG 11/15</i>
SECONDARY	INCH	M.E. APP'D	
REFERENCE IN PARENTHESES		Q.A. APP'D	
GENERAL TOLERANCES		DWG APPR.	
1 DECIMAL PLACE	±0.30	ENG. REL. NO.	
2 DECIMAL PLACES	±0.25	REF.	
3 DECIMAL PLACES	±0.20	THIRD ANGLE PROJECTION	DO NOT SCALE DRAWING
ANGULAR DEGREES	±1.0°		

Amphenol Canada Corp. www.amphenolcanada.com	
TITLE MODULAR COUPLER JACK, 8 POSITION, 8 CONTACTS, WITH SHIELD, WITH FLANGE (WITH PANEL LATCH)-RoHS COMPLIANT	
DWG. NO. P-RJE17-288-1X21	REV E
CODE ID NO. 03554 DWG SIZE: C	SCALE: N/A SHEET 1 OF 1

# Mouser Electronics

Authorized Distributor

Click to View Pricing, Inventory, Delivery & Lifecycle Information:

## Amphenol:

[RJE01-662-02](#) [RJSAE-538A-02](#) [RJSAE-5380-04](#) [RJSAE-5381-04](#) [RJSAE-5385-04](#) [RJSAE-5380-08](#) [RJSAE-538A-08](#) [RJE01-660-02](#) [RJE01-662-01](#) [RJSAE-5384-04](#) [RJSAE-5382-02](#) [RJSAE-5087-08](#) [RJSSE538102](#) [RJSSE5381](#) [RJSAE-538B-02](#) [RJSAE-5081-04](#) [RJSAE-5084-08](#) [RJSAE-5385-08](#) [RJSAE-5385-02](#) [RJSAE-5380-02](#) [RJSAE-5384-08](#) [RJSAE-5384-02](#) [RJSSE538104](#) [RJSSE5081](#) [RJSSE508004](#) [RJULE-42182-01](#) [RJE061881120](#) [RJE45-188-1411T](#) [RJE45-188-1451T](#) [RJE58-188-6441](#) [RJE58-188-6401](#) [RJE58-188-6411](#) [RJE45-188-1441](#) [RJE45-188-14A1T](#) [RJE45-188-1401T](#) [RJE45-188-0401](#) [RJE58-188-5111](#) [RJE58-188-5211](#) [RJE58-188-5441](#) [RJE58-188-6451](#) [RJE58-188-33W10E](#) [RJE58-188-6421](#) [RJE58-188-5141](#) [RJE58-188-5451](#) [RJE58-188-33W10G](#) [RJE45-188-2411](#) [RJE45-188-0101](#) [RJSSE-5381-02](#)