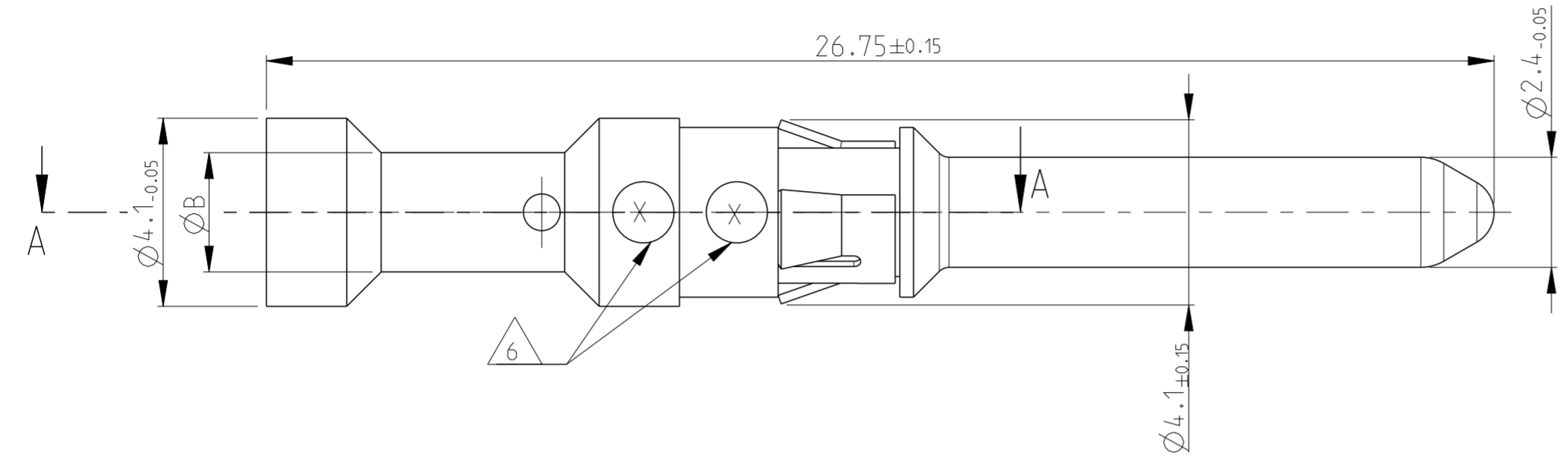
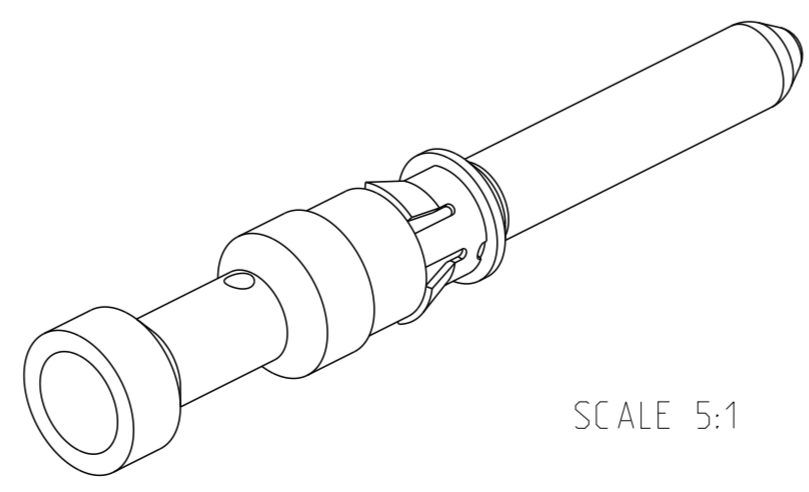
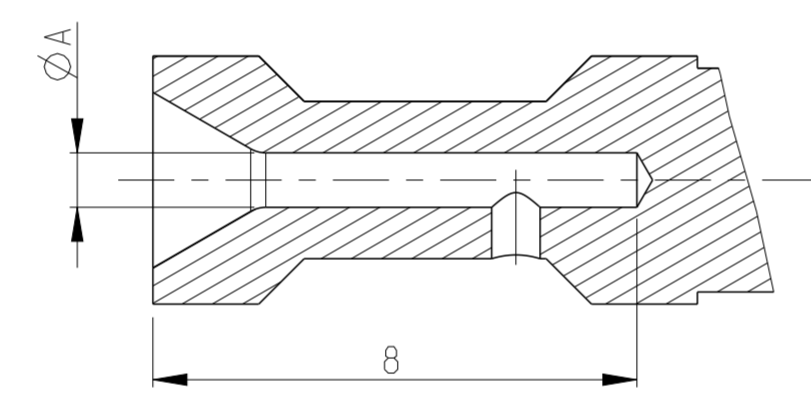


THIS DRAWING IS UNPUBLISHED. RELEASED FOR PUBLICATION 2006
 © COPYRIGHT 2006 BY - ALL RIGHTS RESERVED.

LOC		DIST		REVISIONS			
P	LTR	DESCRIPTION	DATE	DWN	APVD		
A1	-	H2	REVISED PER ECO-11-005030	24MAR2011	RK	HMR	
		H3	ECR-16-016696	14SEP2017	GA	MKO	



SECTION A-A



NOTES:

- 1 MATERIAL SEE TABLE
- 2 SURFACE SEE TABLE
- 3 ASSEMBLY WEIGHT SEE TABLE
- 4 PACKAGING: 50 PIECES IN POLYBAG
- 5 PACKAGING: 500 PIECES IN POLYBAG & CARTON
- 6 CROSS-SECTION MARKING
- 7 NO VENTILATION HOLE REQUIRED AT CROSS SECTION >4 mm²
- 8 SUITABLE SOCKET CONTACT: PN 1105301
- 9 SUITABLE INSERTS: SERIES HVT
- 10 SUITABLE CRIMP TOOL: PN 1-1105851-8
- 11 SUITABLE INSERTION TOOL: PN 0-1102855-6
- 12 SUITABLE EXTRACTION TOOL: PN 0-1102855-3
- 13 STANDARDS: DIN EN 61984, DIN EN 60664-1
- 14 OBSOLETE

														ASSEMBLY WEIGHT IN (Kg) 3																			
0.00142	0.00144	0.00148	0.00145	0.00149	0.00150	0.00144	0.00148	0.00133	0.00142	0.00144	0.00148	0.00145	0.00149	0.00150																			
1	1	1	1	1	1	1	1	1	1	1	1	1	1	1																			
															Pin Contact 4.0 mm ²	CuZn39Pb3 F43	GOLD PLATING	2.85	3.9	6	1												
															Pin Contact 2.5 mm ²			2.2	3.2	5													
															Pin Contact 1.5 mm ²			1.8	3.0	4													
															Pin Contact 0.75-1.0 mm ²			1.45	2.6	3													
															Pin Contact 0.5 mm ²			1.1	2.6	2													
															Pin Contact 0.13-0.4 mm ²			0.9	2.6	1													
															Pin Contact 14 AWG		2.0	3.2	8														
															Pin Contact 12 AWG		2.55	3.6	9														
															Pin Contact 10 AWG		3.2	4.1	7														
															Pin Contact 4.0 mm ²		2.85	3.9	6														
															Pin Contact 2.5 mm ²		2.2	3.2	5														
															Pin Contact 1.5 mm ²		1.8	3.0	4														
															Pin Contact 0.75-1.0 mm ²		1.45	2.6	3														
															Pin Contact 0.5 mm ²		1.1	2.6	2														
															Pin Contact 0.13-0.4 mm ²	0.9	2.6	1															
4	5-2	4-2	3-2	2-2	1-2	6-2	14	9-1	7-2	5-1	4-1	3-1	2-1	1-1	6-1	DESCRIPTION		MATERIAL	SURFACE	ØA	ØB	CROSS SECTION MARKING	ITEM NO										
5	5-9	4-9	3-9	2-9	1-9	6-9	8-8	9-8	7-8	5-8	4-8	3-8	2-8	1-8	6-8	ORDERING TEXT																	
	HVT-C-Stri.Au.4.0 mm ²																																
	HVT-C-Stri.Au.2.5 mm ²																																
	HVT-C-Stri.Au.1.5 mm ²																																
	HVT-C-Stri.Au.0.75-1.0 mm ²																																
	HVT-C-Stri.Au.0.5 mm ²																																
	HVT-C-Stri.Au.0.13-0.4 mm ²																																
	HVT-C-Stri.Ag-AWG.14																																
	HVT-C-Stri.Ag-AWG.12																																
	HVT-C-Stri.Ag-AWG.10																																
	HVT-C-Stri.Ag-AWG.4.0 mm ²																																
	HVT-C-Stri.Ag-AWG.2.5 mm ²																																
	HVT-C-Stri.Ag-AWG.1.5 mm ²																																
	HVT-C-Stri.Ag-AWG.0.75-1.0 mm ²																																
	HVT-C-Stri.Ag-AWG.0.5 mm ²																																
	HVT-C-Stri.Ag-AWG.0.13-0.4 mm ²																																

THIS DRAWING IS A CONTROLLED DOCUMENT.

DIMENSIONS: mm

TOLERANCES UNLESS OTHERWISE SPECIFIED:
 0 PLC
 1 PLC
 2 PLC
 3 PLC
 4 PLC
 ANGLES
 FINISH

APVD: G. WROBLEWSKI, T. SCHNURPFELT, I. SCHNURPFELT

PRODUCT SPEC: 108-74035

APPLICATION SPEC: 114-74013

WEIGHT: -

CUSTOMER DRAWING

DWN: 04 SEP. 2007

CHK: 04 SEP. 2007

APVD: 04 SEP. 2007

NAME: CLIP

SIZE: A2

CAGE CODE: 100779

DRAWING NO: C-1105300

RESTRICTED TO: -

SCALE: 5:1

SHEET: 1 OF 1

REV: H3

STE TE Connectivity

Mouser Electronics

Authorized Distributor

Click to View Pricing, Inventory, Delivery & Lifecycle Information:

[TE Connectivity:](#)

[6-1105300-1](#)