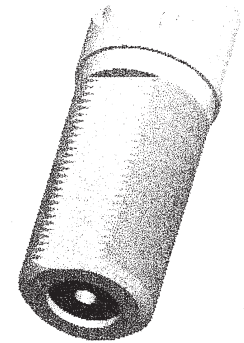


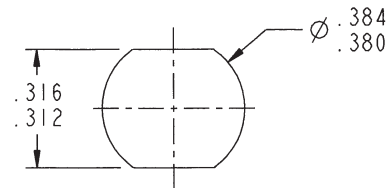
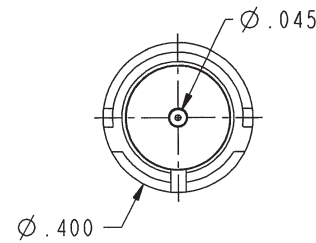
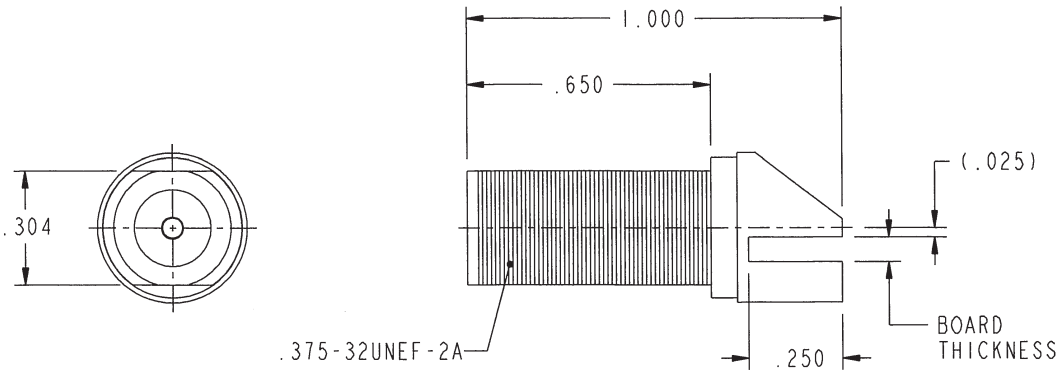
DASH NO	BOARD THICKNESS
-1	.060-.064
-2	.028-.033
-3	.090-.094

DATA CONTAINED IN THIS DOCUMENT IS PROPRIETARY TO TROMPETER ELECTRONICS INC. AND SHALL NOT BE DISCLOSED, COPIED OR USED FOR PROCUREMENT OR MANUFACTURE WITHOUT EXPRESS WRITTEN PERMISSION.

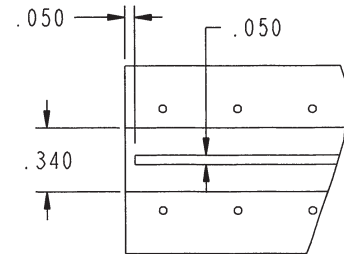
REVISIONS			
REV	DESCRIPTIONS	DATE	APPROVED
F	REVISED PER ECO 16721	8/13/08	<i>[Signature]</i>



SCALE 2/1



RECOMMENDED CUT-OUT SCALE 2/1



RECOMMENDED PCB LAYOUT SCALE 1/1

**RED INDICATES ORIGINAL**

3. EXAMPLE OF A COMPLETE MODEL NO.



2. FINISH: BODY: TFS-1Z (GOLD)  
CONTACT: TFS-1B (GOLD)

1. CIRCUIT BOARD EDGE MOUNT  
"F" STYLE FEMALE JACK

NOTES: UNLESS OTHERWISE SPECIFIED.

INTERPRET DRAWING PER MIL-STD-100. DIMENSIONS ARE IN INCHES AND INCLUDE FINISH THICKNESS UNLESS OTHERWISE SPECIFIED.

TOL: UNLESS SPECIFIED.  
.XX ± .02  
.XXX ± .010  
ANGLE ± 1°



DRN J. CARPENTER 08-04-08  
CHK M.J. 8-11-08  
QUALITY

MATERIAL:

TITLE:

CBJE130

MANUF  
APPROVED *[Signature]* 8-12-08  
PROTE FILE NO. 1-0579

FINISH:

SIZE

CAGE CODE A 14949

DRAWING NO.

1-0579

REV. F

NEXT ASSY

DO NOT SCALE DWG

SCALE 2/1

DATE 8-3-01

SHEET 1C

# Mouser Electronics

Authorized Distributor

Click to View Pricing, Inventory, Delivery & Lifecycle Information:

[Cinch Connectivity Solutions:](#)

[CBJE130-1](#)