

THIS DRAWING IS UNPUBLISHED. VERTRÄULICHE UNVERÖFFENTLICHTE ZEICHNUNG. RELEASED FOR PUBLICATION FREI FÜR VERÖFFENTLICHUNG. 2014. MATED WITH: PASSEND ZU: (C) COPYRIGHT 2014 Tyco Electronics AMP GmbH. ALL RIGHTS RESERVED. ALLE RECHTE VORBEHALTEN.

PROJEKT NR.: PRJ-14-00000805

P	LTR	REVISIONS ÄNDERUNGEN DESCRIPTION BESCHREIBUNG	DATE	DWN	APVD
A2		DESCRIPTION CORRECTED FROM SOLDER TO SCREW TERMINAL IN TITLE BLOCK	13NOV2014	CR	JK
A3		1-2271110-1, 1-2271110-2, 2-2271110-1, 2-2271110-2, 3-2271110-1, 3-2271110-2, 4-2271110-1, 4-2271110-2 & 5-2271110-2 DISCONTINUED	23SEP2017	TJ	NG

1 MATERIAL: ITEM NO. 1: HOUSING - PA  
ITEM NO. 2: CONTACT BODY - PA  
ITEM NO. 3: CONTACT - CuZn (brass)

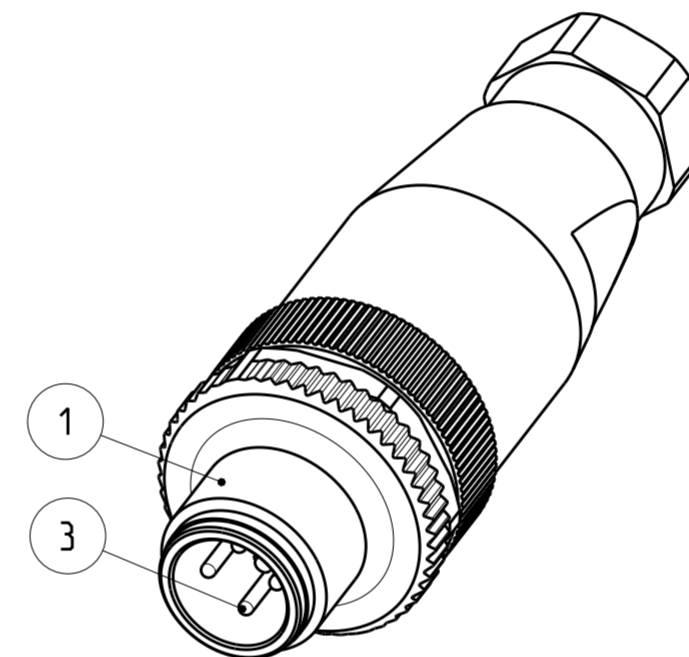
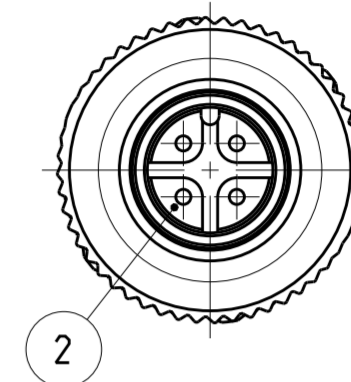
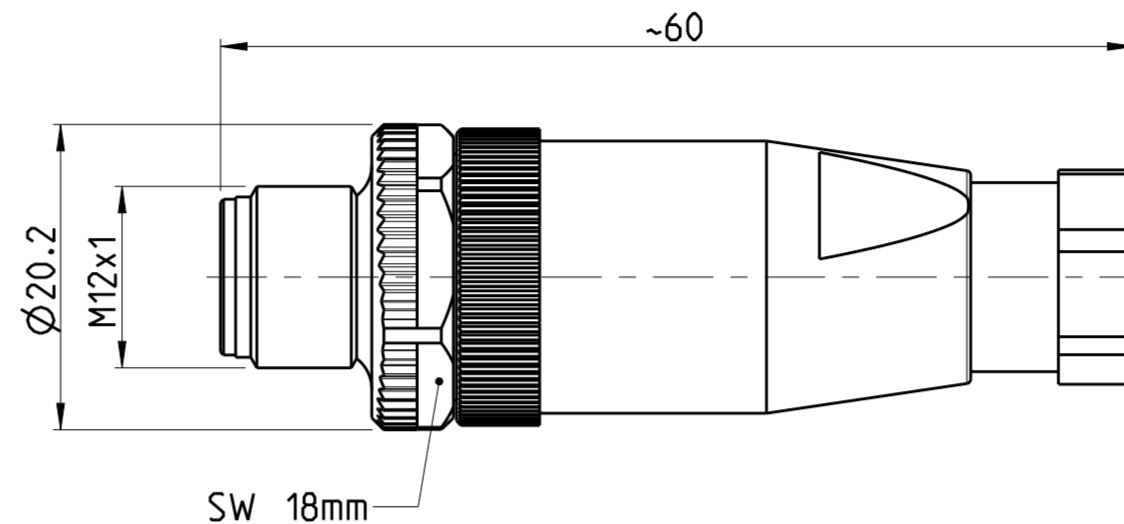
2 CONTACT FINISH - CuSnZn (Optalloy)

3 CONTACT FINISH - Au (gold)

4 ALL DIMENSIONS ARE FOR NOMINAL REFERENCE ONLY UNLESS OTHERWISE STATED

5 MEASUREMENT REFERENCE ONLY

6 PACKAGING: 1 PIECE IN A BAG



TECHNICAL DATA	2-2271110-1	2-2271110-2	3-2271110-1	3-2271110-2	4-2271110-1	4-2271110-2	5-2271110-2	6-2271110-2
RATED VOLTAGE	250V	250V	250V	250V	125V	125V	60V	30V
RATED IMPULSE VOLTAGE	2500V	2500V	2500V	2500V	1500V	1500V	800V	500V
POLLUTION DEGREE	3	3	3	3	3	3	3	3
OVERVOLTAGE CATEGORY	II	II	II	II	II	II	II	II
MATERIAL GROUP	III	III	III	III	III	III	III	III
RATED CURRENT	4A	4A	4A	4A	4A	4A	2A	2A
VOLUME RESISTIVITY	≤ 8mΩ	≤ 8mΩ	≤ 8mΩ	≤ 8mΩ	≤ 8mΩ	≤ 8mΩ	≤ 3mΩ	≤ 3mΩ
DEGREE OF PROTECTION	IP67	IP67	IP67	IP67	IP67	IP67	IP67	IP67
UPPER TEMPERATURE	+85 °C	+85 °C	+85 °C	+85 °C	+85 °C	+85 °C	+85 °C	+85 °C
LOWER TEMPERATURE	-40 °C	-40 °C	-40 °C	-40 °C	-40 °C	-40 °C	-40 °C	-40 °C

PIN ARRANGEMENT  
A-CODING (SCALE 2:1)

2-2271110-1	2-2271110-2	3-2271110-1	3-2271110-2
4-2271110-1	4-2271110-2	5-2271110-2	6-2271110-2

3-1 AS SHOWN  
WIE GEZEICHNET

CABLE FEED-THROUGH mm	WIRES AWG / mm <sup>2</sup>	MATERIAL	NUMBER OF POLES	TE-PART-NO.
6-8	24 / 0.25mm <sup>2</sup>	1 3	12	6-2271110-2
6-8	20 / 0.50mm <sup>2</sup>	1 3	8	5-2274410-2
6-8	18 / 0.75mm <sup>2</sup>	1 2	5	4-2274410-2
4-6	18 / 0.75mm <sup>2</sup>	1 2	5	4-2274410-1
6-8	18 / 0.75mm <sup>2</sup>	1 2	4	3-2274410-2
4-6	18 / 0.75mm <sup>2</sup>	1 2	4	3-2274410-1
6-8	18 / 0.75mm <sup>2</sup>	1 2	3	2-2274410-2
4-6	18 / 0.75mm <sup>2</sup>	1 2	3	2-2274410-1

DIESE ZEICHNUNG IST EIN KONTROLLIERTES DOKUMENT. BEMASSUNGEN UND TOLERANZEN GEMAESS GPS (ISO STANDARDS).  
THIS DRAWING IS A CONTROLLED DOCUMENT. DIMENSIONING AND TOLERANCING PER GPS (ISO STANDARDS).  
DIMENSIONS: MASSEINHEITEN: (mm)  
TOLERANCES UNLESS OTHERWISE SPECIFIED: ALLGEMEINTOLERANZEN  
0 PLC ±  
1 PLC ±  
2 PLC ±  
3 PLC ±  
4 PLC ±  
ANGLES/WINKEL ±  
FINISH/OBERFLÄCHE/FARBE  
MATERIAL  
-  
-  
-  
Customer Drawing

14 APR 2014  
14 APR 2014  
14 APR 2014  
DWN YASHKUMAR  
CHK M. STRELOW  
APVD C. SCHRETLINGER  
NAME  
M12 MALE STRAIGHT, FIELD INSTALLABLE, UNSHIELDED CONNECTOR, SCREW TERMINALS, A-CODING  
SIZE A2  
CAGE CODE 00779  
DRAWING NO. ZEICHNUNGS-NR. C-2271110  
RESTRICTED TO NUR FÜR  
SCALE MASSSTAB 2:1  
SHEET BLATT 1 OF 1  
REV A3

**STE** TE Connectivity

SIZE ISO 14405 (E)

# Mouser Electronics

Authorized Distributor

Click to View Pricing, Inventory, Delivery & Lifecycle Information:

[TE Connectivity:](#)

[2-2271110-1](#)