

**PLEASE CHECK WWW.MOLEX.COM FOR LATEST PART INFORMATION**

**Part Number:** [0622018813](#)  
**Status:** **Active**  
**Overview:** [Application Tooling](#)  
**Description:** Impact 85 Ohm Backplane Press-In Tool

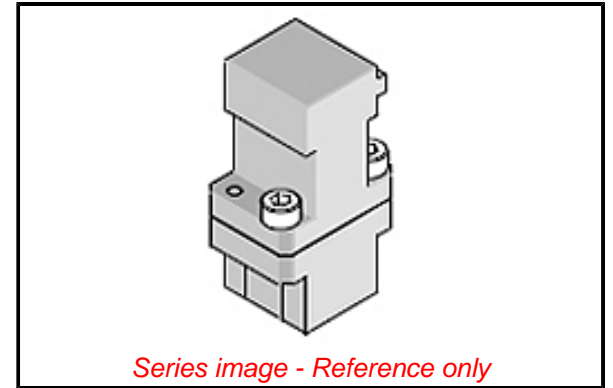
**Documents:**  
[RoHS Certificate of Compliance \(PDF\)](#)

**General**

|                                |   |
|--------------------------------|---|
| Product Family                 | Application Tooling   |
| Series                         | <a href="#">207123</a>  |
| Comments                       | See Tooling Specification (PDF) Above, See Tooling Specification (PDF) Above  |
| Function                       | Insertion   |
| Geographic Area                | Global  |
| Level of Automation            | Manual  |
| More Detailed Tech Information | <a href="mailto:applicationtooling@molex.com">applicationtooling@molex.com</a>  |
| Overview                       | <a href="#">Application Tooling</a>   |
| Product Name                   | Impact  |
| Tool Type                      | Press-Fit Insertion Tool  |
| UPC                            | 884982621824  |
| Warranty Disclaimer            | CAUTION: Molex tooling crimp specifications are valid only when used with Molex terminals and tooling manufactured by Molex and sold by Molex or authorized distributors ("Molex Tooling"). When using tooling other than Molex Tooling with Molex specific connector systems listed in our ATS documents, the Molex tooling qualification does not apply and the responsibility for full qualification of the connector system is that of the customer. Molex accepts no liability for connector performance or tooling support where tooling other than Molex Tooling is used or where Molex Tooling is modified. |

**Material Info**

**Reference - Drawing Numbers**  
Application Tooling Documents [ATS-622018813, TM-622018799](#)



**EU ELV**

**Not Relevant**

**EU RoHS**

**Not Reviewed**

**REACH SVHC**

Not Contained Per  
-ED/01/2018 (15  
January 2018)

**Halogen-Free**

**Status**

**Not Relevant**

For more information, please visit [Contact US](#)

China ROHS

**China RoHS**

Not Relevant

ELV

Not Relevant

RoHS Phthalates

Not Contained

**Search Parts in this Series**

[207123 Series](#)

**Use With**

[170525](#) Impact 85 Ohm Backplane Assembly, 3-Pair by 10 Column Assemblies

**Application Tooling** | **FAQ**

| Description | Product # |
|-------------|-----------|
|-------------|-----------|

|  |                         |
|--|-------------------------|
| 1.57mm Diameter, Standard .062" Pin and Socket Crimp Terminal, Female, with Tin (Sn) Plated Brass Contact, 18-24 AWG, Reel | <a href="#">2061101</a> |
|--|-------------------------|

|   |                         |
|---|-------------------------|
| 1.57mm Diameter, Standard .062" Pin and Socket Crimp Terminal, Female, with Tin (Sn) Plated Brass Contact, 18-24 AWG, Bag | <a href="#">2061103</a> |
|---|-------------------------|

|                                     |                         |
|-------------------------------------|-------------------------|
| 1.57mm Diameter, Standard .062" Pin | <a href="#">2061104</a> |
|-------------------------------------|-------------------------|

|                                     |                         |
|-------------------------------------|-------------------------|
| 1.57mm Diameter, Standard .062" Pin | <a href="#">2061104</a> |
|-------------------------------------|-------------------------|

|                                     |                         |
|-------------------------------------|-------------------------|
| 1.57mm Diameter, Standard .062" Pin | <a href="#">2061104</a> |
|-------------------------------------|-------------------------|

|                                     |                         |
|-------------------------------------|-------------------------|
| 1.57mm Diameter, Standard .062" Pin | <a href="#">2061104</a> |
|-------------------------------------|-------------------------|

and Socket Crimp  
Terminal, Series  
4529, Female, with  
Tin (Sn) Plated  
Phosphor Bronze  
Contact, 18-24 AWG,  
Reel

1.57mm Diameter, 2061118

Standard .062" Pin  
and Socket Crimp  
Terminal, Series  
1561, Female, with  
Tin (Sn) Plated Brass  
Contact, Without  
Locking Tabs,  
18-24 AWG, Reel  
Packaged

1.57mm Diameter, 2061131

Standard .062" Pin  
and Socket Crimp  
Terminal, Series  
1855, Female, with  
Tin (Sn) Plated Brass  
Contact, 24-30 AWG,  
Reel

1.57mm Diameter, 2061132

Standard .062" Pin  
and Socket Crimp  
Terminal, Series  
1855, Female, with  
Tin (Sn) Plated Brass  
Contact, 24-30 AWG,  
Bag

1.57mm Diameter, 2061141

Standard .062" Pin  
and Socket Crimp  
Terminal, Series  
1855, Female, with  
Tin (Sn) Plated  
Brass Contact,  
24-30 AWG, Without  
Locking Tabs, Reel  
Packaged

1.57mm Diameter, 2061143

Standard .062" Pin  
and Socket Crimp  
Terminal, Series  
1855, Female, with  
Tin (Sn) Plated Brass  
Contact, 24-30 AWG,  
Reel Packaged with  
Interleaf Paper

1.57mm Diameter, 2062101

Standard .062" Pin  
and Socket Crimp  
Terminal, Series  
1560, Male, with Tin  
(Sn) Plated Brass  
Contact, 18-24 AWG,  
Reel

1.57mm Diameter, 2062103

Standard .062" Pin  
and Socket Crimp  
Terminal, Series  
1560, Male, with Tin

(Sn) Plated Brass  
Contact, 18-24 AWG,  
Bag  
1.57mm Diameter, 2062131  
Standard .062" Pin  
and Socket Crimp  
Terminal, Series  
1854, Male, with Tin  
(Sn) Plated Brass  
Contact, 24-30 AWG,  
Reel  
1.57mm Diameter, 2062132  
Standard .062" Pin  
and Socket Crimp  
Terminal, Series  
1854, Male, with Tin  
(Sn) Plated Brass  
Contact, 24-30 AWG,  
Bag  
1.57mm Diameter, 2065100  
Standard .062" Pin  
and Socket Crimp  
Terminal, Female,  
with 0.38 $\mu$ m Gold  
(Au) Plated Brass  
Contact, 18-24 AWG,  
Reel  
1.57mm Diameter, 2065101  
Standard .062" Pin  
and Socket Crimp  
Terminal, Female,  
with 0.76 $\mu$ m Gold  
(Au) Plated Brass  
Contact, 18-24 AWG,  
Reel  
1.57mm Diameter, 2065102  
Standard .062" Pin  
and Socket Crimp  
Terminal, Female,  
with 0.76 $\mu$ m Gold  
(Au) Plated Brass  
Contact, 18-24 AWG,  
Bag  
1.57mm Diameter, 2065103  
Standard .062" Pin  
and Socket Crimp  
Terminal, Female,  
with 0.38 $\mu$ m Gold  
(Au) Plated Brass  
Contact, 18-24 AWG,  
Bag  
1.57mm Diameter, 2065104  
Standard .062" Pin  
and Socket Crimp  
Terminal, Series  
1561, Female,  
with 1.27 $\mu$ m Gold  
Max. Insulation  
Diameter, Loose in  
Bag Packaged  
1.57mm Diameter, 2065105  
Standard .062" Pin  
and Socket Crimp  
Terminal, Series  
1561, Female, with

1.27µm Gold Max.  
Insulation Diameter,  
Reel

1.57mm Diameter, 2065108  
Standard .062" Pin  
and Socket Crimp  
Terminal, Female,  
with Selective Gold  
(Au) Plated Brass  
Contact, 18-24 AWG,  
Reel

1.57mm Diameter, 2065109  
Standard .062" Pin  
and Socket Crimp  
Terminal, Female,  
with Selective Gold  
(Au) Plated Brass  
Contact, 18-24 AWG,  
Bag

1.57mm Diameter, 2065130  
Standard .062" Pin  
and Socket Crimp  
Terminal, Series  
1855, Female,  
with 0.38µm Gold  
(Au) Plated Brass  
Contact, 24-30 AWG,  
Reel

1.57mm Diameter, 2065135  
Standard .062" Pin  
and Socket Crimp  
Terminal, Series  
1855, Female,  
with 0.38µm Gold  
(Au) Plated Brass  
Contact, 24-30 AWG,  
Bag

1.57mm Diameter, 2065138  
Standard .062" Pin  
and Socket Crimp  
Terminal, Series  
1855, Female,  
with 0.76µm Gold  
(Au) Plated Brass  
Contact, 24-30 AWG,  
Reel

1.57mm Diameter, 2065139  
Standard .062" Pin  
and Socket Crimp  
Terminal, Series  
1855, Female,  
with 0.76µm Gold  
(Au) Plated Brass  
Contact, 24-30 AWG,  
Bag

1.57mm Diameter, 2065147  
Standard .062" Pin  
and Socket Crimp  
Terminal, Series  
1855, Female, with  
Selective Gold  
(Au) Plated Brass  
Contact, 24-30 AWG,  
Reel

1.57mm Diameter, [2065148](#)  
Standard .062" Pin  
and Socket Crimp  
Terminal, Series  
1855, Female, with  
Selective Gold  
(Au) Plated Brass  
Contact, 24-30 AWG,  
Bag

1.57mm Diameter, [2066100](#)  
Standard .062" Pin  
and Socket Crimp  
Terminal, Series  
1560, Male, with  
Gold (Au) Plated  
Brass Contact, 18-24  
AWG, Reel

1.57mm Diameter, [2066101](#)  
Standard .062"  
Pin and Socket  
Crimp Terminal,  
Series 1560, Male,  
with .76µm Selective  
Gold (Au) Plated  
Brass Contact,  
18-24 AWG, Reel  
Packaged

1.57mm Diameter, [2066102](#)  
Standard .062"  
Pin and Socket  
Crimp Terminal,  
Series 1560, Male,  
with .76µm Selective  
Gold (Au) Plated  
Brass Contact, 18-24  
AWG, Bag Packaged

1.57mm Diameter, [2066103](#)  
Standard .062" Pin  
and Socket Crimp  
Terminal, Series  
1560, Male, with  
Gold (Au) Plated  
Brass Contact, 18-24  
AWG, Bag

1.57mm Diameter, [2066104](#)  
Standard .062"  
Pin and Socket  
Crimp Terminal,  
Series 1560, Male,  
with Selective  
1.27µm Select Gold  
(Au) Plated Brass  
Contact, 18-24 AWG,  
Bag Packaged

1.57mm Diameter, [2066118](#)  
Standard .062" Pin  
and Socket Crimp  
Terminal, Series  
1560, Male, with  
Selective Gold  
(Au) Plated Brass  
Contact, Tin/Lead  
Plated Crimp Area,  
18-24 AWG, Reel

1.57mm Diameter, [2066119](#)  
Standard .062" Pin  
and Socket Crimp  
Terminal, Series  
1560, Male, with  
Selective Gold  
(Au) Plated Brass  
Contact, Tin/Lead  
Plated Crimp Area,  
18-24 AWG, Bag

1.57mm Diameter, [2066122](#)  
Standard .062"  
Pin and Socket  
PC Tail Terminal,  
Series 1778, Male,  
with Selective Gold  
(Au) Plated Brass  
Contact, Bag

1.57mm Diameter, [2066130](#)  
Standard .062" Pin  
and Socket Crimp  
Terminal, Series  
1854, Male, with  
Gold (Au) Plated  
Brass Contact, 24-30  
AWG, Reel

1.57mm Diameter, [2066135](#)  
Standard .062" Pin  
and Socket Crimp  
Terminal, Series  
1854, Male, with  
Gold (Au) Plated  
Brass Contact, 24-30  
AWG, Bag

1.57mm Diameter, [2066138](#)  
Standard .062" Pin  
and Socket Crimp  
Terminal, Series  
1854, Male, with  
Selective Gold  
(Au) Plated Brass  
Contact, 24-30 AWG,  
Reel

1.57mm Diameter, [2066139](#)  
Standard .062" Pin  
and Socket Crimp  
Terminal, Series  
1854, Male, with  
Selective Gold  
(Au) Plated Brass  
Contact, 24-30 AWG,  
Bag

1.57mm Diameter, [2066143](#)  
Standard .062" Pin  
and Socket Crimp  
Terminal, Series  
1854, Male, with  
Selective Gold  
(Au) Plated Brass  
Contact, Tin (Sn)  
Plated Crimp Area,  
24-30 AWG, Reel

1.57mm Diameter, [2066144](#)  
Standard .062" Pin  
and Socket Crimp

Terminal, Series  
1854, Male, with  
Selective Gold  
(Au) Plated Brass  
Contact, Tin (Sn)  
Plated Crimp Area,  
24-30 AWG, Bag  
1.57mm Diameter, 2067103  
Standard .062" Pin  
and Socket PC Tail

Terminal, Series  
1779, Female,  
with 2.54µm Tin  
(Sn) Plated Brass  
Contact, Bag  
Packaged  
1.57mm Diameter, 2067104  
Standard .062" Pin  
and Socket PC Tail

Terminal, Series  
1779, Female,  
with .76µm Selective  
Gold (Au) Plated  
Brass Contact, Bag  
Packaged  
1.57mm Diameter, 2068103  
Standard .062" Pin  
and Socket PC Tail

Terminal, Series  
1778, Male, with Tin  
(Sn) Plated Brass  
Contact, Bag  
MLX Crimp Terminal 2082008  
42023, 14-20 AWG,  
Bag Selective Gold  
(Au)  
2.36mm Diameter, 2091102  
Standard .093" Pin  
and Socket Crimp

Terminal, Series  
1189, Female, with  
Tin (Sn) Plated Brass  
Contact, 14-20 AWG,  
Reel  
2.36mm Diameter, 2091104  
Standard .093" Pin  
and Socket Crimp

Terminal, Series  
1189, Female, with  
Tin (Sn) Plated Brass  
Contact, 14-20 AWG,  
Bag  
2.36mm Diameter, 2091117  
Standard .093" Pin  
and Socket Crimp

Terminal, Series  
1381, Female, with  
Tin (Sn) Plated Brass  
Contact, 18-22 AWG,  
Reel  
2.36mm Diameter, 2091119  
Standard .093" Pin  
and Socket Crimp

Terminal, Series  
1381, Female, with

Tin (Sn) Plated Brass  
Contact, 18-22 AWG,  
Bag  
2.36mm Diameter, 2091122  
Standard .093" Pin  
and Socket Crimp  
Terminal, Series  
2273, Female, with  
Tin (Sn) Plated  
Contact, Low  
Engagement Force,  
18-22 AWG, Reel  
2.36mm Diameter, 2091123  
Standard .093" Pin  
and Socket Crimp  
Terminal, Series  
2273, Female, with  
Tin (Sn) Plated  
Contact, Low  
Engagement Force,  
18-22 AWG, Bag  
2.36mm Diameter, 2091134  
Standard .093" Pin  
and Socket PC Tail  
Terminal, Series  
1377, Female, with  
Tin (Sn) Plated  
Contact, Bag  
2.36mm Diameter, 2091155  
Standard .093" Pin  
and Socket Crimp  
Terminal, Series  
41483, Female, with  
Tin (Sn) Plated Brass  
Contact, 14-18 AWG  
with Large Insulation  
Diameter, Chain  
2.36mm Diameter, 2091205  
Standard .093" Pin  
and Socket Crimp  
Terminal, Series  
4550, Female, with  
Tin (Sn) Plated  
Phosphor Bronze  
Contact, 14-20 AWG,  
Reel  
2.36mm Diameter, 2091206  
Standard .093" Pin  
and Socket Crimp  
Terminal, Series  
4550, Female, with  
Tin (Sn) Plated  
Phosphor Bronze  
Contact, 14-20 AWG,  
Bag  
2.36mm Diameter, 2091615  
Standard .093"  
Pin and Socket  
Crimp Terminal,  
Series 42477,  
Female, with Tin  
(Sn) Plated Contact,  
High Current/Low  
Engagement Force,  
14-18 AWG, Reel



2.36mm Diameter, [2092101](#)  
Standard .093" Pin  
and Socket Crimp  
Terminal, Series  
1190, Male, with Tin  
(Sn) Plated Brass  
Contact, 14-20 AWG,  
Reel

2.36mm Diameter, [2092103](#)  
Standard .093" Pin  
and Socket Crimp  
Terminal, Series  
1190, Male, with Tin  
(Sn) Plated Brass  
Contact, 14-20 AWG,  
Bag

2.36mm Diameter, [2092116](#)  
Standard .093" Pin  
and Socket Crimp  
Terminal, Series  
1380, Male, with Tin  
(Sn) Plated Brass  
Contact, 18-22 AWG,  
Reel

2.36mm Diameter, [2092117](#)  
Standard .093" Pin  
and Socket Crimp  
Terminal, Series  
1380, Male, with Tin  
(Sn) Plated Brass  
Contact, without  
Dents, 18-22 AWG,  
Reel

2.36mm Diameter, [2092118](#)  
Standard .093" Pin  
and Socket Crimp  
Terminal, Series  
1380, Male, with Tin  
(Sn) Plated Brass  
Contact, 18-22 AWG,  
Bag

2.36mm Diameter, [2092133](#)  
Standard .093" Pin  
and Socket PC Tail  
Terminal, Series  
1376, Male, with Tin/  
Lead (Sn/Pb) Plated  
Contact, With Detent,  
Bag Packaged

2.36mm Diameter, [2092134](#)  
Standard .093" Pin  
and Socket PC Tail  
Terminal, Series  
1376, Male, with Tin  
(Sn) Plated Contact,  
Without Detent, Bag  
Packaged

2.36mm Diameter, [2092166](#)  
Standard .093" Pin  
and Socket Crimp  
Terminal, Series  
4549, Male, with  
Tin (Sn) Plated  
Phosphor Bronze

Contact, 14-20 AWG,  
Reel Packaged  
2.36mm Diameter, 2092167  
Standard .093" Pin  
and Socket Crimp  
Terminal, Series  
4549, Male, with  
Tin (Sn) Plated  
Phosphor Bronze  
Contact, 14-20 AWG,  
Bag Packaged  
2.36mm Diameter, 2092170  
Standard .093" Pin  
and Socket Crimp  
Terminal, Series  
1190, Male, with Tin  
(Sn) Plated Brass  
Contact, 14-18 AWG,  
Large Insulation  
Crimp, Reel  
2.36mm Diameter, 2092171  
Standard .093" Pin  
and Socket Crimp  
Terminal, Series  
1190, Male, with Tin  
(Sn) Plated Brass  
Contact, 14-18 AWG,  
Large Insulation  
Crimp, Bag  
2.36mm Diameter, 2092611  
Standard .093" Pin  
and Socket Crimp  
Terminal, Series  
42478, Male, with Tin  
(Sn) Plated Contact,  
High Current/Low  
Engagement Force,  
14-18 AWG, Reel  
2.36mm Diameter, 2095100  
Standard .093" Pin  
and Socket Crimp  
Terminal, Series  
1189, Female, with  
Gold (Au) Plated  
Brass Contact, 14-20  
AWG, Reel  
2.36mm Diameter, 2095101  
Standard .093" Pin  
and Socket Crimp  
Terminal, Series  
1190, Male, with Tin  
(Sn) Plated Brass  
Contact, 14-20 AWG,  
Chain  
2.36mm Diameter, 2095102  
Standard .093" Pin  
and Socket Crimp  
Terminal, Series  
1189, Female, with  
Selective Gold  
(Au) Plated Brass  
Contact, 14-20 AWG,  
Reel  
2.36mm Diameter, 2095106  
Standard .093" Pin

and Socket Crimp  
Terminal, Series  
1189, Female, with  
Gold (Au) Plated  
Brass Contact, 14-20  
AWG, Bag  
2.36mm Diameter, [2095111](#)  
Standard .093" Pin  
and Socket Crimp  
Terminal, Series  
1189, Female, with  
Selective Gold  
(Au) Plated Brass  
Contact, 14-20 AWG,  
Bag  
2.36mm Diameter, [2095130](#)  
Standard .093" Pin  
and Socket Crimp  
Terminal, Series  
1381, Female, with  
Selective Gold  
(Au) Plated Brass  
Contact, 18-22 AWG,  
Reel  
2.36mm Diameter, [2095132](#)  
Standard .093" Pin  
and Socket PC Tail  
Terminal, Series  
1377, Female, with  
Gold (Au) Plated  
Contact, Bag  
2.36mm Diameter, [2095133](#)  
Standard .093" Pin  
and Socket Crimp  
Terminal, Series  
1381, Female, with  
Selective Gold  
(Au) Plated Brass  
Contact, 18-22 AWG,  
Bag  
2.36mm Diameter, [2095142](#)  
Standard .093" Pin  
and Socket Crimp  
Terminal, Series  
1381, Female, with  
Gold (Au) Plated  
Brass Contact, 18-22  
AWG, Bag  
2.36mm Diameter, [2095143](#)  
Standard .093" Pin  
and Socket Crimp  
Terminal, Series  
1381, Female, with  
Gold (Au) Plated  
Brass Contact, 18-22  
AWG, Reel  
2.36mm Diameter, [2095169](#)  
Standard .093" Pin  
and Socket Crimp  
Terminal, Series  
4550, Female, with  
Gold (Au) Plated  
Phosphor Bronze  
Contact, 14-20 AWG,  
Reel

2.36mm Diameter, [2095170](#)  
Standard .093" Pin  
and Socket Crimp  
Terminal, Series  
4550, Female, with  
Gold (Au) Plated  
Phosphor Bronze  
Contact, 14-20 AWG,  
Bag

2.36mm Diameter, [2096100](#)  
Standard .093" Pin  
and Socket Crimp  
Terminal, Series  
1190, Male, with  
Gold (Au) Plated  
Brass Contact, 14-20  
AWG, Reel

2.36mm Diameter, [2096101](#)  
Standard .093" Pin  
and Socket Crimp  
Terminal, Series  
1190, Male, with  
Selective Gold  
(Au) Plated Brass  
Contact, 14-20 AWG,  
Reel

2.36mm Diameter, [2096102](#)  
Standard .093" Pin  
and Socket Crimp  
Terminal, Series  
1189, Female, with  
Tin (Sn) Plated Brass  
Contact, 14-20 AWG,  
Reel

2.36mm Diameter, [2096106](#)  
Standard .093" Pin  
and Socket Crimp  
Terminal, Series  
1190, Male, with  
Gold (Au) Plated  
Brass Contact, 14-20  
AWG, Bag

2.36mm Diameter, [2096110](#)  
Standard .093" Pin  
and Socket Crimp  
Terminal, Series  
1190, Male, with  
Selective Gold  
(Au) Plated Brass  
Contact, 14-20 AWG,  
Bag

2.36mm Diameter, [2096122](#)  
Standard .093" Pin  
and Socket Crimp  
Terminal, Series  
1380, Male, with  
Gold (Au) Plated  
Brass Contact, 18-22  
AWG, Reel

2.36mm Diameter, [2096123](#)  
Standard .093" Pin  
and Socket Crimp  
Terminal, Series  
1380, Male, with  
Gold (Au) Plated

Brass Contact, 18-22  
AWG, Bag  
2.36mm Diameter, 2096125  
Standard .093" Pin  
and Socket Crimp  
Terminal, Series  
1380, Male, with  
Selective Gold  
(Au) Plated Brass  
Contact, 18-22 AWG,  
Reel  
2.36mm Diameter, 2096126  
Standard .093" Pin  
and Socket Crimp  
Terminal, Series  
1380, Male, with  
Selective Gold  
(Au) Plated Brass  
Contact, 18-22 AWG,  
Bag  
2.36mm Diameter, 2096132  
Standard .093"  
Pin and Socket  
PC Tail Terminal,  
Series 1376, Male,  
with Gold (Au)  
Plated Contact,  
Without Detent, Bag  
Packaged  
2.36mm Diameter, 2098103  
Standard .093" Pin  
and Socket Crimp  
Grounding Terminal,  
Series 1973, Male,  
with Tin (Sn) Plated  
Brass Contact, 18-22  
AWG, Reel  
2.36mm Diameter, 2098104  
Standard .093" Pin  
and Socket Crimp  
Grounding Terminal,  
Series 1973, Male,  
with Tin (Sn) Plated  
Brass Contact, 18-22  
AWG, Bag  
2.36mm Diameter, 2098108  
Standard .093" Pin  
and Socket Crimp  
Grounding Terminal,  
Series 1973, Male,  
with Tin (Sn) Plated  
Brass Contact, 14-18  
AWG, Reel  
2.36mm Diameter, 2098109  
Standard .093" Pin  
and Socket Crimp  
Grounding Terminal,  
Series 1973, Male,  
with Tin (Sn) Plated  
Brass Contact, 14-18  
AWG, Bag  
Mini-Fit Jr. 3044052  
Receptacle Housing,  
Single Row, 5

Circuits, UL 94V-2,  
Natural  
1.57mm Diameter 3061011  
Standard .062"  
Pin and Socket  
Receptacle Housing,  
1 Circuits, Natural  
1.57mm Diameter 3061022  
Standard .062"  
Pin and Socket  
Receptacle Housing,  
2 Circuits, with Pre-  
bent Mounting Ears,  
Natural  
1.57mm Diameter 3061023  
Standard .062"  
Pin and Socket  
Receptacle Housing,  
2 Circuits, without  
Mounting Ears,  
Natural  
1.57mm Diameter 3061031  
Standard .062"  
Pin and Socket  
Receptacle Housing,  
3 Circuits, with  
Standard Mounting  
Ears  
1.57mm Diameter 3061032  
Standard .062"  
Pin and Socket  
Receptacle Housing,  
3 Circuits, without  
Mounting Ears,  
Natural  
1.57mm Diameter 3061038  
Standard .062"  
Pin and Socket  
Receptacle Housing,  
3 Circuits, with Pre-  
bent Mounting Ears,  
Natural  
1.57mm Diameter 3061041  
Standard .062"  
Pin and Socket  
Receptacle Housing,  
4 Circuits, with  
Standard Mounting  
Ears  
1.57mm Diameter 3061042  
Standard .062"  
Pin and Socket  
Receptacle Housing,  
4 Circuits, without  
Mounting Ears,  
Natural  
1.57mm Diameter 3061044  
Standard .062"  
Pin and Socket  
Receptacle Housing,  
Dual Row, without  
Mounting Ears, PA  
Polyamide Nylon 6/6,  
UL 94V-2, 4 Circuits,  
Natural

|   |                |
|---|----------------|
| 1.57mm Diameter<br>Standard .062"<br>Pin and Socket<br>Receptacle Housing,<br>6 Circuits, without<br>Mounting Ears,<br>Natural        | <u>3061062</u> |
| 1.57mm Diameter<br>Standard .062"<br>Pin and Socket<br>Receptacle Housing,<br>9 Circuits, without<br>Mounting Ears,<br>Natural        | <u>3061092</u> |
| 1.57mm Diameter<br>Standard .062"<br>Pin and Socket<br>Receptacle Housing,<br>12 Circuits, with<br>Standard Mounting<br>Ears, Natural | <u>3061121</u> |
| 1.57mm Diameter<br>Standard .062"<br>Pin and Socket<br>Receptacle Housing,<br>12 Circuits, without<br>Mounting Ears,<br>Natural       | <u>3061122</u> |
| 1.57mm Diameter<br>Standard .062" Pin<br>and Socket Plug<br>Housing, 1 Circuits,<br>Natural   | <u>3062011</u> |
| 1.57mm Diameter<br>Standard .062" Pin<br>and Socket Plug<br>Housing, 2 Circuits,<br>without Mounting<br>Ears, Natural                 | <u>3062023</u> |
| 1.57mm Diameter<br>Standard .062"<br>Pin and Socket<br>Plug Housing, 2<br>Circuits, with Pre-<br>bent Mounting Ears,<br>Natural       | <u>3062024</u> |
| 1.57mm Diameter<br>Standard .062" Pin<br>and Socket Plug<br>Housing, 3 Circuits,<br>with Standard<br>Mounting Ears,<br>Natural        | <u>3062031</u> |
| 1.57mm Diameter<br>Standard .062" Pin<br>and Socket Plug<br>Housing, 3 Circuits,<br>without Mounting<br>Ears, Natural                 | <u>3062032</u> |
| 1.57mm Diameter<br>Standard .062"<br>Pin and Socket<br>Plug Housing, 3<br>Circuits, with Pre-   | <u>3062033</u> |

bent Mounting Ears,  
Natural  
1.57mm Diameter 3062041  
Standard .062" Pin  
and Socket Plug  
Housing, 4 Circuits,  
with Standard  
Mounting Ears  
1.57mm Diameter 3062042  
Standard .062" Pin  
and Socket Plug  
Housing, 4 Circuits,  
without Mounting  
Ears, Natural  
1.57mm Diameter 3062044  
Standard .062" Pin  
and Socket Plug  
Housing, Dual Row,  
without Mounting  
Ears, PA Polyamide  
Nylon 6/6, UL 94V-2,  
4 Circuits, Natural  
1.57mm Diameter 3062061  
Standard .062" Pin  
and Socket Plug  
Housing, 6 Circuits,  
without Mounting  
Ears, Natural  
1.57mm Diameter 3062092  
Standard .062" Pin  
and Socket Plug  
Housing, 9 Circuits,  
without Mounting  
Ears, Natural  
1.57mm Diameter 3062121  
Standard .062"  
Pin and Socket  
Plug Housing, 12  
Circuits, with Pre-  
bent Mounting Ears,  
Natural  
1.57mm Diameter 3062122  
Standard .062" Pin  
and Socket Plug  
Housing, 12 Circuits,  
without Mounting  
Ears, Natural  
1.57mm Diameter 3066023  
Standard .062"  
Pin and Socket  
Receptacle Housing,  
2 Circuits, without  
Mounting Ears, Black  
1.57mm Diameter 3066062  
Standard .062"  
Pin and Socket  
Receptacle Housing,  
6 Circuits, without  
Mounting Ears, Black  
1.57mm Diameter 3067023  
Standard .062" Pin  
and Socket Plug  
Housing, Black, 2  
Circuits, without  
Mounting Ears, Black



1.57mm Diameter 3067044  
Standard .062" Pin  
and Socket Plug  
Housing, Dual Row,  
without Mounting  
Ears, PA Polyamide  
Nylon 6/6, UL 94V-2,  
4 Circuits, Black

1.57mm Diameter 3067061  
Standard .062" Pin  
and Socket Plug  
Housing, 6 Circuits,  
without Mounting  
Ears, Black

2.36mm Diameter 3091011  
Standard .093"  
Pin and Socket  
Receptacle Housing,  
1 Circuit, Friction  
Lock, Natural

2.36mm Diameter 3091022  
Standard .093"  
Pin and Socket  
Receptacle Housing,  
2 Circuits, without  
Mounting Ears, with  
Ramps, Natural

2.36mm Diameter 3091027  
Standard .093"  
Pin and Socket  
Receptacle Housing,  
2 Circuits, with Pre-  
bent Mounting Ears,  
with Ramps, Natural

2.36mm Diameter 3091030  
Standard Receptacle  
Housing, 3 Circuit,  
Natural

2.36mm Diameter 3091031  
Standard .093"  
Pin and Socket  
Receptacle Housing,  
3 Circuits, Single  
Row, Natural

2.36mm Diameter 3091032  
Standard .093"  
Pin and Socket  
Receptacle Housing,  
3 Circuits, Single  
Row, Natural

2.36mm Diameter 3091033  
Standard .093"  
Pin and Socket  
Receptacle Housing,  
3 Circuits, Single  
Row, Free-Hanging,  
without Passive Lock  
Ramps, Natural

2.36mm Diameter 3091041  
Standard .093"  
Pin and Socket  
Receptacle Housing,  
4 Circuits, Single  
Row, Natural

2.36mm Diameter 3091042  
Standard .093"  
Pin and Socket  
Receptacle Housing,  
4 Circuits, Single  
Row, Natural

2.36mm Diameter 3091049  
Standard .093"  
Pin and Socket  
Receptacle Housing,  
4 Circuits, Dual Row,  
without Mounting  
Ears, Natural

2.36mm Diameter 3091061  
Standard .093"  
Pin and Socket  
Receptacle Housing,  
6 Circuits, Dual Row,  
Natural

2.36mm Diameter 3091062  
Standard .093"  
Pin and Socket  
Receptacle Housing,  
6 Circuits, Dual Row,  
Natural

2.36mm Diameter 3091063  
Standard .093"  
Pin and Socket  
Receptacle Housing,  
6 Circuits, Dual Row,  
without Panel Mount  
Ears, without Friction  
Lock Ramp

2.36mm Diameter 3091064  
Standard .093"  
Pin and Socket  
Receptacle Housing,  
6 Circuits, Dual Row,  
Natural

2.36mm Diameter 3091081  
Standard .093"  
Pin and Socket  
Receptacle Housing,  
3 Circuits, Single  
Row, Natural

2.36mm Diameter 3091091  
Standard .093"  
Pin and Socket  
Receptacle  
Housings, 9 Circuits,  
3 Rows, Natural

2.36mm Diameter 3091092  
Standard .093"  
Pin and Socket  
Receptacle  
Housings, 9 Circuits,  
3 Rows, with Panel  
Mount Ears, without  
Passive Lock Ramp

2.36mm Diameter 3091093  
Standard .093"  
Pin and Socket  
Receptacle  
Housings, 9 Circuits,  
3 Rows, without

Panel Mount Ears,  
without Passive Lock  
Ramp  
2.36mm Diameter    3091094  
Standard .093"  
Pin and Socket  
Receptacle  
Housings, 9 Circuits,  
3 Rows, Natural  
2.36mm Diameter    3091121  
Standard .093"  
Pin and Socket  
Receptacle Housing,  
12 Circuits, 3 Rows,  
Panel Mountable,  
without Passive  
Locking Ramps  
2.36mm Diameter    3091125  
Standard .093"  
Pin and Socket  
Receptacle Housing,  
12 Circuits, 3 Rows,  
Natural  
2.36mm Diameter    3091126  
Standard .093"  
Pin and Socket  
Receptacle Housing,  
12 Circuits, 3 Rows,  
Natural  
2.36mm Diameter    3091151  
Standard .093"  
Pin and Socket  
Receptacle Housing,  
15 Circuits, 3 Rows,  
with Pre-Bent  
Mounting Ears,  
without Lock Ramps  
2.36mm Diameter    3091152  
Standard .093"  
Pin and Socket  
Receptacle Housing,  
15 Circuits, 3 Rows,  
without Mounting  
Ears, without Lock  
Ramps  
2.36mm Diameter    3091153  
Standard .093"  
Pin and Socket  
Receptacle Housing,  
15 Circuits, 3 Rows,  
with Pre-bent  
Mounting Ears, with  
Lock Ramps  
2.36mm Diameter    3091157  
Standard .093"  
Pin and Socket  
Receptacle Housing,  
15 Circuits, 3 Rows,  
without Mounting  
Ears, with Lock  
Ramps  
2.36mm Diameter    3091161  
Standard .093"  
Pin and Socket  
Receptacle Housing

|  |                |
|--|----------------|
| without Mounting<br>Ears, Positive Lock,<br>2 Circuits   |                |
| 2.36mm Diameter<br>Standard .093" Pin<br>and Socket Plug<br>Housing, 1 Circuit,<br>Friction Lock, Natural                          | <u>3092011</u> |
| 2.36mm Diameter<br>Standard .093" Pin<br>and Socket Plug<br>Housing, 2 Circuits,<br>with Standard<br>Mounting Ears,<br>Natural     | <u>3092021</u> |
| 2.36mm Diameter<br>Standard .093" Pin<br>and Socket Plug<br>Housing, 2 Circuits,<br>without Mounting<br>Ears, Natural              | <u>3092022</u> |
| 2.36mm Diameter<br>Standard .093" Pin<br>and Socket Plug<br>Housing, 3 Circuits,<br>Single Row, Natural                            | <u>3092031</u> |
| 2.36mm Diameter<br>Standard .093" Pin<br>and Socket Plug<br>Housing, 3 Circuits,<br>Single Row, Natural                            | <u>3092032</u> |
| 2.36mm Diameter<br>Standard .093" Pin<br>and Socket Plug<br>Housing, 4 Circuits,<br>Single Row                                     | <u>3092041</u> |
| 2.36mm Diameter<br>Standard .093" Pin<br>and Socket Plug<br>Housing, 4 Circuits,<br>Single Row                                     | <u>3092042</u> |
| 2.36mm Diameter<br>Standard .093" Pin<br>and Socket Plug<br>Housing, 4 Circuits,<br>Dual Row, without<br>Mounting Ears,<br>Natural | <u>3092049</u> |
| 2.36mm Diameter<br>Standard .093" Pin<br>and Socket Plug<br>Housing, 6 Circuits,<br>Dual Row                                       | <u>3092061</u> |
| 2.36mm Diameter<br>Standard .093" Pin<br>and Socket Plug<br>Housing, 6 Circuits,<br>Dual Row                                       | <u>3092062</u> |
| 2.36mm Diameter<br>Standard .093" Pin<br>and Socket Plug<br>Housings, 9 Circuits,<br>3 Rows  | <u>3092092</u> |
| 2.36mm Diameter<br>Standard .093" Pin  | <u>3092121</u> |

|  |                |
|--|----------------|
| and Socket Plug<br>Housing, 12 Circuits,<br>3 Rows   |                |
| 2.36mm Diameter<br>Standard .093" Pin<br>and Socket Plug<br>Housing, 12 Circuits,<br>3 Rows  | <u>3092122</u> |
| 2.36mm Diameter<br>Standard .093" Pin<br>and Socket Plug<br>Housing, 15 Circuits,<br>3 Rows, without<br>Mounting Ears, with<br>Pull Tabs, without<br>Lock Windows        | <u>3092151</u> |
| 2.36mm Diameter<br>Standard .093" Pin<br>and Socket Plug<br>Housing, 15 Circuits,<br>3 Rows, with Pre-<br>Bent Mounting Ears,<br>without Pull Tabs,<br>with Lock Windows | <u>3092159</u> |
| 2.36mm Diameter<br>Standard .093" Pin<br>and Socket Plug<br>Housing without<br>Mounting Ears,<br>Positive Lock, 2<br>Circuits  | <u>3092161</u> |
| 2.36mm Diameter<br>Standard .093"<br>Pin and Socket<br>Receptacle Housing,<br>2 Circuits, with Pre-<br>bent Mounting Ears,<br>with Ramps, Black                          | <u>3096021</u> |
| 2.36mm Diameter<br>Standard .093" Pin<br>and Socket Plug<br>Housing, 2 Circuits,<br>without Mounting<br>Ears, Black  | <u>3097022</u> |
| 2.36mm Diameter<br>Standard .093" Pin<br>and Socket Plug<br>Housing, 2 Circuits,<br>without Mounting<br>Ears, Red  | <u>3097024</u> |
| 2.36mm Diameter<br>Standard .093" Pin<br>and Socket Plug<br>Housing, 3 Circuits,<br>Single Row, Black  | <u>3097032</u> |
| 3.18mm Diameter,<br>HCS125, Pin and<br>Socket Receptacle<br>Housing, 2 Circuits,<br>Single Row, with and<br>without Panel Mount<br>Ears                                  | <u>3121022</u> |
| 3.18mm Diameter,<br>HCS125, Pin and<br>Socket Receptacle   | <u>3121026</u> |

Housing, Single  
Row, 2 Circuits,  
Natural (Translucent)  
3.18mm Diameter, 3121036  
HCS125, Pin and  
Socket Receptacle  
Housing, Single  
Row, without Panel  
Mount Ears, 3  
Circuits, Natural,  
Nylon 94V-2  
3.18mm Diameter, 3121046  
HCS125, Pin and  
Socket Receptacle  
Housing, Single  
Row, 4 Circuits,  
Natural (Translucent)  
3.18mm Diameter, 3122022  
HCS125, Pin  
and Socket Plug  
Housing, 2 Circuits,  
Single Row, with and  
without Panel Mount  
Ears  
3.18mm Diameter, 3122025  
HCS125, Pin  
and Socket Plug  
Housing, Single  
Row, with Panel  
Mount Ears, 2  
Circuits, Natural  
(Translucent)  
3.18mm Diameter, 3122026  
HCS125, Pin  
and Socket Plug  
Housing, Single  
Row, without Panel  
Mount Ears, 2  
Circuits, Natural  
(Translucent)  
3.18mm Diameter, 3122035  
HCS125, Pin  
and Socket Plug  
Housing, Single  
Row, with Panel  
Mount Ears, 3  
Circuits, Natural,  
Nylon 94V-2  
3.18mm Diameter, 3122036  
HCS125, Pin  
and Socket Plug  
Housing, Single  
Row, without Panel  
Mount Ears, 3  
Circuits, Natural,  
Nylon 94V-2  
3.18mm Diameter, 3122045  
HCS125, Pin  
and Socket Plug  
Housing, Single  
Row, with Panel  
Mount Ears, 4  
Circuits, Natural  
(Translucent)

|  |                |
|--|----------------|
| 3.18mm Diameter,<br>HCS125, Pin<br>and Socket Plug<br>Housing, Single<br>Row, without Panel<br>Mount Ears, 4<br>Circuits, Natural<br>(Translucent) | <u>3122046</u> |
| Crimp Terminal<br>2482, 10-16 AWG,<br>Reel   | <u>5121004</u> |
| Crimp Terminal<br>2482, 10-16 AWG,<br>Bag  | <u>5121005</u> |
| Crimp Terminal<br>2482, 10-16 AWG,<br>Reel   | <u>5121006</u> |
| Crimp Terminal<br>2482, 10-16 AWG,<br>Reel   | <u>5121008</u> |
| Crimp Terminal<br>6482, 14-18 AWG,<br>Reel   | <u>5121104</u> |
| Flat Blade Appliance<br>Motor Switch Crimp<br>Housing, 10 Circuits   | <u>6021103</u> |
| Flat Blade Appliance<br>Water Valve Crimp<br>Housing, 3 Circuit,<br>Natural  | <u>6022030</u> |
| Flat Blade Appliance<br>Defrost Timer Crimp<br>Housing, 4 Circuit, 4<br>Circuits   | <u>6023042</u> |
| Flat Blade Appliance<br>Motor Switch Crimp<br>Housing, 10 Circuit,<br>10 Circuits  | <u>6023103</u> |
| Flat Blade Appliance<br>Dryer Motor Crimp<br>Housing, 10 Circuit   | <u>6023104</u> |
| KK 254 Cat Ear<br>Crimp Terminal<br>4809, 22-30 AWG,<br>Hot Tin Dip, 2.20mm<br>Insulation Crimp,<br>Reel   | <u>8500030</u> |
| KK 254 Cat Ear<br>Crimp Terminal<br>4809, 22-30 AWG,<br>Hot Tin Dip, Reel  | <u>8500031</u> |
| KK 254 Cat Ear<br>Crimp Terminal<br>4809, 22-30 AWG,<br>Hot Tin Dip, Bag   | <u>8500032</u> |
| KK 396 Crimp<br>Terminal 2478, 18-24<br>AWG, Bag, Brass Tin<br>(Sn)  | <u>8500106</u> |
| KK 254 Crimp<br>Terminal, 22-30<br>AWG, Hot Tin (Sn)<br>Dip Plating  | <u>8500113</u> |
| KK 254 Crimp<br>Terminal, 22-30  | <u>8500114</u> |

AWG, Bag, Hot Tin  
(Sn) Dip Plating  
KK 254 Crimp 8500135  
Terminal 4809, 22-30  
AWG, Hot Tin Dip,  
Reel  
KK 254 Crimp 8500136  
Terminal 4809, 22-30  
AWG, Tin, Bag  
KK 254 Crimp 8500159  
Terminal, 22-30  
AWG, Reel, Tin (Sn)  
Plating, Nickel (Ni)  
Under Plating  
KK 254 Crimp 8500160  
Terminal, 22-30  
AWG, Bag, Tin (Sn)  
Plating, Nickel (Ni)  
Under Plating  
KK 100 Crp Term 8510101  
Std 22-30 Awg Unplt  
KK 254 Crimp 8510108  
Terminal, 22-30  
AWG, Reel, Tin (Sn),  
Nickel (Ni) Under  
Plating  
KK 396 Crimp 8520072  
Terminal 2478,  
18-24 AWG, Bag,  
Phosphor Bronze,  
Tin (Sn)  
KK 254 Crimp 8520101  
Terminal 6459,  
22-30 AWG, Reel,  
Phosphor Bronze Tin  
(Sn)  
KK Trifurcon Crimp 8520112  
Terminal 6838,  
18-20 AWG, Reel,  
Phosphor Bronze  
Tin(Sn)  
KK Trifurcon Crimp 8520113  
Terminal 6838,  
18-20 AWG, Bag,  
Phosphor Bronze Tin  
(Sn)  
KK .100 CRIMP 8520118  
TERMINAL 100MI  
MATTE TIN  
KK 254 Crimp 8520123  
Terminal 6459,  
22-30 AWG, Bag,  
Phosphor Bronze Tin  
(Sn)  
KK 254 Crimp 8550101  
Terminal, 22-30  
AWG, Reel,  
Selective Gold (Au),  
Nickel (Ni) Under  
Plating  
KK 254 Crimp 8550102  
Terminal, 22-30  
AWG, Bag, Selective  
Gold (Au), Nickel (Ni)  
Under Plating



|   |                |
|---|----------------|
| KK 254 Crimp<br>Terminal 4809, 22-30<br>AWG, Selective Gold<br>(Au), Reel                               | <u>8550110</u> |
| KK 254 Crimp<br>Terminal 4809, 22-30<br>AWG, Selective Gold<br>(Au), Bag                                | <u>8550111</u> |
| KK 254 Cat Ear<br>Crimp Terminal<br>4809, 22-30 AWG,<br>Selective Gold, Reel                            | <u>8550112</u> |
| KK 254 Crimp<br>Terminal, 22-30<br>AWG, Reel,<br>Selective Gold (Au),<br>Nickel (Ni) Under<br>Plating   | <u>8550130</u> |
| KK 254 Crimp<br>Terminal, 22-30<br>AWG, Bag, Selective<br>Gold (Au), Nickel (Ni)<br>Under Plating       | <u>8550131</u> |
| KK 254 Crimp<br>Terminal, 22-30<br>AWG, Reel, Gold<br>(Au), Nickel (Ni)<br>Under Plating                | <u>8560109</u> |
| KK 254 Crimp<br>Terminal, 22-30<br>AWG, Bag, Gold<br>(Au), Nickel (Ni)<br>Under Plating                 | <u>8560110</u> |
| KK 254 Crimp<br>Terminal 4809, 22-30<br>AWG, Selective Gold<br>(Au), Bag                                | <u>8560115</u> |
| KK 254 Crimp<br>Terminal 4809, 22-30<br>AWG, Selective Gold<br>(Au), Reel                               | <u>8560120</u> |
| KK 396 Crimp<br>Terminal 2578,<br>22-26 AWG, Reel,<br>Phosphor Bronze,<br>0.38µm Selective<br>Gold (Au) | <u>8650116</u> |
| KK Trifurcon Crimp<br>Terminal 7258,<br>22-26 AWG, Bag,<br>Phosphor Bronze<br>Selective Gold (Au)       | <u>8650122</u> |
| KK 100 Crp Term<br>Std 22-30 Awg<br>SGold   | <u>8650801</u> |
| KK 100 Crp Term<br>Std 22-30 Awg<br>SGold   | <u>8650811</u> |
| KK 100 Crp Term<br>Std 22-30 Awg<br>SGold   | <u>8650812</u> |
| KK 254 Crimp<br>Terminal 6459,<br>22-30 AWG, Reel,  | <u>8650813</u> |

|   |                |
|---|----------------|
| Phosphor Bronze<br>Gold (Au)<br>KK 254 Crimp<br>Terminal 6459,<br>22-30 AWG, Bag,<br>Phosphor Bronze<br>Gold (Au)                         | <u>8650814</u> |
| KK 254 Crimp<br>Terminal 6459,<br>22-30 AWG, Reel,<br>Phosphor Bronze<br>Selective Gold (Au)  | <u>8650815</u> |
| KK 254 Crimp<br>Terminal 6459,<br>22-30 AWG, Bag,<br>Phosphor Bronze<br>Selective Gold (Au)   | <u>8650816</u> |
| KK 100 Crp Term<br>Std 22-30 Awg<br>SGold   | <u>8650817</u> |
| 3.96 and 5.08mm<br>Pitch KK Cat Ear<br>Crimp Terminal,<br>Female, 18-24 AWG,<br>Reel  | <u>8700012</u> |
| 3.96mm Pitch KK<br>Crimp Housing, Edge<br>Card Connector,<br>Single-Sided,<br>Polarized, Positive<br>Lock, with Probe<br>Hole, 3 Circuits | <u>9011036</u> |
| KK 396 PC Board<br>Connector, Right<br>Angle, Polyester<br>Connector, 5.00µm<br>Tin (Sn), 2 Circuits                                      | <u>9481024</u> |
| KK 396 PC Board<br>Connector, Right<br>Angle, Polyester<br>Connector, 5.00µm<br>Tin (Sn), 10 Circuits                                     | <u>9481104</u> |
| KK 396 PC Board<br>Connector, Top<br>Entry, Polyester<br>Connector, Gold (Au)<br>Selective, 10 Circuits                                   | <u>9481105</u> |
| KK 396 PC Board<br>Connector, Bottom<br>Entry, Polyester<br>Connector, Gold (Au)<br>Selective, 2 Circuits                                 | <u>9483024</u> |
| KK 396 PC Board<br>Connector, Right<br>Angle, Polyester<br>Connector, Gold (Au)<br>Selective, 2 Circuits                                  | <u>9483025</u> |
| KK 396 PC Board<br>Connector, Top<br>Entry, Polyester<br>Connector, Gold (Au)<br>Selective, 2 Circuits                                    | <u>9483026</u> |
| KK 396 PC Board<br>Connector, Bottom<br>Entry, Polyester  | <u>9483104</u> |

Connector, Gold (Au)  
Selective, 10 Circuits  
KK 396 PC Board 9483105  
Connector, Right-  
Angle, Polyester  
Connector, Gold (Au)  
Selective, 10 Circuits  
KK 396 PC Board 9483106  
Connector, Top  
Entry, Polyester  
Connector, Gold (Au)  
Selective, 10 Circuits  
KK 396 PC Board 9484028  
Connector, Top  
Entry, Polyester  
Connector, 5.00µm  
Tin (Sn), 2 Circuits  
KK 396 PC Board 9484029  
Connector, Bottom  
Entry, Polyester  
Connector, 5.00µm  
Tin (Sn), 2 Circuits  
KK 396 PC Board 9484039  
Connector, Bottom  
Entry, Polyester  
Connector, 5.00µm  
Tin (Sn), 3 Circuits  
KK 396 PC Board 9484099  
Connector, Bottom  
Entry, Polyester  
Connector, 5.00µm  
Tin (Sn), 9 Circuits  
KK 396 PC Board 9484108  
Connector, Top  
Entry, Polyester  
Connector, 5.00µm  
Tin (Sn), 10 Circuits  
KK 396 PC Board 9484109  
Connector, Bottom  
Entry, Polyester  
Connector, 5.00µm  
Tin (Sn), 10 Circuits  
KK 396 PC Board 9484118  
Connector, Top  
Entry, Polyester  
Connector, 5.00µm  
Tin (Sn), 11 Circuits  
KK 396 PC Board 9484149  
Connector, Bottom  
Entry, Polyester  
Connector, 5.00µm  
Tin (Sn), 14 Circuits  
3.96mm Pitch SPOX 9501021  
Crimp Housing,  
Female, with Friction  
Ramp, 2 Circuits,  
Natural  
3.96mm Pitch SPOX 9501023  
Crimp Housing,  
Female, with Friction  
Ramp and Void, 2  
Circuits, Natural  
3.96mm Pitch SPOX 9501031  
Crimp Housing,  
Female, with Friction

Ramp, 3 Circuits,  
Natural  
3.96mm Pitch SPOX [9501033](#)  
Crimp Housing,  
Female, with Friction  
Ramp and Void, 3  
Circuits, Natural  
3.96mm Pitch SPOX [9501041](#)  
Crimp Housing,  
Female, with Friction  
Ramp, 4 Circuits,  
Natural  
3.96mm Pitch SPOX [9501043](#)  
Crimp Housing,  
Female, with Friction  
Ramp and Void, 4  
Circuits, Natural  
3.96mm Pitch SPOX [9501051](#)  
Crimp Housing,  
Female, with Friction  
Ramp, 5 Circuits,  
Natural  
3.96mm Pitch SPOX [9501053](#)  
Crimp Housing,  
Female, with Friction  
Ramp and Void, 5  
Circuits, Natural  
3.96mm Pitch SPOX [9501061](#)  
Crimp Housing,  
Female, with Friction  
Ramp, 6 Circuits,  
Natural  
3.96mm Pitch SPOX [9501063](#)  
Crimp Housing,  
Female, with Friction  
Ramp and Void, 6  
Circuits, Natural  
3.96mm Pitch SPOX [9501071](#)  
Crimp Housing,  
Female, with Friction  
Ramp, 7 Circuits,  
Natural  
3.96mm Pitch SPOX [9501073](#)  
Crimp Housing,  
Female, with Friction  
Ramp and Void, 7  
Circuits, Natural  
3.96mm Pitch SPOX [9501081](#)  
Crimp Housing,  
Female, with Friction  
Ramp, 8 Circuits,  
Natural  
3.96mm Pitch SPOX [9501083](#)  
Crimp Housing,  
Female, with Friction  
Ramp and Void, 8  
Circuits, Natural  
3.96mm Pitch SPOX [9501091](#)  
Crimp Housing,  
Female, with Friction  
Ramp, 9 Circuits,  
Natural  
3.96mm Pitch SPOX [9501101](#)  
Crimp Housing,  
Female, with Friction

Ramp, 10 Circuits,  
Natural  
3.96mm Pitch SPOX [9501103](#)  
Crimp Housing,  
Female, with Friction  
Ramp and Void, 10  
Circuits, Natural  
3.96mm Pitch SPOX [9501111](#)  
Crimp Housing,  
Female, with Friction  
Ramp, 11 Circuits,  
Natural  
3.96mm Pitch SPOX [9501113](#)  
Crimp Housing,  
Female, with Friction  
Ramp and Void, 11  
Circuits, Natural  
3.96mm Pitch SPOX [9501121](#)  
Crimp Housing,  
Female, with Friction  
Ramp, 12 Circuits,  
Natural  
KK 3.96mm Crimp [9503021](#)  
Terminal Housing,  
Friction Ramp, 2  
Circuits, Natural  
KK 3.96mm Crimp [9503031](#)  
Terminal Housing,  
Friction Ramp, 3  
Circuits, Natural  
KK 3.96mm Crimp [9503041](#)  
Terminal Housing,  
Friction Ramp, 4  
Circuits, Natural  
KK 3.96mm Crimp [9503051](#)  
Terminal Housing,  
Friction Ramp, 5  
Circuits, Natural  
KK 3.96mm Crimp [9503061](#)  
Terminal Housing,  
Friction Ramp, 6  
Circuits, Natural  
KK 3.96mm Crimp [9503071](#)  
Terminal Housing,  
Friction Ramp, 7  
Circuits, Natural  
KK 3.96mm Crimp [9503081](#)  
Terminal Housing,  
Friction Ramp, 8  
Circuits, Natural  
KK 3.96mm Crimp [9503091](#)  
Terminal Housing,  
Friction Ramp, 9  
Circuits, Natural  
KK 3.96mm Crimp [9503101](#)  
Terminal Housing,  
Friction Ramp, 10  
Circuits, Natural  
KK 3.96mm Crimp [9503111](#)  
Terminal Housing,  
Friction Ramp, 11  
Circuits, Natural  
KK 3.96mm Crimp [9503121](#)  
Terminal Housing,

|  |                |
|--|----------------|
| Friction Ramp, 12<br>Circuits, Natural<br>KK 3.96mm Crimp<br>Terminal Housing,   | <u>9503131</u> |
| Friction Ramp, 13<br>Circuits, Natural<br>KK 3.96mm Crimp<br>Terminal Housing,   | <u>9503141</u> |
| Friction Ramp, 14<br>Circuits, Natural<br>KK 3.96mm Crimp<br>Terminal Housing,   | <u>9503151</u> |
| Friction Ramp, 15<br>Circuits, Natural<br>KK 3.96mm Crimp<br>Terminal Housing,   | <u>9503161</u> |
| Friction Ramp, 16<br>Circuits, Natural<br>KK 3.96mm Crimp<br>Terminal Housing,   | <u>9503171</u> |
| Friction Ramp, 17<br>Circuits, Natural<br>KK 3.96mm Crimp<br>Terminal Housing,   | <u>9503181</u> |
| Friction Ramp, 18<br>Circuits, Natural<br>KK 3.96mm Crimp<br>Terminal Housing,   | <u>9503191</u> |
| Friction Ramp, 19<br>Circuits, Natural<br>KK 3.96mm Crimp<br>Terminal Housing,   | <u>9503201</u> |
| Friction Ramp, 20<br>Circuits, Natural<br>KK 3.96mm Crimp<br>Terminal Housing,   | <u>9503211</u> |
| Friction Ramp, 21<br>Circuits, Natural<br>KK 3.96mm Crimp<br>Terminal Housing,   | <u>9503221</u> |
| Friction Ramp, 22<br>Circuits, Natural<br>KK 3.96mm Crimp<br>Terminal Housing,   | <u>9503231</u> |
| Friction Ramp, 23<br>Circuits, Natural<br>KK 3.96mm Crimp<br>Terminal Housing,   | <u>9503241</u> |
| Friction Ramp, 24<br>Circuits, Natural<br>KK 3.96mm Crimp<br>Terminal Housing, 2 | <u>9507021</u> |
| Circuits, Natural<br>KK 3.96mm Crimp<br>Terminal Housing, 3                      | <u>9507031</u> |
| Circuits, Natural<br>KK 3.96mm Crimp<br>Terminal Housing, 4                      | <u>9507041</u> |
| Circuits, Natural<br>KK 3.96mm Crimp<br>Terminal Housing, 5                      | <u>9507051</u> |
| Circuits, Natural<br>KK 3.96mm Crimp<br>Terminal Housing, 6                      | <u>9507061</u> |
| Circuits, Natural  |                |

KK 3.96mm Crimp 9507071  
Terminal Housing, 7  
Circuits, Natural

KK 3.96mm Crimp 9507081  
Terminal Housing, 8  
Circuits, Natural

KK 3.96mm Crimp 9507091  
Terminal Housing, 9  
Circuits, Natural

KK 3.96mm Crimp 9507101  
Terminal Housing, 10  
Circuits, Natural

KK 3.96mm Crimp 9507111  
Terminal Housing, 11  
Circuits, Natural

KK 3.96mm Crimp 9507121  
Terminal Housing, 12  
Circuits, Natural

KK 3.96mm Crimp 9507131  
Terminal Housing, 13  
Circuits, Natural

KK 3.96mm Crimp 9507141  
Terminal Housing, 14  
Circuits, Natural

KK 3.96mm Crimp 9507151  
Terminal Housing, 15  
Circuits, Natural

KK 3.96mm Crimp 9507161  
Terminal Housing, 16  
Circuits, Natural

KK 3.96mm Crimp 9507171  
Terminal Housing, 17  
Circuits, Natural

KK 3.96mm Crimp 9507181  
Terminal Housing, 18  
Circuits, Natural

KK 3.96mm Crimp 9507191  
Terminal Housing, 19  
Circuits, Natural

KK 3.96mm Crimp 9507201  
Terminal Housing, 20  
Circuits, Natural

KK 3.96mm Crimp 9507211  
Terminal Housing, 21  
Circuits, Natural

KK 3.96mm Crimp 9507221  
Terminal Housing, 22  
Circuits, Natural

KK 3.96mm Crimp 9507231  
Terminal Housing, 23  
Circuits, Natural

KK 3.96mm Crimp 9507241  
Terminal Housing, 24  
Circuits, Natural

KK 3.96mm Crimp 9508020  
Terminal Housing, 2  
Circuits, Natural

KK 3.96mm Crimp 9508021  
Terminal Housing,  
Friction Ramp, 2  
Circuits, Natural

KK 3.96mm Crimp 9508023  
Terminal Housing,  
Friction Ramp, 2  
Circuits, Natural

|   |                |
|---|----------------|
| KK 3.96mm Crimp Terminal Housing, Friction Ramp, 4 Circuits, Natural                      | <u>9508041</u> |
| KK 3.96mm Crimp Terminal Housing, Friction Ramp, 4 Circuits, Natural                      | <u>9508043</u> |
| KK 3.96mm Crimp Terminal Housing, Friction Ramp, 9 Circuits, Natural                      | <u>9508093</u> |
| KK 3.96mm Crimp Terminal Housing, 10 Circuits, Natural                                    | <u>9508100</u> |
| KK 3.96mm Crimp Terminal Housing, Friction Ramp, 10 Circuits, Natural                     | <u>9508101</u> |
| KK 3.96mm Crimp Terminal Housing, Friction Ramp, 10 Circuits, Natural                     | <u>9508103</u> |
| KK 3.96mm Crimp Terminal Housing, Friction Ramp, 14 Circuits, Natural                     | <u>9508141</u> |
| 3.96mm Pitch KK Crimp Housing, Female, Friction Ramp, 2 Circuits, Natural                 | <u>9524024</u> |
| 3.96mm Pitch KK Crimp Housing, Female, Friction Ramp, 3 Circuits, Natural                 | <u>9524034</u> |
| 3.96mm Pitch KK Crimp Housing, Female, Friction Ramp, 4 Circuits, Natural                 | <u>9524044</u> |
| 3.96mm Pitch KK Crimp Housing, Female, Friction Ramp, 5 Circuits, Natural                 | <u>9524054</u> |
| 3.96mm Pitch KK Crimp Housing, Female, Friction Ramp, 6 Circuits, Natural                 | <u>9524064</u> |
| SPOX and KK 396 Wire-to-Board Header, Vertical, with Friction Lock, 2 Circuits            | <u>9652028</u> |
| SPOX and KK 396 Wire-to-Board Header, Vertical, with Friction Lock, with Void, 2 Circuits | <u>9652029</u> |
| SPOX and KK 396 Wire-to-Board Header, Vertical,   | <u>9652038</u> |



with Friction Lock, 3  
Circuits  
SPOX and KK 9652039  
396 Wire-to-Board  
Header, Vertical, with  
Friction Lock, with  
Void, 3 Circuits  
SPOX and KK 9652048  
396 Wire-to-Board  
Header, Vertical,  
with Friction Lock, 4  
Circuits  
SPOX and KK 9652049  
396 Wire-to-Board  
Header, Vertical, with  
Friction Lock, with  
Void, 4 Circuits  
SPOX and KK 9652058  
396 Wire-to-Board  
Header, Vertical,  
with Friction Lock, 5  
Circuits  
SPOX and KK 9652068  
396 Wire-to-Board  
Header, Vertical,  
with Friction Lock, 6  
Circuits  
SPOX and KK 9652069  
396 Wire-to-Board  
Header, Vertical, with  
Friction Lock, with  
Void, 6 Circuits  
SPOX and KK 9652078  
396 Wire-to-Board  
Header, Vertical,  
with Friction Lock, 7  
Circuits  
SPOX and KK 9652079  
396 Wire-to-Board  
Header, Vertical, with  
Friction Lock, with  
Void, 7 Circuits  
SPOX and KK 9652088  
396 Wire-to-Board  
Header, Vertical,  
with Friction Lock, 8  
Circuits  
SPOX and KK 9652089  
396 Wire-to-Board  
Header, Vertical, with  
Friction Lock, with  
Void, 8 Circuits  
KK 3.96mm Crimp 9930200  
Terminal Housing,  
Friction Ramp, 2  
Circuits, Glow-Wire  
Capable  
KK 3.96mm Crimp 9930300  
Terminal Housing,  
Friction Ramp, 3  
Circuits, Glow-Wire  
Capable  
KK 3.96mm Crimp 9930400  
Terminal Housing,  
Friction Ramp, 4

|   |                 |
|---|-----------------|
| Circuits, Glow-Wire Capable                         |                 |
| KK 3.96mm Crimp Terminal Housing, Friction Ramp, 5  | <u>9930500</u>  |
| Circuits, Glow-Wire Capable                         |                 |
| KK 3.96mm Crimp Terminal Housing, Friction Ramp, 6  | <u>9930600</u>  |
| Circuits, Glow-Wire Capable                         |                 |
| KK 3.96mm Crimp Terminal Housing, Friction Ramp, 7  | <u>9930700</u>  |
| Circuits, Glow-Wire Capable                         |                 |
| KK 3.96mm Crimp Terminal Housing, Friction Ramp, 8  | <u>9930800</u>  |
| Circuits, Glow-Wire Capable                         |                 |
| KK 3.96mm Crimp Terminal Housing, Friction Ramp, 9  | <u>9930900</u>  |
| Circuits, Glow-Wire Capable                         |                 |
| KK 3.96mm Crimp Terminal Housing, Friction Ramp, 10 | <u>9931000</u>  |
| Circuits, Glow-Wire Capable                         |                 |
| KK 3.96mm Crimp Terminal Housing, Friction Ramp, 11 | <u>9931100</u>  |
| Circuits, Glow-Wire Capable                         |                 |
| KK 3.96mm Crimp Terminal Housing, Friction Ramp, 12 | <u>9931200</u>  |
| Circuits, Glow-Wire Capable                         |                 |
| KK 3.96mm Crimp Terminal Housing, Friction Ramp, 13 | <u>9931300</u>  |
| Circuits, Glow-Wire Capable                         |                 |
| KK 3.96mm Crimp Terminal Housing, Friction Ramp, 14 | <u>9931400</u>  |
| Circuits, Glow-Wire Capable                         |                 |
| KK 3.96mm Crimp Terminal Housing, Friction Ramp, 15 | <u>9931500</u>  |
| Circuits, Glow-Wire Capable                         |                 |
| 15 PIN MICRO-D FEMAL ASSY M8351309B11               | <u>10008503</u> |
| 15/C METALSHELL RECEPT.WIRED                        | <u>10008637</u> |
| 15/C METAL SHELL PLUG WIRED                         | <u>10008638</u> |

|  |                 |
|--|-----------------|
| 25/C RECEP.<br>HARNESS ASSY  | <u>10008645</u> |
| 37/C RECEP.<br>HARNESS ASSY  | <u>10008647</u> |
| STAT. 3CKT<br>RECEP. PIN 1/4 IN 1<br>FT                                | <u>10008653</u> |
| R/A 3CKT PLUG<br>SOC. INSERT PUR<br>12 FEET                            | <u>10008654</u> |
| 15/C M SHELL<br>RECEPT. WIRED<br>72.0                                  | <u>10008655</u> |
| 5.08mm Pitch KK<br>Crimp Terminal<br>Housing, 2 Circuits,<br>Natural   | <u>10011024</u> |
| 5.08mm Pitch KK<br>Crimp Terminal<br>Housing, 3 Circuits,<br>Natural   | <u>10011034</u> |
| 5.08mm Pitch KK<br>Crimp Terminal<br>Housing, 4 Circuits,<br>Natural   | <u>10011044</u> |
| 5.08mm Pitch KK<br>Crimp Terminal<br>Housing, 5 Circuits,<br>Natural   | <u>10011054</u> |
| 5.08mm Pitch KK<br>Crimp Terminal<br>Housing, 6 Circuits,<br>Natural   | <u>10011064</u> |
| 5.08mm Pitch KK<br>Crimp Terminal<br>Housing, 7 Circuits,<br>Natural   | <u>10011074</u> |
| 5.08mm Pitch KK<br>Crimp Terminal<br>Housing, 8 Circuits,<br>Natural   | <u>10011084</u> |
| 5.08mm Pitch KK<br>Crimp Terminal<br>Housing, 9 Circuits,<br>Natural   | <u>10011094</u> |
| 5.08mm Pitch KK<br>Crimp Terminal<br>Housing, 10 Circuits,<br>Natural  | <u>10011104</u> |
| 5.08mm Pitch KK<br>Crimp Terminal<br>Housing, 11 Circuits,<br>Natural  | <u>10011114</u> |
| 5.08mm Pitch KK<br>Crimp Terminal<br>Housing, 12 Circuits,<br>Natural  | <u>10011124</u> |
| 5.08mm Pitch SPOX<br>Crimp Terminal<br>Housing, 2 Circuits,<br>Natural | <u>10013026</u> |
| 5.08mm Pitch SPOX<br>Crimp Terminal<br>Housing, 3 Circuits,<br>Natural | <u>10013036</u> |

5.08mm Pitch SPOX [10013046](#)  
Crimp Terminal  
Housing, 4 Circuits,  
Natural

5.08mm Pitch SPOX [10013056](#)  
Crimp Terminal  
Housing, 5 Circuits,  
Natural

5.08mm Pitch SPOX [10013066](#)  
Crimp Terminal  
Housing, 6 Circuits,  
Natural

5.08mm Pitch SPOX [10013076](#)  
Crimp Terminal  
Housing, 7 Circuits,  
Natural

5.08mm Pitch SPOX [10013086](#)  
Crimp Terminal  
Housing, 8 Circuits,  
Natural

5.08mm Pitch SPOX [10013096](#)  
Crimp Terminal  
Housing, 9 Circuits,  
Natural

KK PC Board [10021022](#)  
Connector, Bottom  
Entry Mount Style B,  
1.00µm Tin (Sn), 2  
Circuits

KK PC Board [10021032](#)  
Connector, Bottom  
Entry Mount Style B,  
1.00µm Tin (Sn), 3  
Circuits

KK PC Board [10021042](#)  
Connector, Bottom  
Entry Mount Style B,  
1.00µm Tin (Sn), 4  
Circuits

KK PC Board [10021052](#)  
Connector, Bottom  
Entry Mount Style B,  
1.00µm Tin (Sn), 5  
Circuits

KK PC Board [10021062](#)  
Connector, Bottom  
Entry Mount Style B,  
1.00µm Tin (Sn), 6  
Circuits

KK PC Board [10021072](#)  
Connector, Bottom  
Entry Mount Style B,  
1.00µm Tin (Sn), 7  
Circuits

KK PC Board [10021082](#)  
Connector, Bottom  
Entry Mount Style B,  
1.00µm Tin (Sn), 8  
Circuits

KK PC Board [10021092](#)  
Connector, Bottom  
Entry Mount Style B,  
1.00µm Tin (Sn), 9  
Circuits

KK PC Board 10021102  
Connector, Bottom  
Entry Mount Style B,  
1.00µm Tin (Sn), 10  
Circuits

KK PC Board 10021112  
Connector, Bottom  
Entry Mount Style B,  
1.00µm Tin (Sn), 11  
Circuits

KK PC Board 10021122  
Connector, Bottom  
Entry Mount Style B,  
1.00µm Tin (Sn), 12  
Circuits

5.08mm Pitch KK 10061045  
Header, Right  
Angle, Square Pin,  
4 Circuits, Tin (Sn)  
Plating

KK Header, Right 10061055  
Angle, Square Pin,  
5 Circuits, Tin (Sn)  
Plating

KK Header, Vertical, 10081021  
Round Pin, 2  
Circuits, Tin (Sn)  
Plating, Pin Length  
19.05mm

KK Header, Vertical, 10081022  
Round Pin, 2  
Circuits, Tin (Sn)  
Plating, Pin Length  
23.80mm

KK Header, Vertical, 10081029  
Round Pin, 2  
Circuits, Tin (Sn)  
Plating, Pin Length  
20.32mm

KK Header, Vertical, 10081031  
Round Pin, 3  
Circuits, Tin (Sn)  
Plating, Pin Length  
19.05mm

KK Header, Vertical, 10081039  
Round Pin, 3  
Circuits, Tin (Sn)  
Plating, Pin Length  
20.32mm

KK Header, Vertical, 10081041  
Round Pin, 4  
Circuits, Tin (Sn)  
Plating, Pin Length  
19.05mm

KK Header, Vertical, 10081049  
Round Pin, 4  
Circuits, Tin (Sn)  
Plating, Pin Length  
20.32mm

KK Header, Vertical, 10081051  
Round Pin, 5  
Circuits, Tin (Sn)  
Plating, Pin Length  
19.05mm

KK Header, Vertical, [10081061](#)  
Round Pin, 6  
Circuits, Tin (Sn)  
Plating, Pin Length  
19.05mm

KK Header, Vertical, [10081069](#)  
Round Pin, 6  
Circuits, Tin (Sn)  
Plating, Pin Length  
20.32mm

KK Header, Vertical, [10081071](#)  
Round Pin, 7  
Circuits, Tin (Sn)  
Plating, Pin Length  
19.05mm

KK Header, Vertical, [10081081](#)  
Round Pin, 8  
Circuits, Tin (Sn)  
Plating, Pin Length  
19.05mm

KK Header, Vertical, [10081082](#)  
Round Pin, 8  
Circuits, Tin (Sn)  
Plating, Pin Length  
23.80mm

KK Header, Vertical, [10081089](#)  
Round Pin, 8  
Circuits, Tin (Sn)  
Plating, Pin Length  
20.32mm

KK Header, Vertical, [10081091](#)  
Round Pin, 9  
Circuits, Tin (Sn)  
Plating, Pin Length  
19.05mm

KK Header, Vertical, [10081101](#)  
Round Pin, 10  
Circuits, Tin (Sn)  
Plating, Pin Length  
19.05mm

KK Header, Vertical, [10081102](#)  
Round Pin, 10  
Circuits, Tin (Sn)  
Plating, Pin Length  
23.80mm

KK Header, Vertical, [10081111](#)  
Round Pin, 11  
Circuits, Tin (Sn)  
Plating, Pin Length  
19.05mm

KK Header, Vertical, [10081112](#)  
Round Pin, 11  
Circuits, Tin (Sn)  
Plating, Pin Length  
23.80mm

KK Header, Vertical, [10081121](#)  
Round Pin, 12  
Circuits, Tin (Sn)  
Plating, Pin Length  
19.05mm

KK Header, Vertical, [10085021](#)  
with Polarizing  
Backwall, 2 Circuits,  
Tin (Sn) Plating

KK Header, Vertical, 10085031  
with Polarizing  
Backwall, 3 Circuits,  
Tin (Sn) Plating  
KK Header, Vertical, 10085041  
with Polarizing  
Backwall, 4 Circuits,  
Tin (Sn) Plating  
KK Header, Vertical, 10085051  
with Polarizing  
Backwall, 5 Circuits,  
Tin (Sn) Plating  
KK Header, Vertical, 10085061  
with Polarizing  
Backwall, 6 Circuits,  
Tin (Sn) Plating  
KK Header, Vertical, 10085071  
with Polarizing  
Backwall, 7 Circuits,  
Tin (Sn) Plating  
KK Header, Vertical, 10085081  
with Polarizing  
Backwall, 8 Circuits,  
Tin (Sn) Plating  
KK Header, Vertical, 10085091  
with Polarizing  
Backwall, 9 Circuits,  
Tin (Sn) Plating  
KK Header, Vertical, 10085101  
with Polarizing  
Backwall, 10 Circuits,  
Tin (Sn) Plating  
KK Header, Vertical, 10085111  
with Polarizing  
Backwall, 11 Circuits,  
Tin (Sn) Plating  
KK Header, Vertical, 10085121  
with Polarizing  
Backwall, 12 Circuits,  
Tin (Sn) Plating  
KK PC Board 10101021  
Connector, Right-  
Angle Mount Style A,  
1.00 $\mu$ m Tin (Sn), 2  
Circuits  
KK PC Board 10101023  
Connector, Top  
Entry Mount Style C,  
1.00 $\mu$ m Tin (Sn), 2  
Circuits  
KK PC Board 10101031  
Connector, Right-  
Angle Mount Style A,  
1.00 $\mu$ m Tin (Sn), 3  
Circuits  
KK PC Board 10101033  
Connector, Top  
Entry Mount Style C,  
1.00 $\mu$ m Tin (Sn), 3  
Circuits  
KK PC Board 10101041  
Connector, Right-  
Angle Mount Style A,  
1.00 $\mu$ m Tin (Sn), 4  
Circuits

|   |                 |
|---|-----------------|
| KK PC Board<br>Connector, Top<br>Entry Mount Style C,<br>1.00µm Tin (Sn), 4<br>Circuits     | <u>10101043</u> |
| KK PC Board<br>Connector, Right-<br>Angle Mount Style A,<br>1.00µm Tin (Sn), 5<br>Circuits  | <u>10101051</u> |
| KK PC Board<br>Connector, Top<br>Entry Mount Style C,<br>1.00µm Tin (Sn), 5<br>Circuits     | <u>10101053</u> |
| KK PC Board<br>Connector, Right-<br>Angle Mount Style A,<br>1.00µm Tin (Sn), 6<br>Circuits  | <u>10101061</u> |
| KK PC Board<br>Connector, Top<br>Entry Mount Style C,<br>1.00µm Tin (Sn), 6<br>Circuits     | <u>10101063</u> |
| KK PC Board<br>Connector, Right-<br>Angle Mount Style A,<br>1.00µm Tin (Sn), 7<br>Circuits  | <u>10101071</u> |
| KK PC Board<br>Connector, Top<br>Entry Mount Style C,<br>1.00µm Tin (Sn), 7<br>Circuits     | <u>10101073</u> |
| KK PC Board<br>Connector, Right-<br>Angle Mount Style A,<br>1.00µm Tin (Sn), 8<br>Circuits  | <u>10101081</u> |
| KK PC Board<br>Connector, Top<br>Entry Mount Style C,<br>1.00µm Tin (Sn), 8<br>Circuits     | <u>10101083</u> |
| KK PC Board<br>Connector, Right-<br>Angle Mount Style A,<br>1.00µm Tin (Sn), 9<br>Circuits  | <u>10101091</u> |
| KK PC Board<br>Connector, Top<br>Entry Mount Style C,<br>1.00µm Tin (Sn), 9<br>Circuits     | <u>10101093</u> |
| KK PC Board<br>Connector, Right-<br>Angle Mount Style A,<br>1.00µm Tin (Sn), 10<br>Circuits | <u>10101101</u> |
| KK PC Board<br>Connector, Top<br>Entry Mount Style C,<br>1.00µm Tin (Sn), 10<br>Circuits    | <u>10101103</u> |



|   |                 |
|---|-----------------|
| KK PC Board<br>Connector, Right-<br>Angle Mount Style A,<br>1.00µm Tin (Sn), 11<br>Circuits | <u>10101111</u> |
| KK PC Board<br>Connector, Top<br>Entry Mount Style C,<br>1.00µm Tin (Sn), 11<br>Circuits    | <u>10101113</u> |
| KK PC Board<br>Connector, Right-<br>Angle Mount Style A,<br>1.00µm Tin (Sn), 12<br>Circuits | <u>10101121</u> |
| KK PC Board<br>Connector, Top<br>Entry Mount Style C,<br>1.00µm Tin (Sn), 12<br>Circuits    | <u>10101123</u> |
| KK 254 Crimp<br>Housing, High<br>Pressure, 2 Circuits,<br>Natural                           | <u>10112023</u> |
| KK 254 Crimp<br>Housing, High<br>Pressure, 3 Circuits,<br>Natural                           | <u>10112033</u> |
| KK 254 Crimp<br>Housing, High<br>Pressure, 4 Circuits,<br>Natural                           | <u>10112043</u> |
| KK 254 Crimp<br>Housing, High<br>Pressure, 5 Circuits,<br>Natural                           | <u>10112053</u> |
| KK 254 Crimp<br>Housing, High<br>Pressure, 6 Circuits,<br>Natural                           | <u>10112063</u> |
| KK 254 Crimp<br>Housing, High<br>Pressure, 7 Circuits,<br>Natural                           | <u>10112073</u> |
| KK 254 Crimp<br>Housing, High<br>Pressure, 8 Circuits,<br>Natural                           | <u>10112083</u> |
| KK 254 Crimp<br>Housing, High<br>Pressure, 9 Circuits,<br>Natural                           | <u>10112093</u> |
| KK 254 Crimp<br>Housing, High<br>Pressure, 10<br>Circuits, Natural                          | <u>10112103</u> |
| KK 254 Crimp<br>Housing, High<br>Pressure, 11 Circuit                                       | <u>10112113</u> |
| KK 254 Crimp<br>Housing, High<br>Pressure, 12<br>Circuits, Natural                          | <u>10112123</u> |
| KK 254 Crimp<br>Housing, High   | <u>10112133</u> |

|   |                 |
|---|-----------------|
| Pressure, 13<br>Circuits, Natural<br>KK 254 Crimp<br>Housing, High  | <u>10112143</u> |
| Pressure, 14<br>Circuits, Natural<br>KK 254 Crimp<br>Housing, High  | <u>10112153</u> |
| Pressure, 15<br>Circuits, Natural<br>KK 254 Crimp<br>Housing, High  | <u>10112163</u> |
| Pressure, 16<br>Circuits, Natural<br>KK 254 Crimp<br>Housing, High  | <u>10112173</u> |
| Pressure, 17<br>Circuits, Natural<br>KK 254 Crimp<br>Housing, High  | <u>10112183</u> |
| Pressure, 18<br>Circuits, Natural<br>2.36mm Diameter<br>Standard .093" Pin<br>and Socket Header,<br>Shrouded, 3 Circuits,<br>2 Male Terminals | <u>10181031</u> |
| 2.36mm Diameter<br>Standard .093" Pin<br>and Socket Header,<br>Shrouded, 3 Circuits,<br>3 Male Terminals                                      | <u>10181032</u> |
| 2.36mm Diameter<br>Standard .093" Pin<br>and Socket Header,<br>Shrouded, 3 Circuits,<br>1 Female Terminal, 2<br>Male Terminals                | <u>10181033</u> |
| 2.36mm Diameter<br>Standard .093" Pin<br>and Socket Header,<br>Shrouded, 3 Circuits,<br>1 Female Terminal, 2<br>Male Terminals                | <u>10181034</u> |
| 2.36mm Diameter<br>Standard .093" Pin<br>and Socket Header,<br>Shrouded, 3 Circuits,<br>2 Male Terminals, 1<br>Female Terminal                | <u>10181035</u> |
| 2.36mm Diameter<br>Standard .093" Pin<br>and Socket Header,<br>Shrouded, 3 Circuits,<br>1 Female Terminal, 1<br>Male Terminal                 | <u>10181036</u> |
| 2.36mm Diameter<br>Standard .093" Pin<br>and Socket Header,<br>Shrouded, 3 Circuits,<br>2 Female Terminals,<br>1 Male Terminal                | <u>10181037</u> |
| 2.36mm Diameter<br>Standard .093" Pin<br>and Socket Header,   | <u>10181038</u> |

Shrouded, 3 Circuits,  
3 Female Terminals  
2.36mm Diameter 10181040  
Standard .093" Pin  
and Socket Header,  
Shrouded, 4 Circuits,  
1 Female Terminal, 1  
Male Terminal  
2.36mm Diameter 10181041  
Standard .093" Pin  
and Socket Header,  
Shrouded, 4 Circuits,  
4 Male Terminals  
2.36mm Diameter 10181042  
Standard .093" Pin  
and Socket Header,  
Shrouded, 4 Circuits,  
4 Female Terminals  
2.36mm Diameter 10181043  
Standard .093" Pin  
and Socket Header,  
Shrouded, 4 Circuits,  
1 Female Terminal, 3  
Male Terminals  
2.36mm Diameter 10181044  
Standard .093" Pin  
and Socket Header,  
Shrouded, 4 Circuits,  
3 Female Terminals,  
1 Male Terminals  
2.36mm Diameter 10181045  
Standard .093" Pin  
and Socket Header,  
Shrouded, 4 Circuits,  
2 Male Terminals, 2  
Female Terminals  
2.36mm Diameter 10181046  
Standard .093" Pin  
and Socket Header,  
Shrouded, 4 Circuits,  
3 Male Terminals, 1  
Female Terminal  
2.36mm Diameter 10181047  
Standard .093" Pin  
and Socket Header,  
Shrouded, 4 Circuits,  
1 Female Terminal, 3  
Male Terminals  
2.36mm Diameter 10181048  
Standard .093" Pin  
and Socket Header,  
Shrouded, 4 Circuits,  
1 Female Terminal,  
2 Male Terminals, 1  
Female Terminal, 1  
Male Terminal  
2.36mm Diameter 10181049  
Standard .093" Pin  
and Socket Header,  
Shrouded, 4 Circuits,  
2 Female Terminals,  
1 Male Terminal, 1  
Female Terminal,  
1 Male Terminal, 1  
Female Terminal

|   |                 |
|---|-----------------|
| 2.36mm Diameter<br>Standard .093" Pin<br>and Socket Header,<br>Shrouded, 4 Circuits,<br>2 Female Terminals,<br>2 Male Terminals                             | <u>10181050</u> |
| 2.36mm Diameter<br>Standard .093" Pin<br>and Socket Header,<br>Shrouded, 9 Circuits,<br>9 Male Terminals  | <u>10181090</u> |
| 2.36mm Diameter<br>Standard .093" Pin<br>and Socket Header,<br>3 Rows, Shrouded,<br>Unfilled Polyester,<br>UL 94V-0, 9 Circuits,<br>9 Female Terminals      | <u>10181091</u> |
| 2.36mm Diameter<br>Standard .093"<br>Pin and Socket<br>Header, Shrouded,<br>12 Circuits, 12 Male<br>Terminals   | <u>10181120</u> |
| 2.36mm Diameter<br>Standard .093"<br>Pin and Socket<br>Header, 3 Rows,<br>Shrouded, Unfilled<br>Polyester, UL 94V-0,<br>12 Circuits, 12<br>Female Terminals | <u>10181122</u> |
| 2.36mm Diameter<br>Standard .093"<br>Pin and Socket<br>Header, Shrouded,<br>15 Circuits, 15 Male<br>Terminals   | <u>10181150</u> |
| 5.08mm Pitch SPOX<br>Crimp Housing,<br>Female, with Friction<br>Ramp and Void, 2<br>Circuits  | <u>10221022</u> |
| 2.50mm Pitch KK<br>Crimp Terminal<br>Housing, 3 Circuits  | <u>10302031</u> |
| 5.00/7.50mm Pitch<br>SPOX Header,<br>Vertical, with Friction<br>Lock, 2 Circuits  | <u>10311028</u> |
| 5.00/7.50mm Pitch<br>SPOX Header,<br>Vertical, with Friction<br>Lock, 3 Circuits  | <u>10311038</u> |
| 5.00/7.50mm Pitch<br>SPOX Header,<br>Vertical, with Friction<br>Lock, 4 Circuits  | <u>10311048</u> |
| 5.00/7.50mm Pitch<br>SPOX Header,<br>Vertical, with Friction<br>Lock, 5 Circuits  | <u>10311058</u> |
| 5.00/7.50mm Pitch<br>SPOX Header,   | <u>10311068</u> |

This document was generated on 09/13/2019

**PLEASE CHECK [WWW.MOLEX.COM](http://WWW.MOLEX.COM) FOR LATEST PART INFORMATION**

# Mouser Electronics

Authorized Distributor

Click to View Pricing, Inventory, Delivery & Lifecycle Information:

[Molex:](#)

[62201-8813](#)