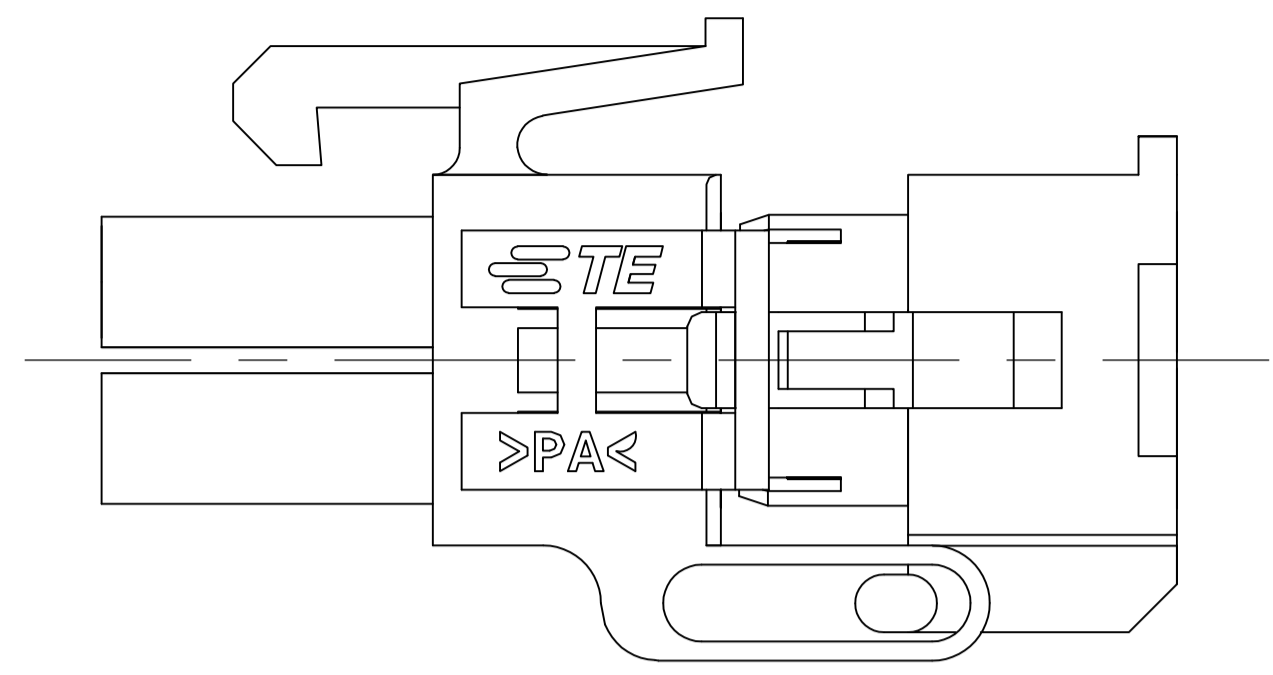
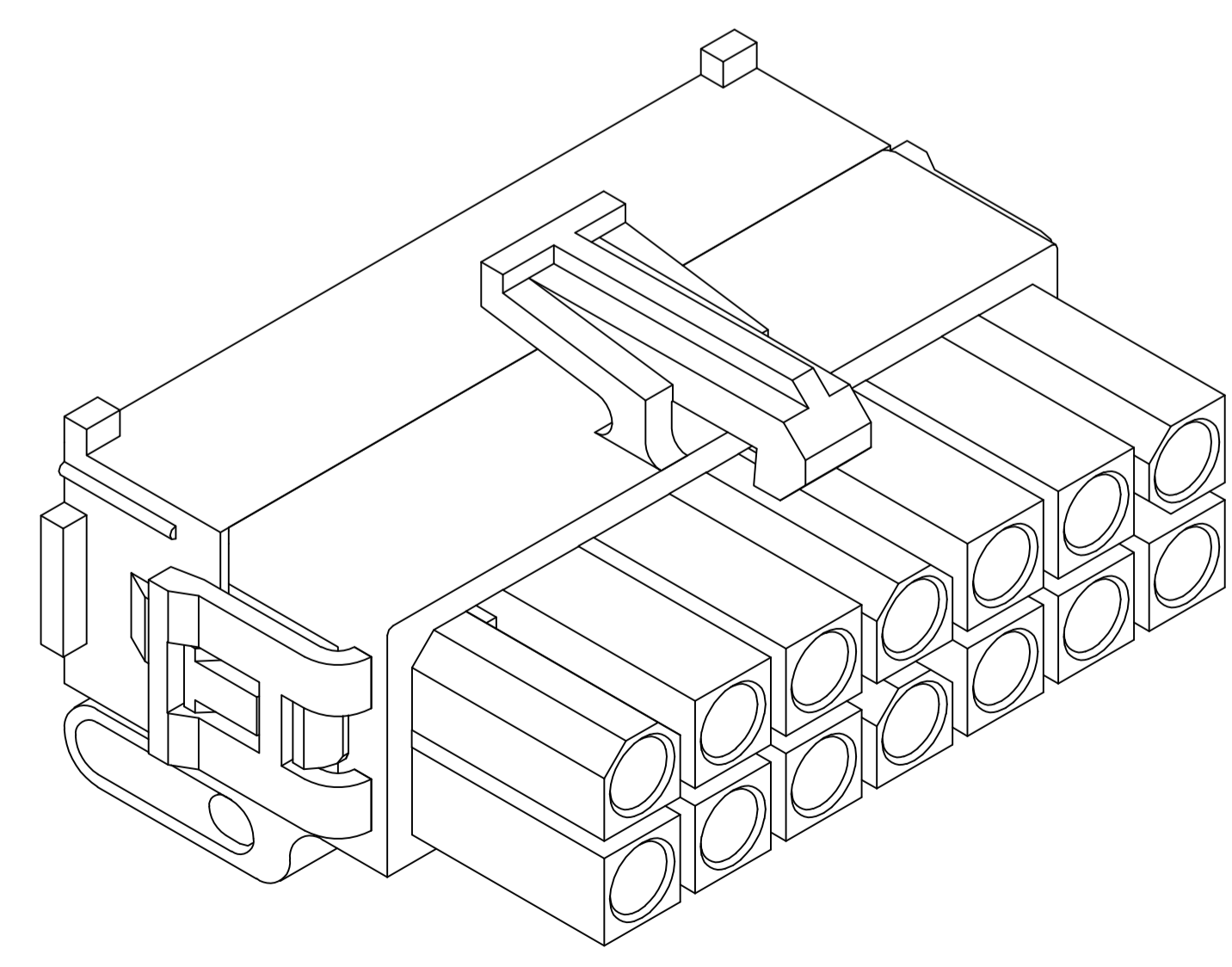
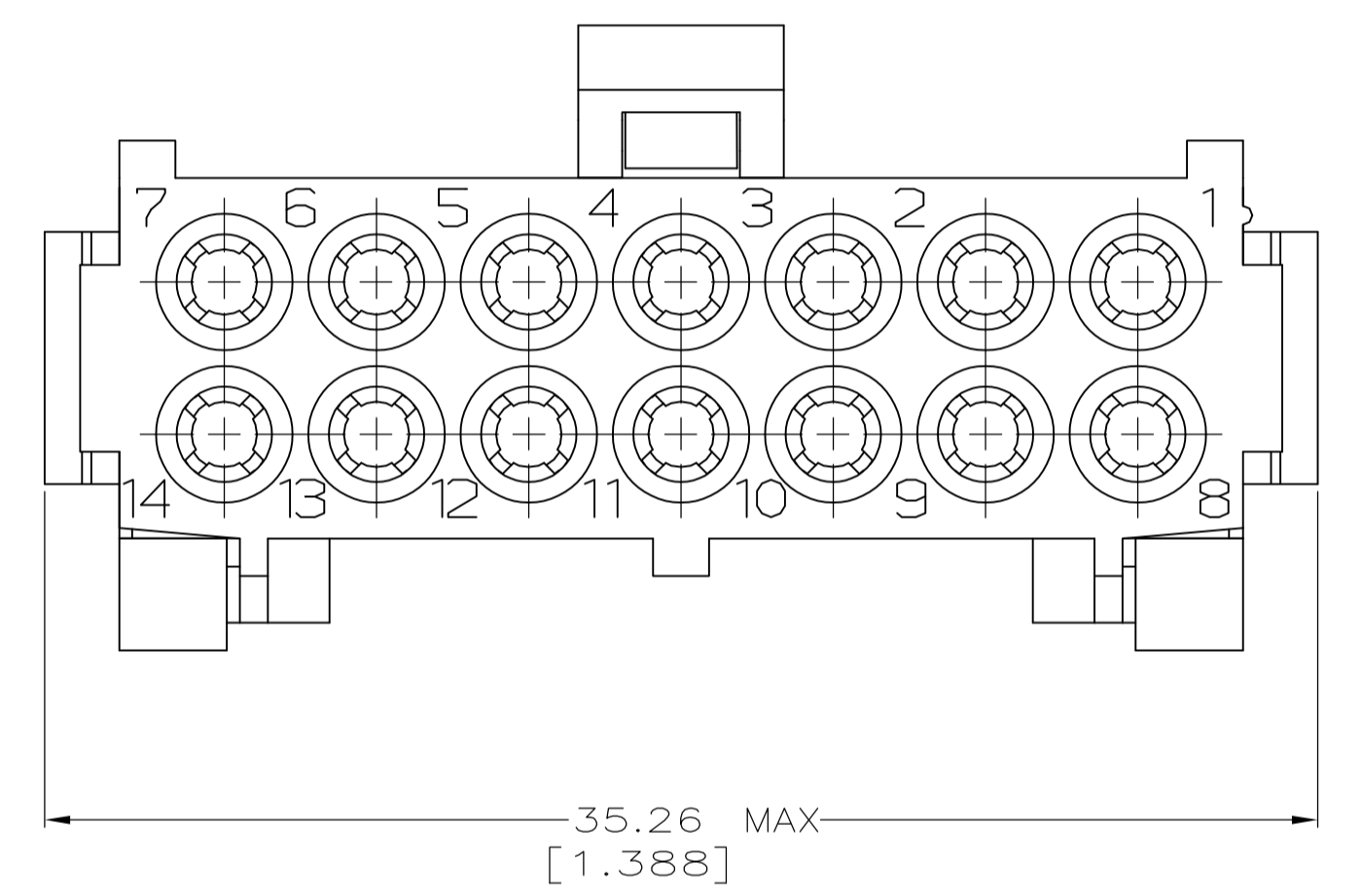
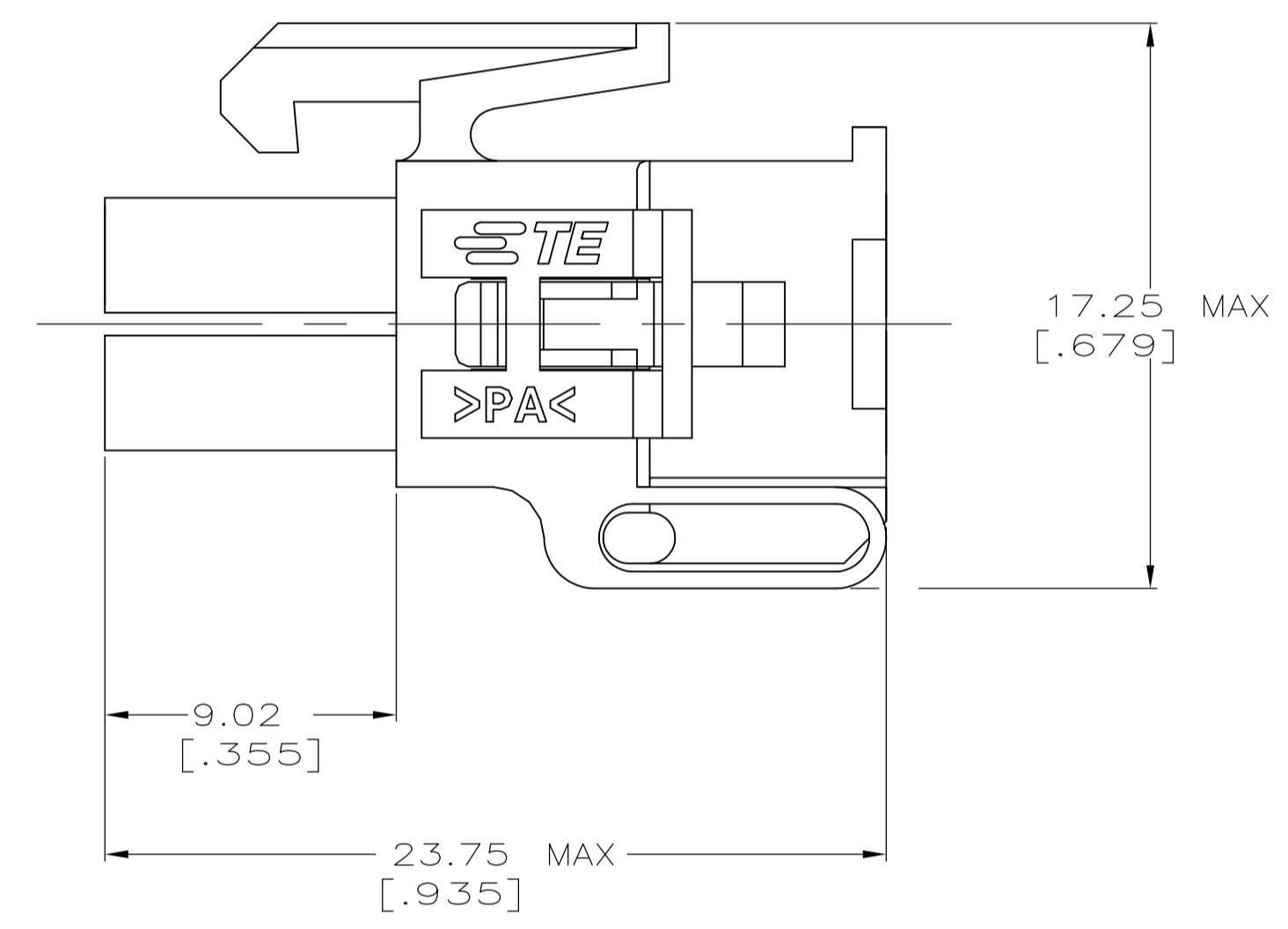
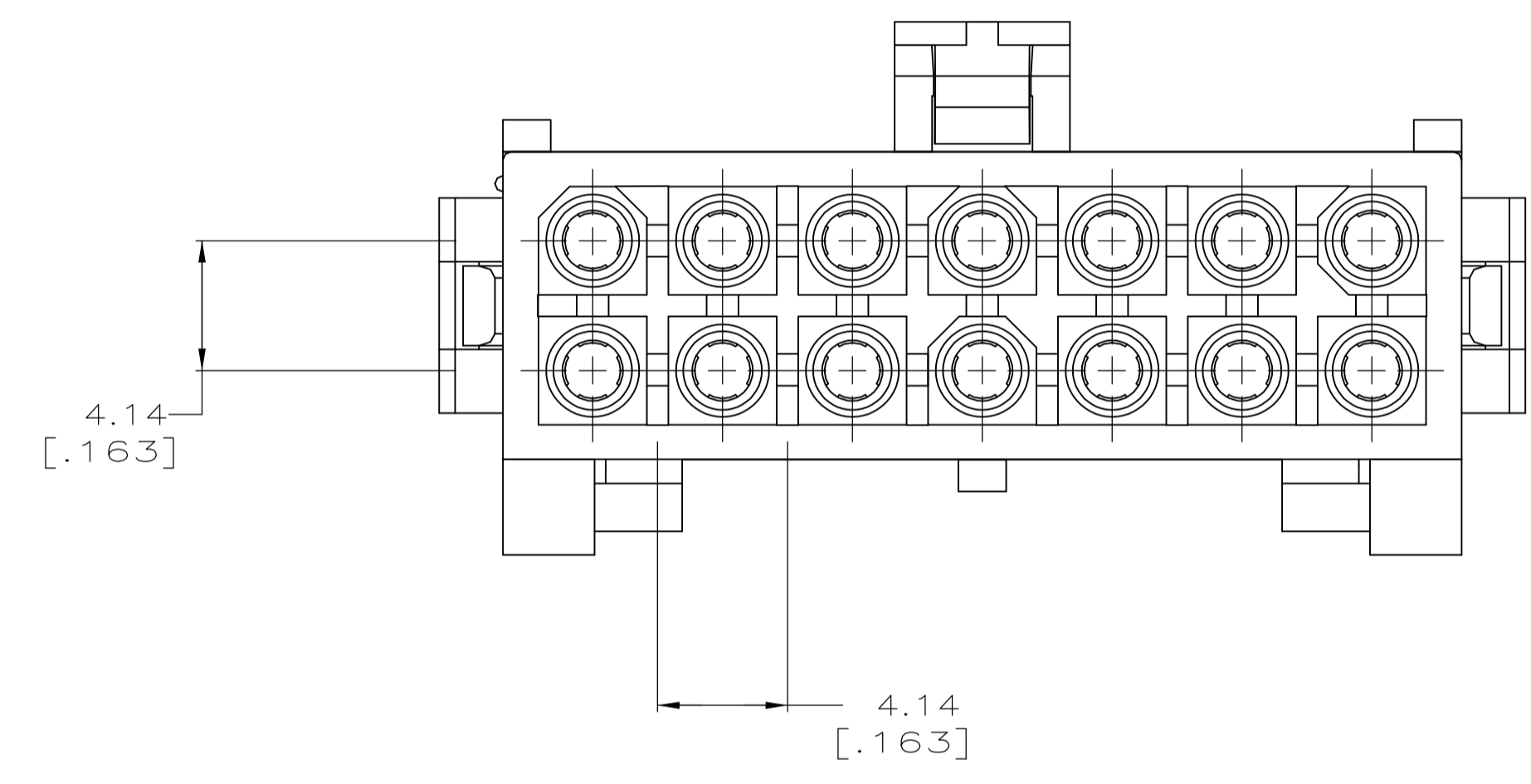


LOC		DIST		REVISIONS			
P	LTR	DESCRIPTION	DATE	DMN	APVD		
CM	53						
C2		REVISED PER ECR-15-003326	06MAR15	SC	KD		

1 DIMENSIONS IN BRACKETS ARE IN INCHES.



PRE-STAGED CONDITION



3-DIMENSIONAL MODEL
NTS

794202-1
PART NUMBER

METRIC

THIS DRAWING IS A CONTROLLED DOCUMENT.		DIN K. WHITAKER 5-16-97	TE Connectivity
		CHK R. SWING 5-16-97	
DIMENSIONS: mm		TOLERANCES UNLESS OTHERWISE SPECIFIED:	NAME R. ORSTAD 5-16-97
		0. PLC ± - 1. PLC ± - 2. PLC ± - 3. PLC ± 0.13 [.005] 4. PLC ± - ANGLES ± -	PRODUCT SPEC
MATERIAL NYLON, UL94V-0, NATURAL		FINISH -	APPLICATION SPEC
		WEIGHT -	SIZE A1
		CUSTOMER DRAWING	CAGE CODE 00779 DRAWING NO 794202 RESTRICTED TO 2
		SCALE 5:1	SHEET 1 OF 1 REV C2