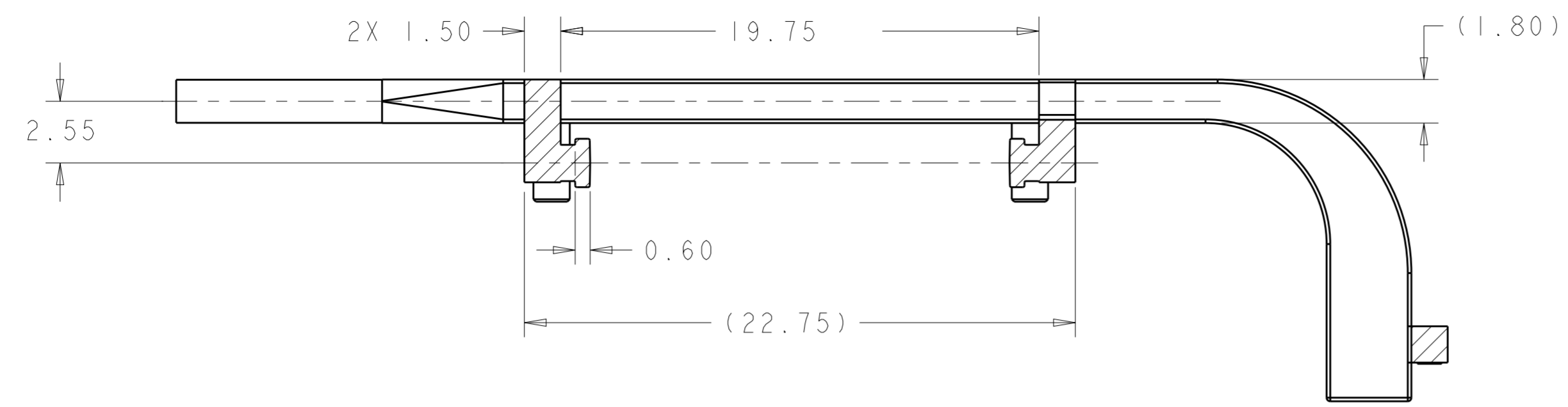


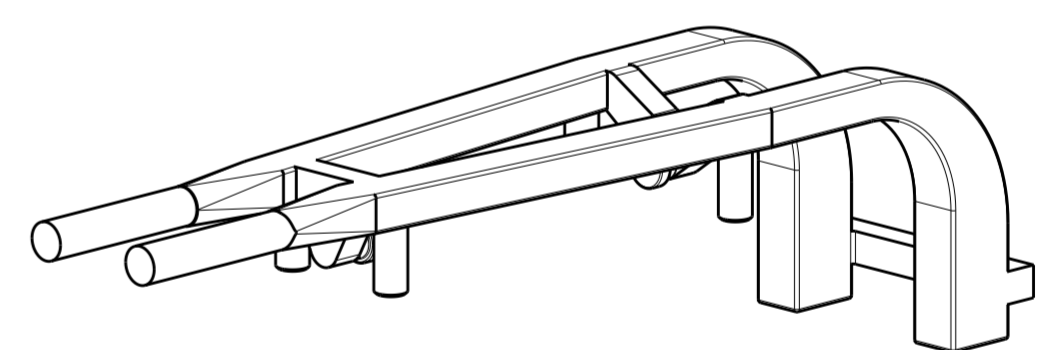
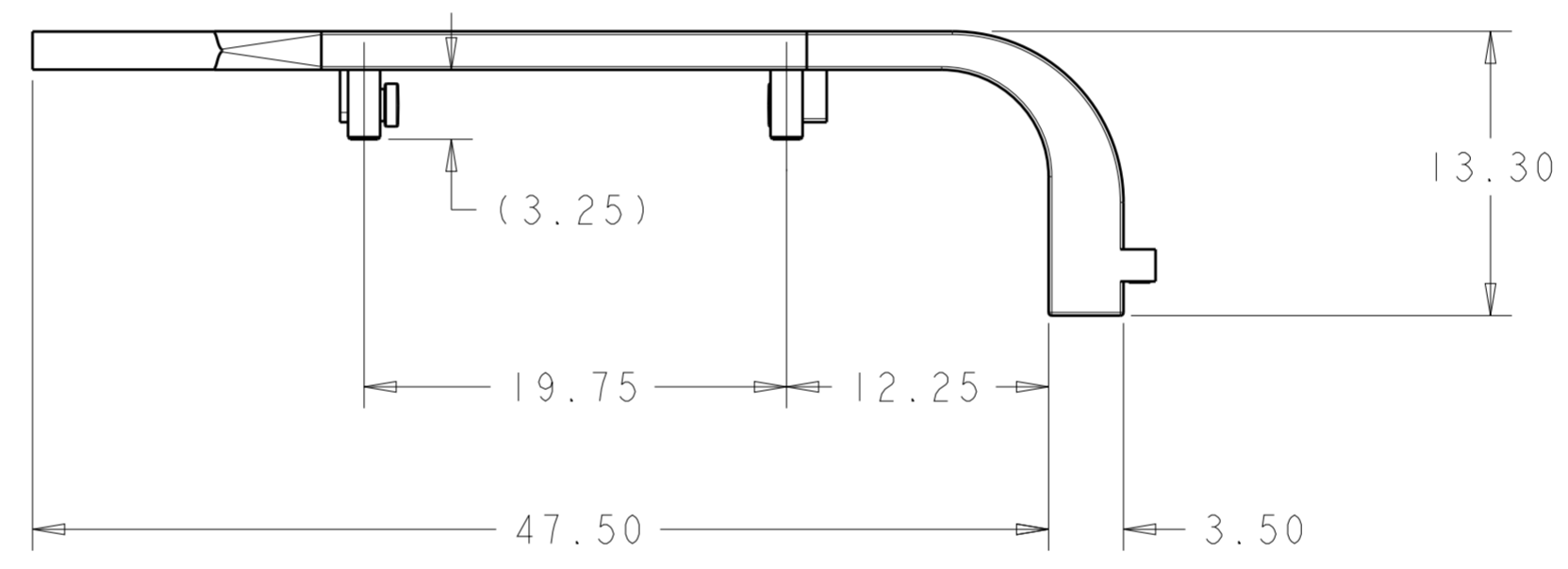
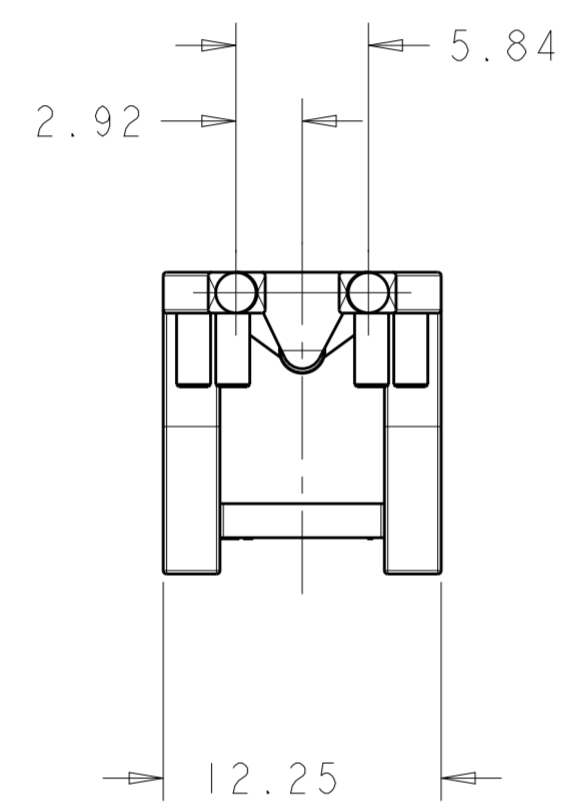
THIS DRAWING IS UNPUBLISHED. RELEASED FOR PUBLICATION
 © COPYRIGHT copyright.d8re- ALL RIGHTS RESERVED.

LOC		DIST		REVISIONS			
P	LTR	DESCRIPTION	DATE	DWN	APVD		
	1	INITIAL	256AUG2014	PP	SH		

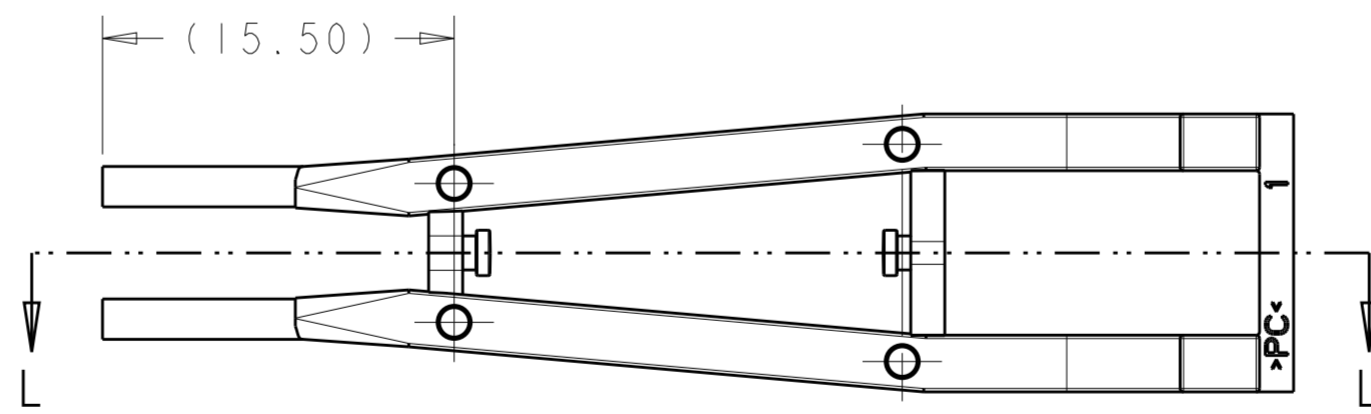


1. MATERIAL: POLYCARBONATE

SECTION L-L
SCALE 5:1



2057500-1



2057500-1
PART NUMBER

THIS DRAWING IS A CONTROLLED DOCUMENT.		DWN	26AUG2014	PETER PAN	
DIMENSIONS:		CHK	26AUG2014	SEAN HAN	
mm	TOLERANCES UNLESS OTHERWISE SPECIFIED:	APVD	26AUG2014	SEAN HAN	
	0 PLC ± -	NAME		SEAN HAN	
	1 PLC ± 0.25	PRODUCT SPEC		SFP+ LIGHT PIPE REDUCED LENGTH	
	2 PLC ± 0.20	APPLICATION SPEC			
	3 PLC ± 0.15	WEIGHT			
	4 PLC ± -	CUSTOMER DRAWING			
	ANGLES ± 5°	SCALE	3:1	SHEET	OF
	FINISH	RESTRICTED TO		REV	

STE TE Connectivity
PRELIMINARY

Mouser Electronics

Authorized Distributor

Click to View Pricing, Inventory, Delivery & Lifecycle Information:

[TE Connectivity:](#)

[2057500-1](#)