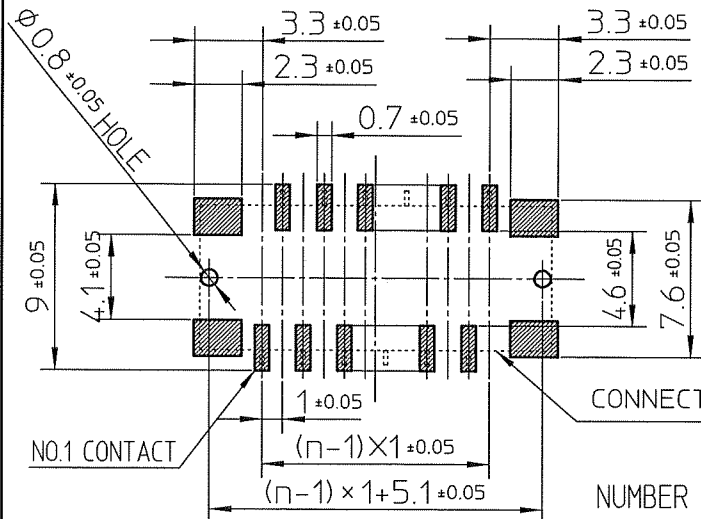


PT. NO.	PARTS NAME	MATERIAL	Q'TY	NOTE
1	HOUSING	GLASS FILLED THERMOPLASTIC RATED.(UL94V-0)	1	COLOR:BRACK
2	CONTACT	PHOSPHOR BRONZE	n	PLATING CONTACT AREA:GOLD OVER NICKL TERMINAL AREA:TIN (LEAD FREE)
3	MOUNTING PLATE	BRASS	2	PLATING:TIN (LEAD FREE)

n:NO. OF CONTACTS

RECOMMENDED PC BOARD LAYOUT
(COMPONENT SIDE)



NOTE

- 1.This connector is symmetric for X,Y axis. As a result, It is possible to locate in emboss cavity even if rotated condition.
- 2.Flattness for contact terminal and mounting plate must be within 0.1.
- 3.This product meets European Union Directives and other country regulations as described in GS-22-008.

NUMBER OF CONTACTS : 10 TO 16 , ONLY EVEN POS.

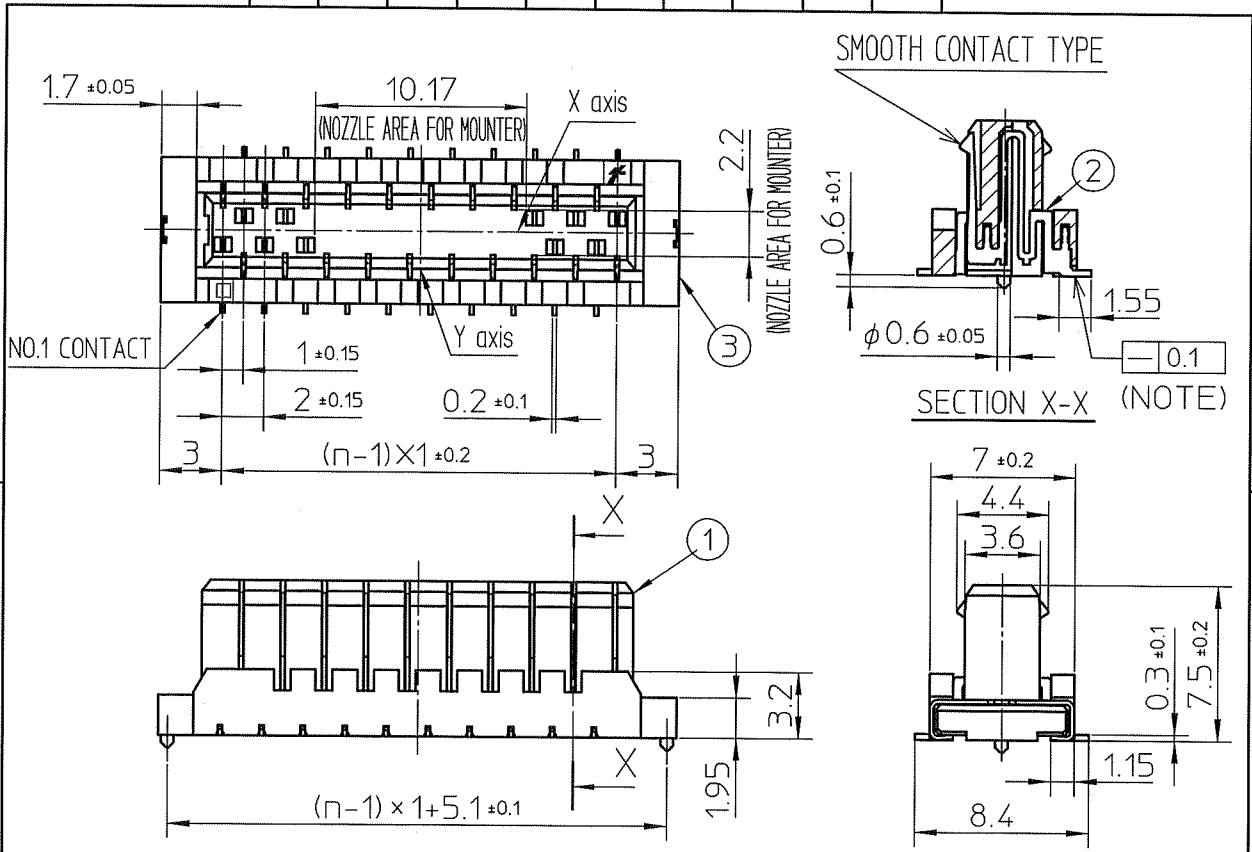
mat'l. code				surface ISO 1302 ✓		tolerance ISO 406 ISO 1101		projection		product family 590F	
lfr ecn no dr date				tolerances unless otherwise specified		angles linear ±0.3		scale		title	
A J07-0021 M.K Jan.25,07										FLOATING BOARD TO BOARD PLUG CONNECTOR (GOLD PLATING AND LEAD FREE) (CAT.No. BTFW_P-3SBTADLF)	
				dr K.Higuchi Jan.25,07		engr M.Koga Jan.25,07		dwg no JSA97218		sheet 1 of 2 size A4	
				chr K.Higuchi Jan.25,07		appd M.Koga Jan.25,07		type Product Customer Drawing			
sheet index		revision sheet		A 1		A 2				Rev A	



FCJconnect.com

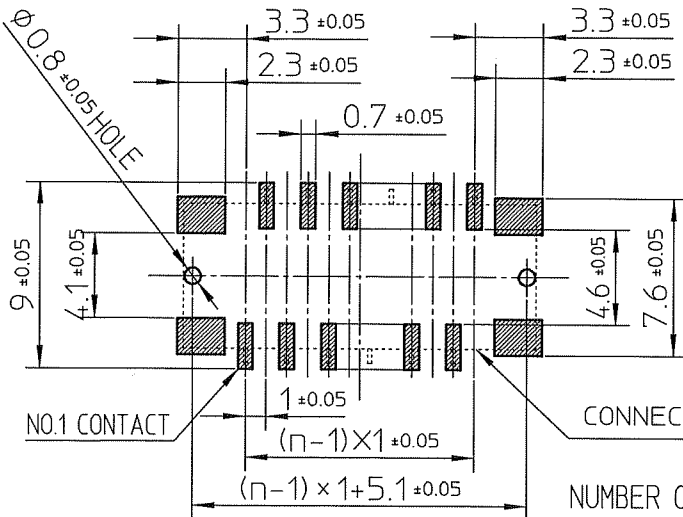
Copyright FCJ





PT. NO.	PARTS NAME	MATERIAL	Q'TY	NOTE
1	HOUSING	GLASS FILLED THERMOPLASTIC RATED (UL94V-0)	1	COLOR:BRACK
2	CONTACT	PHOSPHOR BRONZE	n	PLATING CONTACT AREA:GOLD OVER NICKL TERMINAL AREA:TIN (LEAD FREE)
3	MOUNTING PLATE	BRASS	2	PLATING:TIN (LEAD FREE)

RECOMMENDED PC BOARD LAYOUT (COMPONENT SIDE)



n:NO. OF CONTACTS

NOTE

- 1.This connector is symmetric for X,Y axis. As a result, It is possible to locate in emboss cavity even if rotated condition.
- 2.Flatness for contact terminal and mounting plate must be within 0.1.
- 3.This product meets European Union Directives and other country regulations as described in GS-22-008.

NUMBER OF CONTACTS : 18 TO 30 , ONLY EVEN POS.

mat'l. code				surface ISO 1302 ✓		tolerance ISO 406 ISO 1101		projection		product family 590F		
ltr A		ecn no J07-0021		dr M.K		date Jan.25,07				title FLOATING BOARD TO BOARD		
				angles		linear ±0.3				PLUG CONNECTOR (GOLD PLATING AND LEAD FREE)		
								scale		(CAT.No. BTFW_P-3SBTADLF)		
				dr K.Higuchi		Jan.25,07				dwg no JSA97218		
				enr M.Koga		Jan.25,07				sheet 2 of 2		size A4
				chr K.Higuchi		Jan.25,07						
				appd M.Koga		Jan.25,07						
sheet index		revision sheet		A 1		A 2				type Product Customer Drawing		
										Rev A		



FCIconnect.com

Copyright FCI

Mouser Electronics

Authorized Distributor

Click to View Pricing, Inventory, Delivery & Lifecycle Information:

[FCI / Amphenol:](#)

[BTFW30P-3SBTADE1LF](#) [BTFW30P-3SBTADE4LF](#)