

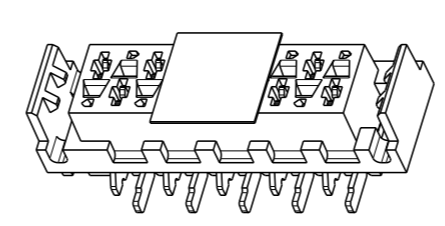
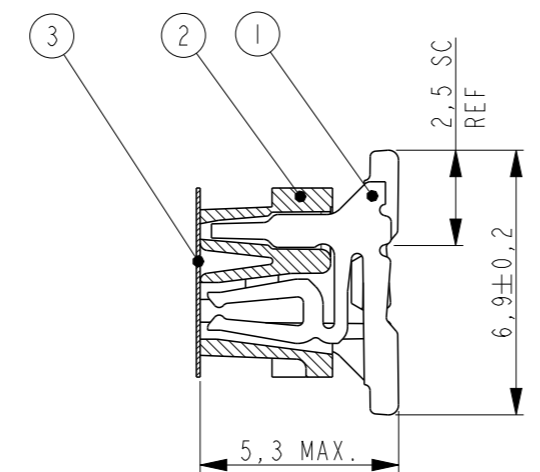
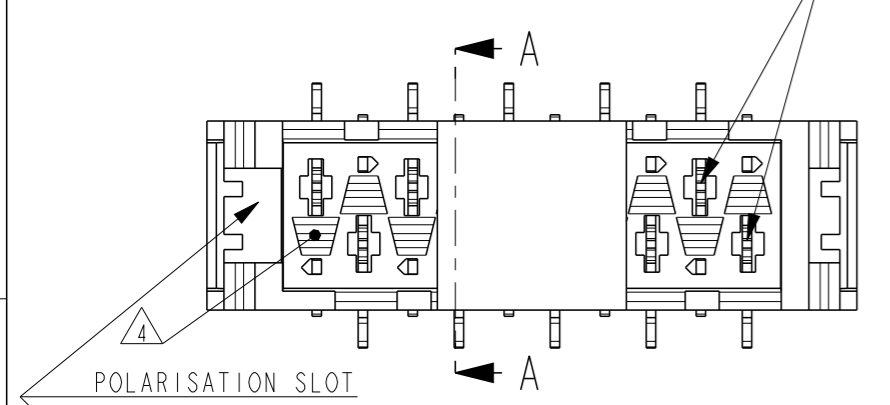
THIS DRAWING IS UNPUBLISHED. RELEASED FOR PUBLICATION. ALL RIGHTS RESERVED.

LOC H DIST -

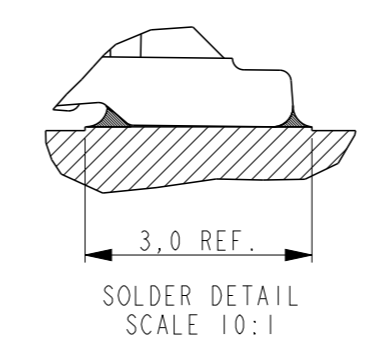
REVISIONS

P	LTR	DESCRIPTION	DATE	DWN	APVD
H3		APPLICATION SPECIFICATION NUMBER ADDED	24JUL2013	KJK	RP
H4		BLISTER MATERIAL CHANGE FOR 16POS	05MAY2015	NV	PS

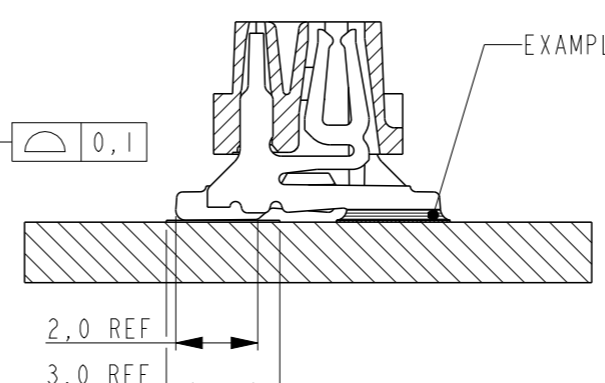
REFERENCE MATING INTERFACE PATTERN:
1,27 STAGGERED PITCH x 1,5 ROW-DISTANCE.



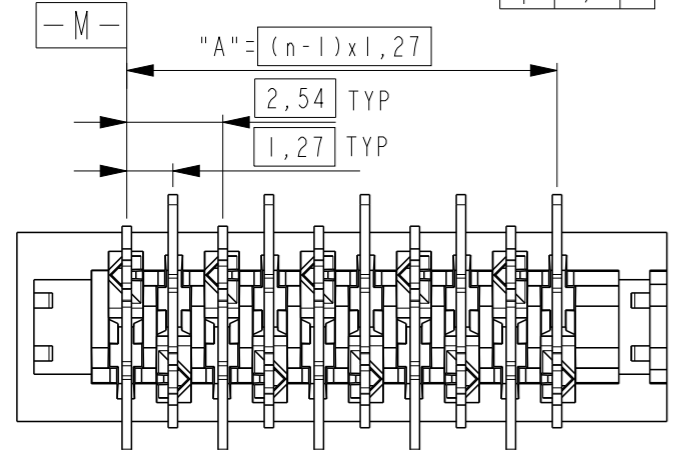
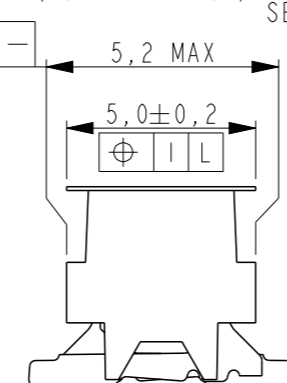
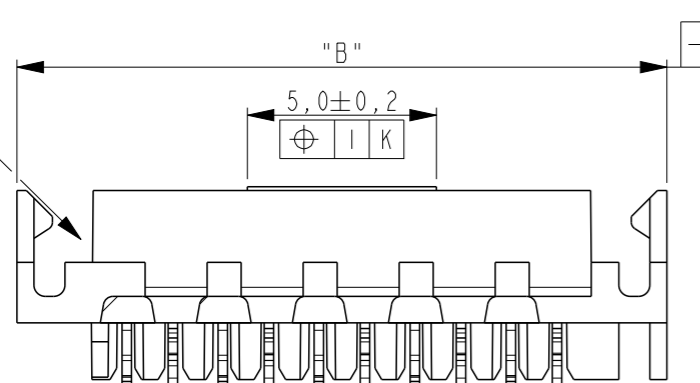
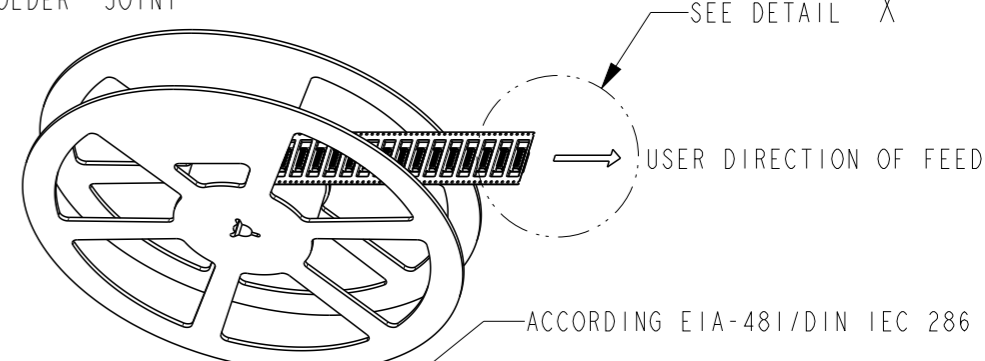
SCALE 3:1



SOLDER DETAIL SCALE 10:1



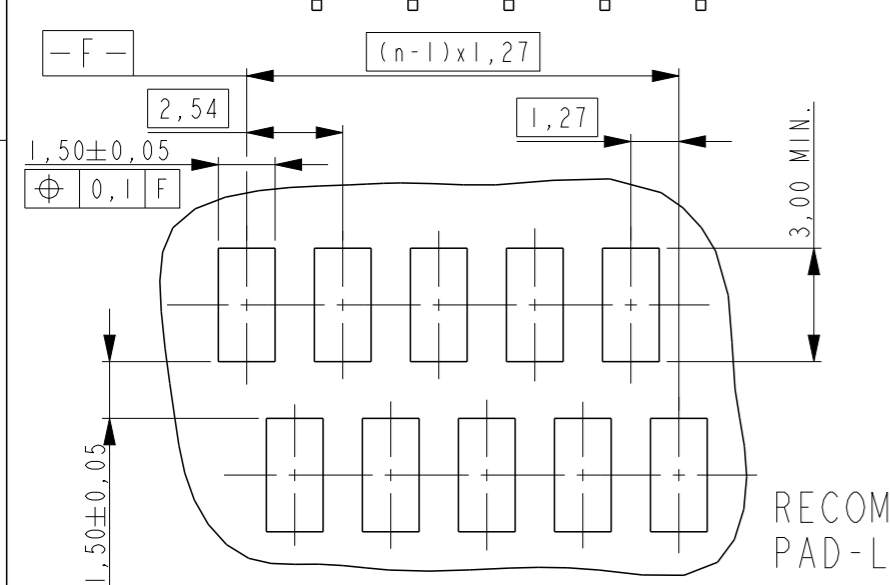
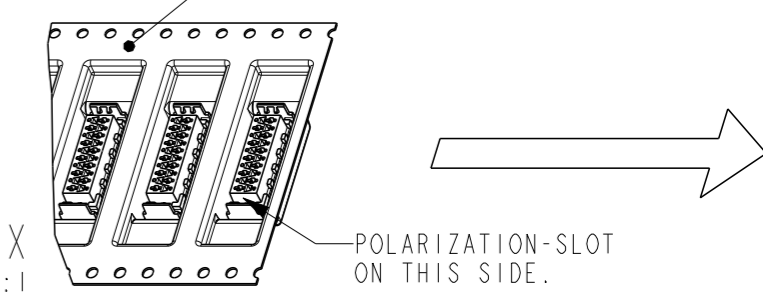
EXAMPLE SOLDER JOINT



NOTES:

- 1 TAPE FOR VACUUM P&P ONLY FOR DASH NUMBERS 7- /8- /9-
- 2 FOR PACKAGING SEE SHEET 2 AND 3
- 3 WITHOUT VACUUM TAPE.
- 4 CORING-OUTS FOR MANUFACTURING PURPOSE ONLY. SHAPE MAY VARY, BUT IS NOT FUNCTIONAL FOR THE APPLICATION.
- 5 SHOWN IS A 10 POSITION CONNECTOR.

DETAIL X SCALE 1:1



RECOMMENDED PC-BOARD PAD-LAYOUT TOP VIEW

Item no.	Description	Material	Finish
3	PICK & PLACE TAPE	KAPTON	AMBER TRANSPARENT
2	FEMALE HOUSING	POLYAMIDE 4/6,GF	RED
1	FEMALE CONTACT	PHOSPHOR BRONZE	TIN OVER NICKEL

THIS DRAWING IS A CONTROLLED DOCUMENT.		DWN M. Gosselink	IIDE001
DIMENSIONS: mm		TOLERANCES UNLESS OTHERWISE SPECIFIED:	
0 PLC		±-	
1 PLC		±-	
2 PLC		±-	
3 PLC		±-	
4 PLC		±-	
ANGLES		±-	
FINISH		±-	
MATERIAL	SEE TABLE	SEE TABLE	

TE Connectivity

STE

CONNECTOR, FEMALE-ON-BOARD TOP-ENTRY, SMD, WITH LATCHES, Micro-MaTch

NAME	SIZE	CAGE CODE	DRAWING NO	RESTRICTED TO
	A3	00779	C-338069	

CUSTOMER DRAWING SCALE 5:1 SHEET 1 OF 3 REV H4

THIS DRAWING IS UNPUBLISHED.

RELEASED FOR PUBLICATION

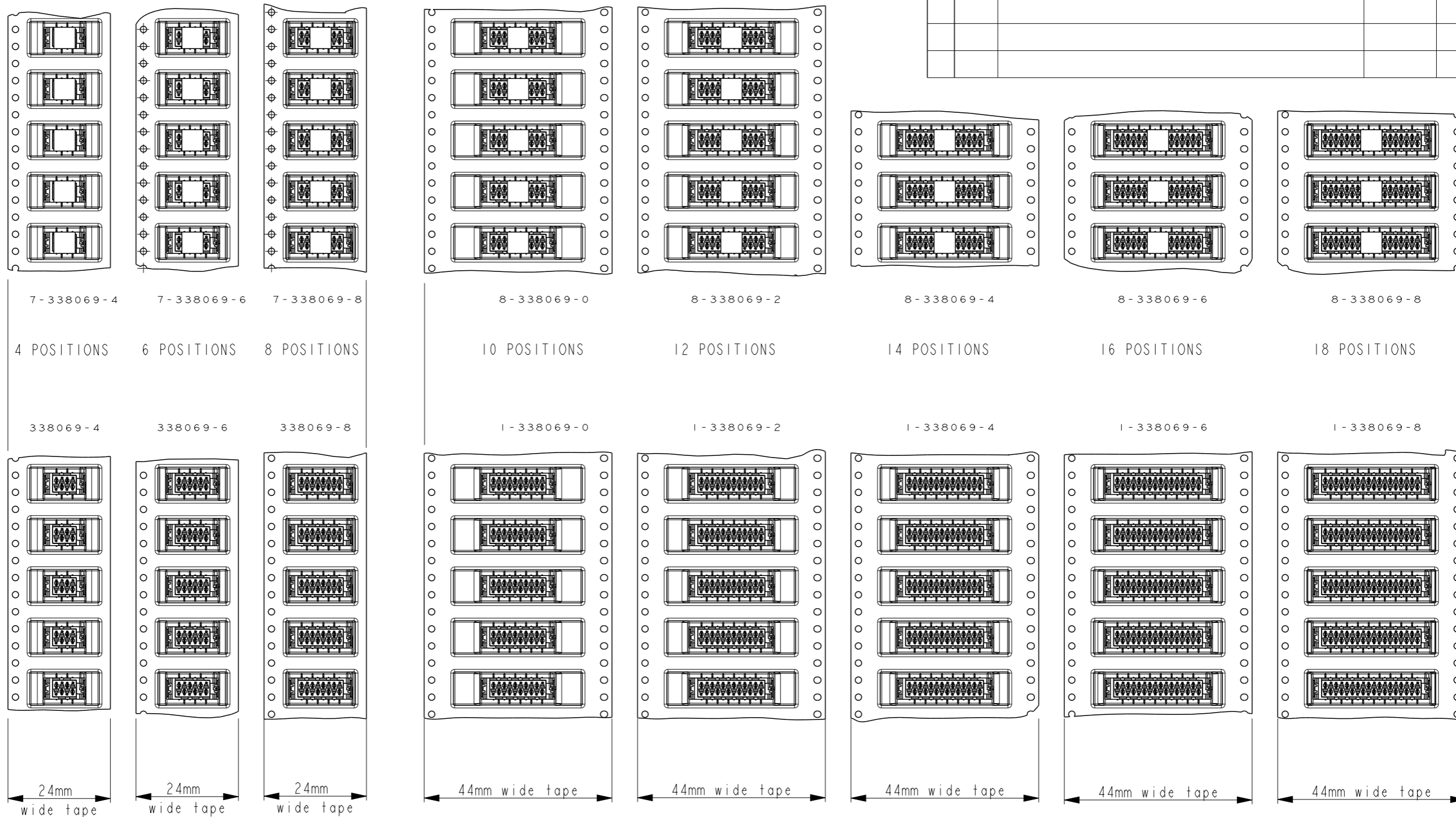
© COPYRIGHT -

ALL RIGHTS RESERVED.

LOC H DIST -

REVISIONS

P	LTR	DESCRIPTION	DATE	DWN	APVD
-	-	SEE SHEET 1	-	-	-



THIS DRAWING IS A CONTROLLED DOCUMENT.		DWN M. Gosselink	I IDECO1	
DIMENSIONS: mm		CHK -	NAME	
TOLERANCES UNLESS OTHERWISE SPECIFIED:		APVD -	CONNECTOR, FEMALE-ON-BOARD TOP-ENTRY, SMD, WITH LATCHES, Micro-MaTch	
0 PLC ±-		PRODUCT SPEC 108-19052	SIZE A3	CAGE CODE 00779
1 PLC ±-		APPLICATION SPEC 114-13318	DRAWING NO C-338069	RESTRICTED TO -
2 PLC ±-		WEIGHT -	SCALE 5:1 SHEET 2 OF 3 REV H4	
3 PLC ±-		CUSTOMER DRAWING		
4 PLC ±-				
ANGLES ±-				
FINISH -				



THIS DRAWING IS UNPUBLISHED.

RELEASED FOR PUBLICATION

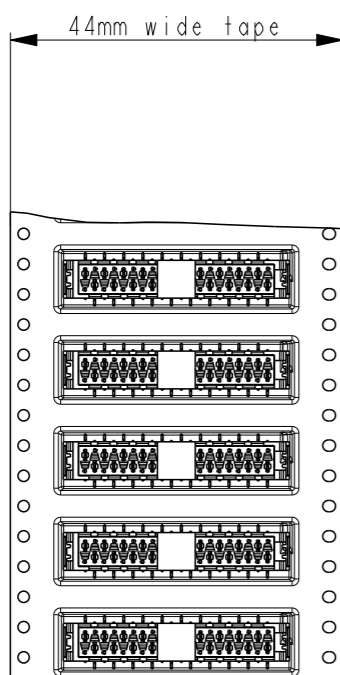
© COPYRIGHT -

ALL RIGHTS RESERVED.

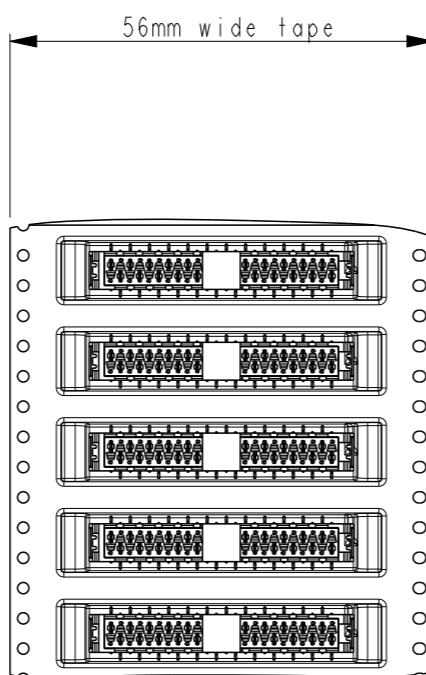
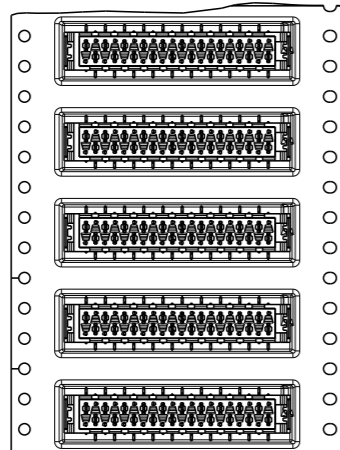
LOC H
DIST -

REVISIONS

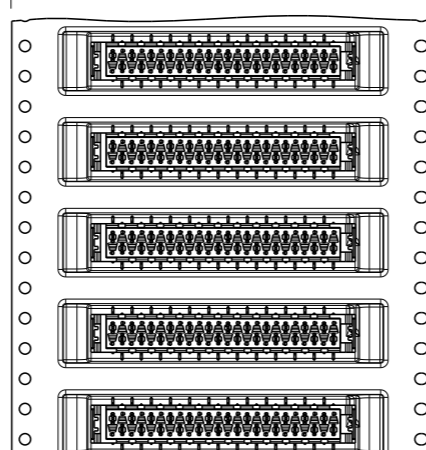
P	LTR	DESCRIPTION	DATE	DWN	APVD
-	-	SEE SHEET 1	-	-	-



9-338069-0
20 POSITIONS
2-338069-0

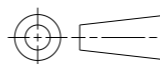


9-338069-4
24 POSITIONS
2-338069-4



THIS DRAWING IS A CONTROLLED DOCUMENT.

DIMENSIONS:
mm



TOLERANCES UNLESS OTHERWISE SPECIFIED:

- 0 PLC ±-
- 1 PLC ±-
- 2 PLC ±-
- 3 PLC ±-
- 4 PLC ±-
- ANGLES ±-

MATERIAL -

FINISH -

DWN M. Gosselink IIDECOI

CHK -

APVD -

PRODUCT SPEC 108-19052

APPLICATION SPEC 114-13318

WEIGHT -

CUSTOMER DRAWING



NAME
CONNECTOR,
FEMALE-ON-BOARD TOP-ENTRY,
SMD, WITH LATCHES, Micro-MaTch

SIZE CAGE CODE DRAWING NO RESTRICTED TO

A3 00779 C-338069

SCALE 5:1 SHEET 3 OF 3 REV H4

Mouser Electronics

Authorized Distributor

Click to View Pricing, Inventory, Delivery & Lifecycle Information:

[TE Connectivity:](#)

[9-338069-4](#)