

THIS DRAWING IS UNPUBLISHED. RELEASED FOR PUBLICATION
 © COPYRIGHT - By - ALL RIGHTS RESERVED.

| LOC | | DIST | | REVISIONS | | | |
|-----|-----|---------------------------|--|-----------|-----|------|--|
| P | LTR | DESCRIPTION | | DATE | DWN | APVD | |
| | B3 | REVISED PER ECO-11-004587 | | 11MAR11 | RK | HMR | |

SPECIFICATIONS:
 BREAK BEFORE MAKE

MATERIALS:

FRAME: STEEL,ZINC PLATE
 ACTUATOR: PBT,UL94V0, SEE P/N TABLE
 TERMINAL/FIXED CONTACT: COPPER ALLOY, AG OVER NI
 OR AU OVER NI PLATE.
 MOVING CONTACT: COPPER ALLOY, AG OVER NI
 OR AU OVER NI PLATE
 TERMINAL BOARD: PHENOLIC, UL94HB

COIL SPRING: CARBON STEEL WIRE

ELECTRICAL:

CONTACT RATING, 250MILLIAMPS @ 125V AC,
 150MILLIAMPS @ 12V DC
 CONTACT RESISTANCE, 30 MILLIOHMS MAX (INITIAL),
 60 MILLIOHMS AFTER TEST
 INSULATION RESISTANCE: 500 MEGOHMS MIN.
 DIELECTRIC STRENGTH: 500 VOLTS RMS @SEA LEVEL
 LIFE EXPECTANCY: 10,000 CYCLES MIN. NO LOAD,
 6,000 AT RATED CURRENT.

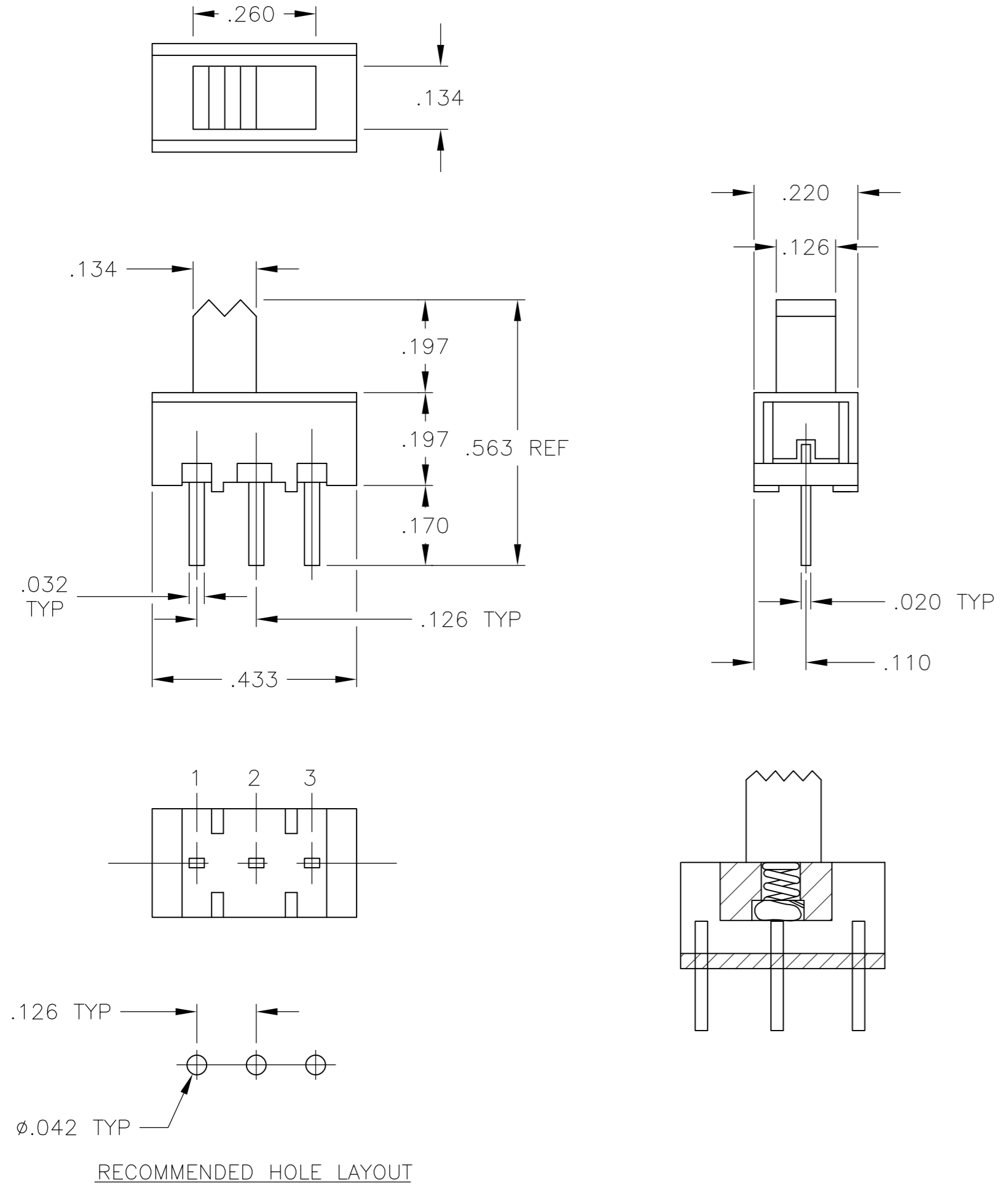
MECHANICAL:

ACTUATION FORCE, 250 +150/-100 GRAMS
 TRAVEL, .126 (3.20)

ENVIRONMENTAL:

OPERATING TEMPERATURE: -10°C TO +85°C
 STORAGE TEMPERATURE: -10°C TO +85°C
 RESISTANCE TO SOLDER HEAT, 260°C FOR 10 SEC
 PER 109-202, CONDITION B
 SOLDERABILITY PER EIA-364-56A, PROCEDURE 3,
 CONDITION B

- ALL MATERIALS AND FINISHES SHALL COMPLY WITH EU DIRECTIVE 2002/95/EC OF 27 JAN2003 (ROHS)
- ALL PERFORMANCE SPECIFICATIONS WERE TESTED IN ACCORDANCE WITH JIS-C-5441 UNLESS OTHERWISE STATED.



| ACTUATOR POSITION | ACTUATOR COLOR | FINISH | TYPE | ALCO P/N | PART NO. |
|-------------------|----------------|---------|--------|----------|------------------------|
| 1,2 | 2,3 | NATURAL | GOLD | SPDT | SLS121NPCG04 1825115-4 |
| 1,2 | 2,3 | NATURAL | SILVER | SPDT | SLS121NPC04 1825115-3 |
| 1,2 | 2,3 | BLACK | GOLD | SPDT | SLS121PCG04 1825115-2 |
| 1,2 | 2,3 | BLACK | SILVER | SPDT | SLS121PCG04 1825115-1 |

THIS DRAWING IS A CONTROLLED DOCUMENT.

DWN: 01MAR05
 B S VISWESWARA
 CHK: M S SARVER
 APVD: -

TE Connectivity

SLIDE SWITCH, SPDT (SLS121PC & SLS121PCG)

SIZE: A2 CAGE CODE: 00779 DRAWING NO: 1825115 RESTRICTED TO: -

MATERIAL: SEE TABLE FINISH: - WEIGHT: - SCALE: 4:1 SHEET: 1 of 1 REV: B3

CUSTOMER DRAWING

Mouser Electronics

Authorized Distributor

Click to View Pricing, Inventory, Delivery & Lifecycle Information:

[TE Connectivity:](#)

[SLS121NPCG04](#)