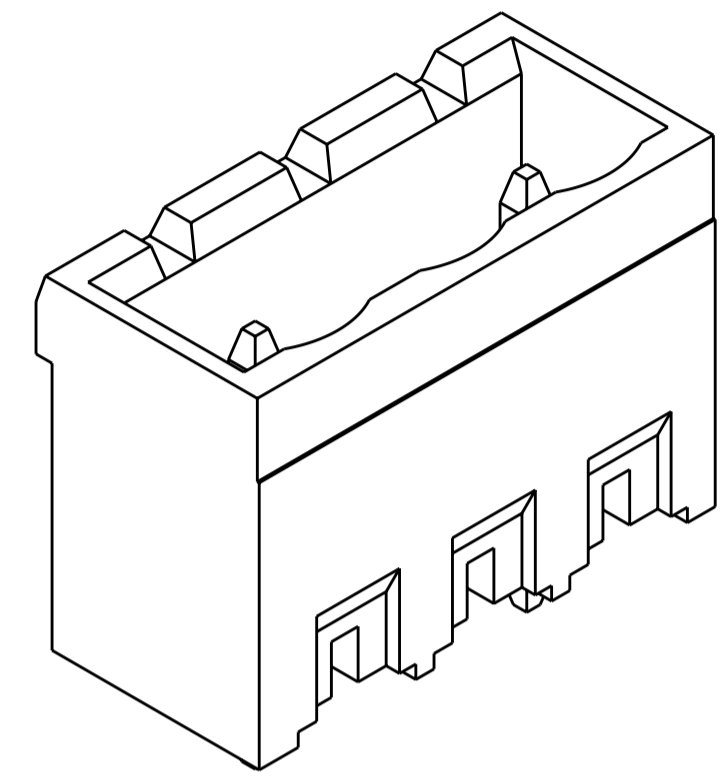
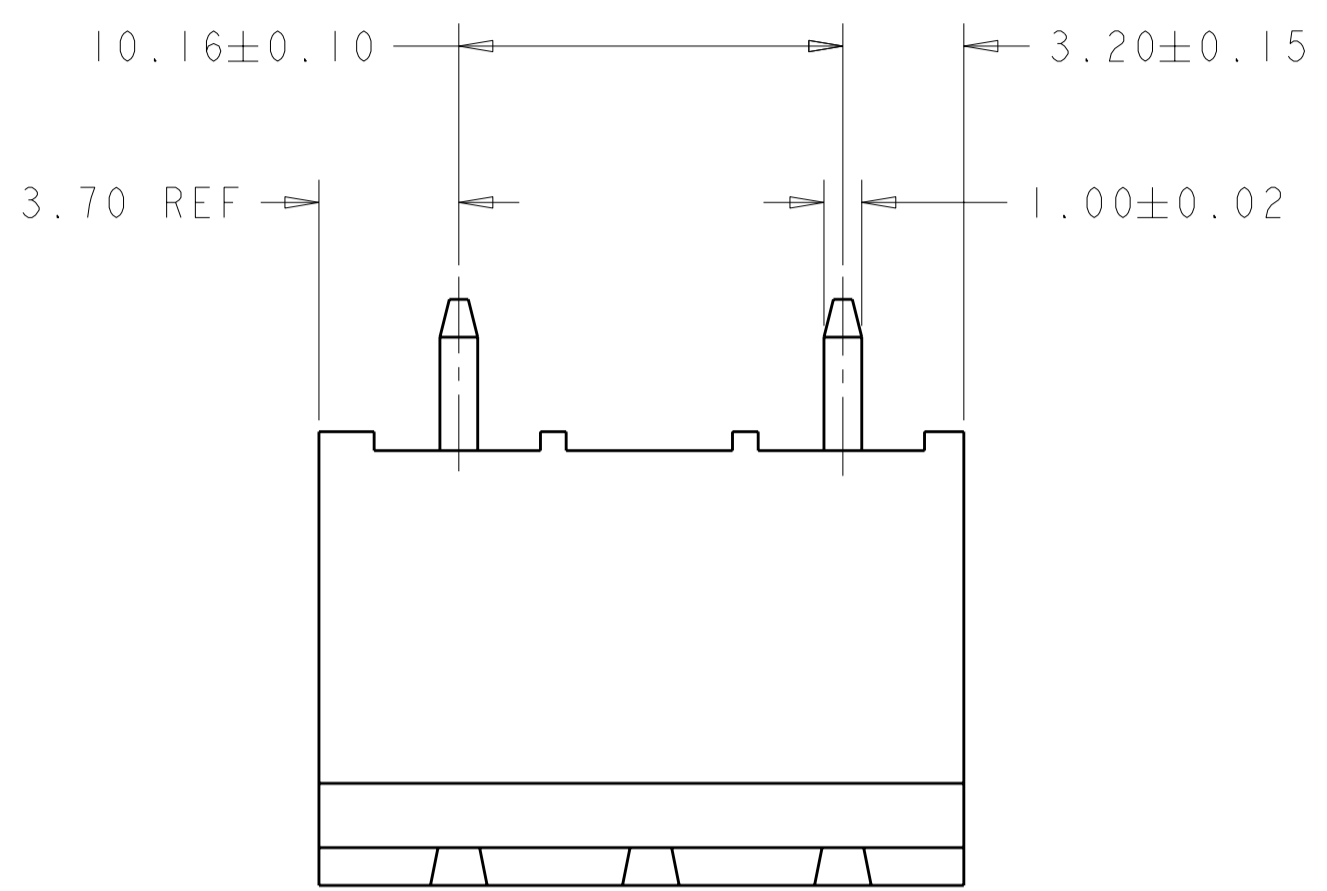


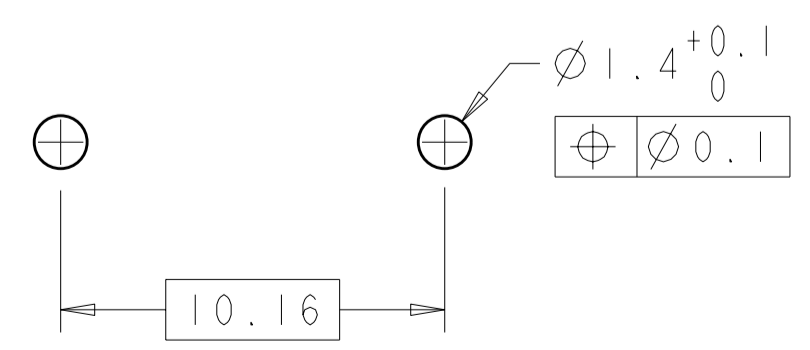
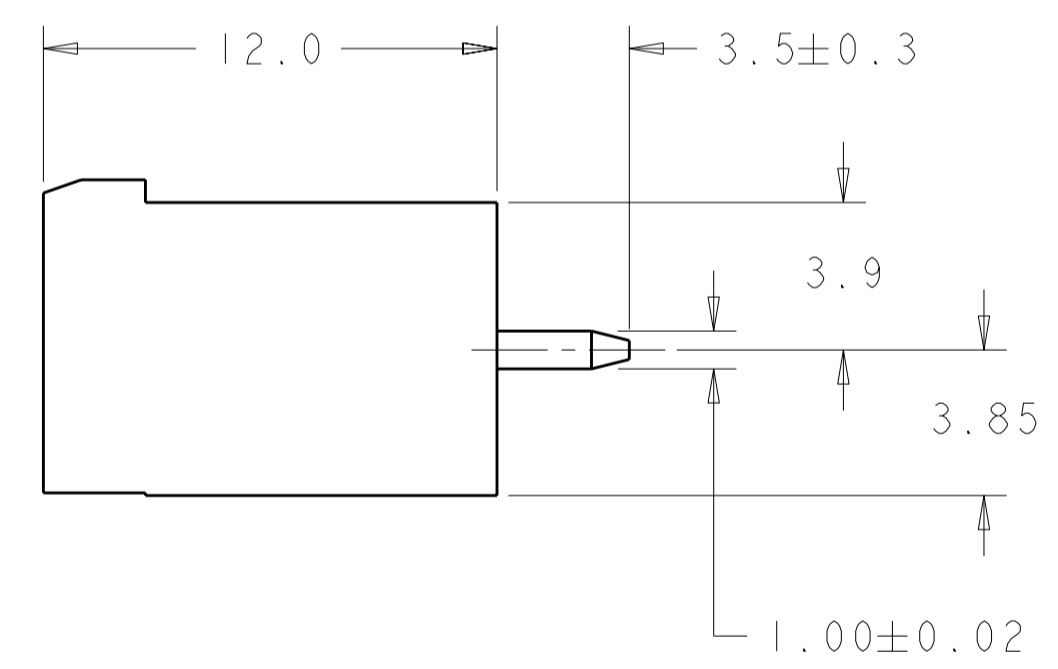
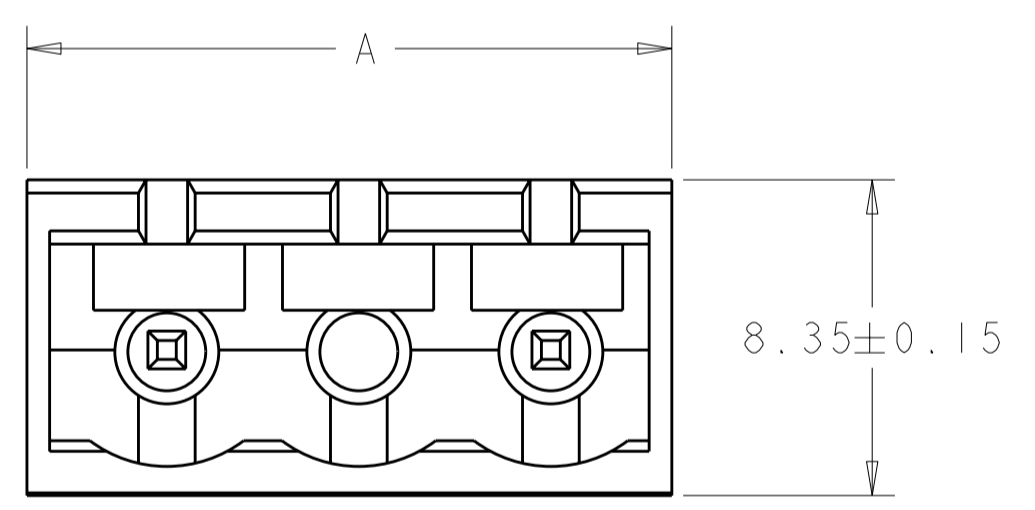
THIS DRAWING IS UNPUBLISHED. RELEASED FOR PUBLICATION 20
 © COPYRIGHT 20 Tyco Electronics AMP GmbH ALL RIGHTS RESERVED.

LOC		DIST		REVISIONS			
P	LTR	DESCRIPTION	DATE	DWN	APVD		
	01	REVISED PER ECO-12-007711	26APR2012	KH	MS		



- ⚠ MATERIALS AND FINISH
 HOUSING: HIGH TEMPERATURE POLYAMIDE, UL 94V-0 RATED,
 COLOR: BLACK.
 TERMINAL: COPPER ALLOY, TIN PLATED.
- SUITABLE FOR 1,6-2,4mm PC BOARD THICKNESS.
 - RECOGNIZED UNDER THE COMPONENT PROGRAM OF UNDERWRITERS LABORATORIES INC. FILE N° E60677.
 - IMQ CERTIFICATE WITH SURVEILLANCE IN CONFORMITY WITH IEC 998-1/998-2-1.

1776161-2 AS SHOWN



RECOMMENDED PC BOARD LAYOUT

37.38	4	1776161-4
27.22	3	1776161-3
17.06	2	1776161-2
A	NO OF POSN	PART NUMBER

THIS DRAWING IS A CONTROLLED DOCUMENT.		DWN S.WELDON 11JUL2005	STE TE Connectivity	
DIMENSIONS: mm		CHK C.RICHARD 11JUL2005		
TOLERANCES UNLESS OTHERWISE SPECIFIED:		APVD C.RICHARD 11JUL2005	NAME	
0 PLC ±-	1 PLC ±.3	PRODUCT SPEC	TERMINAL BLOCK HEADER ASSEMBLY, 180 DEGREE, CLOSED ENDS, 10.16mm PITCH	
2 PLC ±.25	3 PLC ±-	APPLICATION SPEC	SIZE	CAGE CODE
4 PLC ±-	ANGLES ±	114-20079	A200779	DRAWING NO
MATERIAL	FINISH	WEIGHT	SCALE 5:1	SHEET 1 OF 1
⚠ -	⚠ -	-	C=1776161	REV 01
CUSTOMER DRAWING			RESTRICTED TO -	

Mouser Electronics

Authorized Distributor

Click to View Pricing, Inventory, Delivery & Lifecycle Information:

[TE Connectivity:](#)

[1776161-4](#)