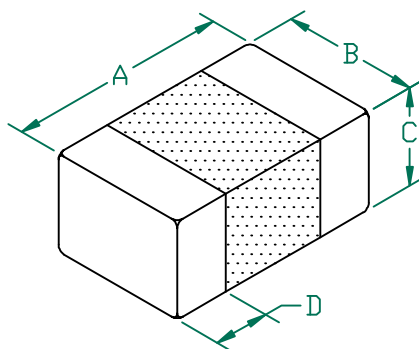


HZ0805B272R-10

UNCONTROLLED DOCUMENT

PHYSICAL DIMENSIONS:

- A 2.00 [.079] + 0.20 [.008]
- B 1.25 [0.049] + 0.20 [.008]
- C 1.25 [.049] + 0.20 [.008]
- D 0.51 [.020] + 0.25 [.010]

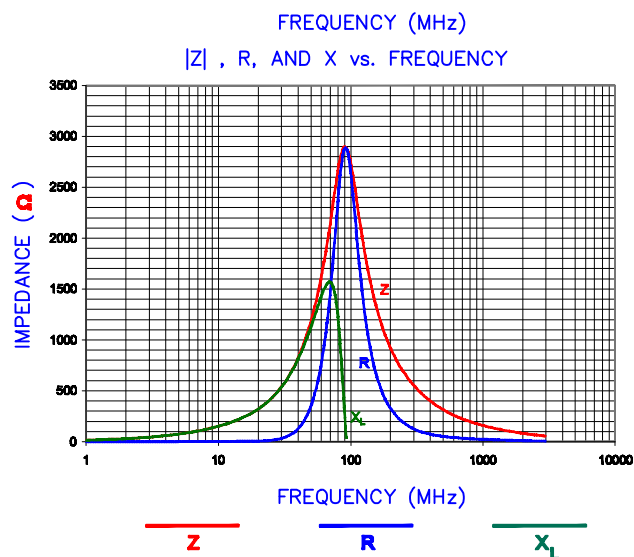
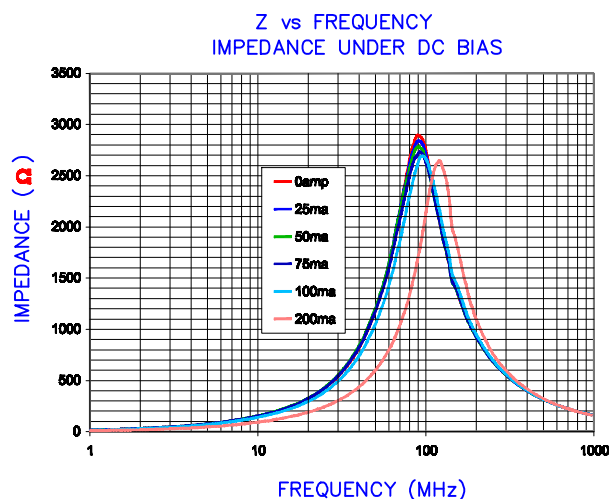


ELECTRICAL CHARACTERISTICS:

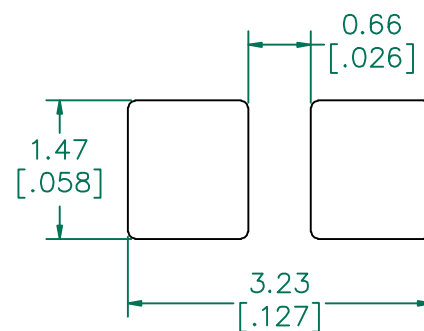
	Z @ 100MHz (Ω)	DCR (Ω)	Rated Current
Nominal	2700		
Minimum	2025		
Maximum	3375	0.8	200 mA

NOTES: UNLESS OTHERWISE SPECIFIED

1. TAPED AND REELED per CURRENT EIA
2. COMPONENTS SHOULD BE ADEQUATELY PREHEATED BEFORE SOLDERING.
3. TERMINATION FINISH 100% TIN.

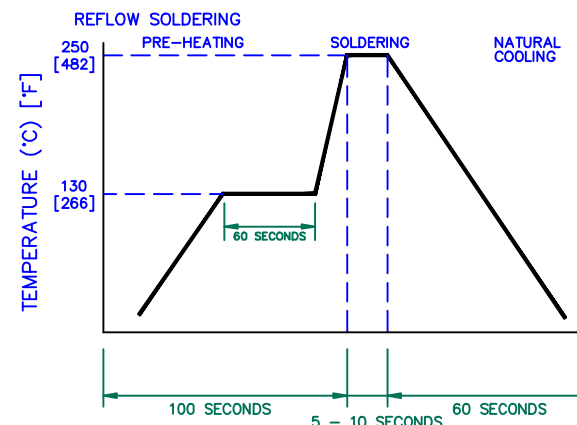


LAND PATTERNS FOR REFLOW SOLDERING



(For wave soldering, add 0.763 [.030] to this dimension.)

RECOMMENDED SOLDERING CONDITIONS



DIMENSIONS ARE IN mm [INCHES].				This print is the property of Laird Tech. and is loaned in confidence subject to return upon request and with the understanding that no copies shall be made without the written consent of Laird Tech. All rights to design or invention are reserved.		Laird TECHNOLOGIES®	
D	UPDATE COMPANY LOGO ADD ROHS SYMBOL	03/19/08	JRK	PROJECT/PART NUMBER:	REV	PART TYPE:	DRAWN BY:
C	REVISE DIMENSION C	02/16/06	JRK	HZ0805B272R-10	D	CO-FIRE	JRK
B	CORRECT TYPO ERROR ON DIMS B	11/30/05	JRK	DATE:	SCALE:	NTS	SHEET:
A	ORIGINAL DRAFT	04/16/04	JRK	04/16/04			2 of 2
REV	DESCRIPTION	DATE	INT	CAD #	TOOL #		
				HZ0805B272R-10-D			



Mouser Electronics

Authorized Distributor

Click to View Pricing, Inventory, Delivery & Lifecycle Information:

Laird:

[HZ0805B272R-10](#)