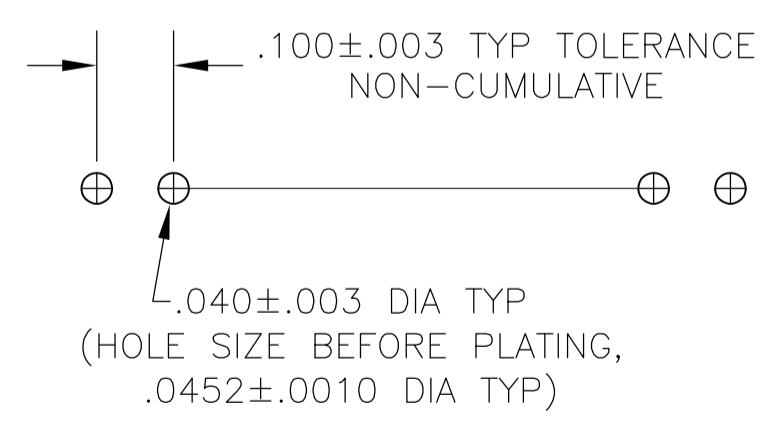
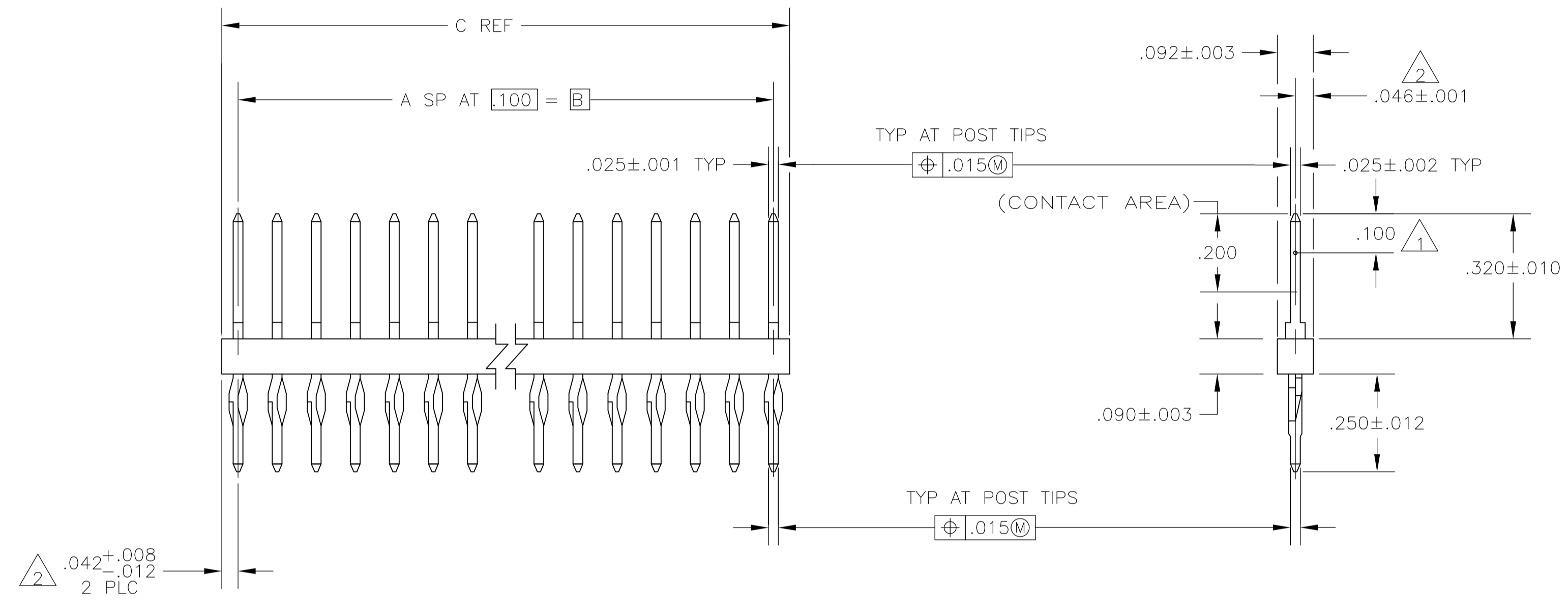


- 1 POINT OF MEASUREMENT FOR PLATING THICKNESS
- 2 THE NOTED DIMENSIONS APPLY AT THE INTERSECTION OF THE POST AND HOUSING
- 3 TRUE POSITION TOLERANCE OF THE POST TIPS APPLIES WHEN THE HEADERS ARE HELD FLAT AGAINST THE PRINTED CIRCUIT BOARD
- 4 FINISH: POSTS, .000030 GOLD IN CONTACT AREA, .000100-.000200 MATTE TIN-LEAD ON SOLDER TAIL, ALL OVER .000050 NICKEL.
- 5 FINISH: POSTS, .000030 GOLD IN CONTACT AREA, .000100-.000200 MATTE TIN ON SOLDER TAIL, ALL OVER .000050 NICKEL.
- 6 OBSOLETE PARTS: OBSOLETE CIS STREAMLINING PER D.RENAUD/D.SINISI



RECOMMENDED HOLE LAYOUT

| | | | | | | | |
|---|----------|---|-------|-------|----|----|------------|
| 6 | OBSOLETE | 4 | .284 | .200 | 2 | 3 | 9-103336-0 |
| 6 | OBSOLETE | 5 | .684 | .600 | 6 | 7 | 8-103336-9 |
| 6 | OBSOLETE | 4 | .484 | .400 | 4 | 5 | 8-103336-8 |
| 6 | OBSOLETE | 5 | .584 | .500 | 5 | 6 | 8-103336-7 |
| 6 | OBSOLETE | 4 | .384 | .300 | 3 | 4 | 8-103336-6 |
| 6 | OBSOLETE | 4 | .084 | 0 | 0 | 1 | 8-103336-5 |
| 6 | OBSOLETE | 4 | .184 | .100 | 1 | 2 | 8-103336-4 |
| 6 | OBSOLETE | 4 | 3.984 | 3.900 | 39 | 40 | 8-103336-3 |
| 6 | OBSOLETE | 4 | 3.584 | 3.500 | 35 | 36 | 7-103336-9 |
| 6 | OBSOLETE | 4 | 3.184 | 3.100 | 31 | 32 | 7-103336-5 |
| 6 | OBSOLETE | 4 | 2.984 | 2.900 | 29 | 30 | 7-103336-3 |
| 6 | OBSOLETE | 4 | 2.484 | 2.400 | 24 | 25 | 6-103336-8 |
| 6 | OBSOLETE | 4 | 1.984 | 1.900 | 19 | 20 | 6-103336-3 |
| 6 | OBSOLETE | 4 | 1.884 | 1.800 | 18 | 19 | 6-103336-2 |
| 6 | OBSOLETE | 4 | 1.784 | 1.700 | 17 | 18 | 6-103336-1 |
| 6 | OBSOLETE | 4 | 1.684 | 1.600 | 16 | 17 | 6-103336-0 |
| 6 | OBSOLETE | 4 | 1.584 | 1.500 | 15 | 16 | 5-103336-9 |
| 6 | OBSOLETE | 4 | 1.484 | 1.400 | 14 | 15 | 5-103336-8 |
| 6 | OBSOLETE | 4 | 1.384 | 1.300 | 13 | 14 | 5-103336-7 |
| 6 | OBSOLETE | 4 | 1.284 | 1.200 | 12 | 13 | 5-103336-6 |
| 6 | OBSOLETE | 4 | 1.184 | 1.100 | 11 | 12 | 5-103336-5 |
| 6 | OBSOLETE | 4 | 1.084 | 1.000 | 10 | 11 | 5-103336-4 |
| 6 | OBSOLETE | 4 | .984 | .900 | 9 | 10 | 5-103336-3 |
| 6 | OBSOLETE | 4 | .884 | .800 | 8 | 9 | 5-103336-2 |
| 6 | OBSOLETE | 4 | .784 | .700 | 7 | 8 | 5-103336-1 |

| | | | | | | |
|---|----------|-------|-------|----|------------|------------|
| 4 | .284 | .200 | 2 | 3 | 4-103336-0 | |
| 4 | .684 | .600 | 6 | 7 | 3-103336-9 | |
| 4 | .484 | .400 | 4 | 5 | 3-103336-8 | |
| 4 | .584 | .500 | 5 | 6 | 3-103336-7 | |
| 4 | .384 | .300 | 3 | 4 | 3-103336-6 | |
| 6 | OBSOLETE | .084 | 0 | 0 | 1 | 3-103336-5 |
| 4 | .184 | .100 | 1 | 2 | 3-103336-4 | |
| 4 | 3.984 | 3.900 | 39 | 40 | 3-103336-3 | |
| 4 | 3.884 | 3.800 | 38 | 39 | 3-103336-2 | |
| 4 | 3.784 | 3.700 | 37 | 38 | 3-103336-1 | |
| 4 | 3.684 | 3.600 | 36 | 37 | 3-103336-0 | |
| 6 | OBSOLETE | 3.584 | 3.500 | 35 | 36 | 2-103336-9 |
| 4 | 3.484 | 3.400 | 34 | 35 | 2-103336-8 | |
| 4 | 3.384 | 3.300 | 33 | 34 | 2-103336-7 | |
| 4 | 3.284 | 3.200 | 32 | 33 | 2-103336-6 | |
| 6 | OBSOLETE | 3.184 | 3.100 | 31 | 32 | 2-103336-5 |
| 4 | 3.084 | 3.000 | 30 | 31 | 2-103336-4 | |
| 4 | 2.984 | 2.900 | 29 | 30 | 2-103336-3 | |
| 4 | 2.884 | 2.800 | 28 | 29 | 2-103336-2 | |
| 4 | 2.784 | 2.700 | 27 | 28 | 2-103336-1 | |
| 4 | 2.684 | 2.600 | 26 | 27 | 2-103336-0 | |
| 6 | OBSOLETE | 2.584 | 2.500 | 25 | 26 | 1-103336-9 |
| 4 | 2.484 | 2.400 | 24 | 25 | 1-103336-8 | |
| 4 | 2.384 | 2.300 | 23 | 24 | 1-103336-7 | |
| 4 | 2.284 | 2.200 | 22 | 23 | 1-103336-6 | |
| 4 | 2.184 | 2.100 | 21 | 22 | 1-103336-5 | |
| 4 | 2.084 | 2.000 | 20 | 21 | 1-103336-4 | |
| 4 | 1.984 | 1.900 | 19 | 20 | 1-103336-3 | |
| 4 | 1.884 | 1.800 | 18 | 19 | 1-103336-2 | |
| 4 | 1.784 | 1.700 | 17 | 18 | 1-103336-1 | |
| 4 | 1.684 | 1.600 | 16 | 17 | 1-103336-0 | |
| 4 | 1.584 | 1.500 | 15 | 16 | 103336-9 | |
| 4 | 1.484 | 1.400 | 14 | 15 | 103336-8 | |
| 4 | 1.384 | 1.300 | 13 | 14 | 103336-7 | |
| 4 | 1.284 | 1.200 | 12 | 13 | 103336-6 | |
| 4 | 1.184 | 1.100 | 11 | 12 | 103336-5 | |
| 4 | 1.084 | 1.000 | 10 | 11 | 103336-4 | |
| 4 | .984 | .900 | 9 | 10 | 103336-3 | |
| 4 | .884 | .800 | 8 | 9 | 103336-2 | |
| 4 | .784 | .700 | 7 | 8 | 103336-1 | |

| PLATING | C | B | A | NO OF POSN | ASSEMBLY PART NUMBER |
|---------|---|---|---|------------|----------------------|
|---------|---|---|---|------------|----------------------|

| PLATING | C | B | A | NO OF POSN | ASSEMBLY PART NUMBER |
|---------|---|---|---|------------|----------------------|
|---------|---|---|---|------------|----------------------|

THIS DRAWING IS A CONTROLLED DOCUMENT.

DWN: H. MOLL 16 JULY 87
 CHK: L.A. MAYER 16 JULY 87
 APVD: T.C. CLARK 17 JULY 87

STE TE Connectivity

NAME: HEADER ASSY, MOD II, UNSHROUDED, COMPLIANT PIN, SINGLE, ROW .100 X .100C/L, WITH .025 SQ POSTS

PRODUCT SPEC: ---
 APPLICATION SPEC: ---
 MATERIAL: ---
 FINISH: SEE TABLE

SIZE: A1
 CAGE CODE: 00779
 DRAWING NO: 103336

RESTRICTED TO: ---
 WEIGHT: ---
 CUSTOMER DRAWING: ---
 SCALE: 4:1
 SHEET: 1 of 1
 REV: H3

Mouser Electronics

Authorized Distributor

Click to View Pricing, Inventory, Delivery & Lifecycle Information:

[TE Connectivity:](#)

[8-103336-3](#)