

Fundamental Quartz Crystal Oscillator

■GENERAL DESCRIPTION

The NJU6367 series is a C-MOS fundamental quartz crystal oscillator that consists of an oscillation amplifier, 3-stage divider and 3-state output buffer.

The 3-stage divider generates only one frequency selected of $f_0, f_0/2, f_0/4, f_0/8, f_0/16$ and $f_0/32$ by internal circuits is output.

The oscillation amplifier is realized very low stand-by current using NAND circuit.

The 3-state output buffer is C-MOS compatible.

■PACKAGE OUTLINE

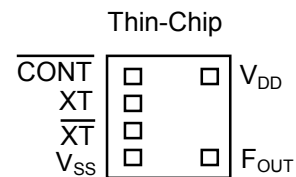


NJU6367XC-D

■FEATURES

- Operating Voltage 2.0 to 5.5V
- Maximum Oscillation Frequency 50MHz
- Low Operating Current
- High Fan-out
 - $I_{OH}/I_{OL}=5mA@2.5V$
 - $I_{OH}/I_{OL}=6mA@3.0V$
 - $I_{OH}/I_{OL}=12mA@5.0V$
- 3-Stage Divider Maximum Divider $f_0/32$
- Oscillation Stop and Output Stand-by Function
- 3-State Output Buffer
- Oscillation Capacitors C_g and C_d on-chip
- Package Outline Thin-Chip
- C-MOS Technology

■PAD LOCATION



■LINE-UP TABLE

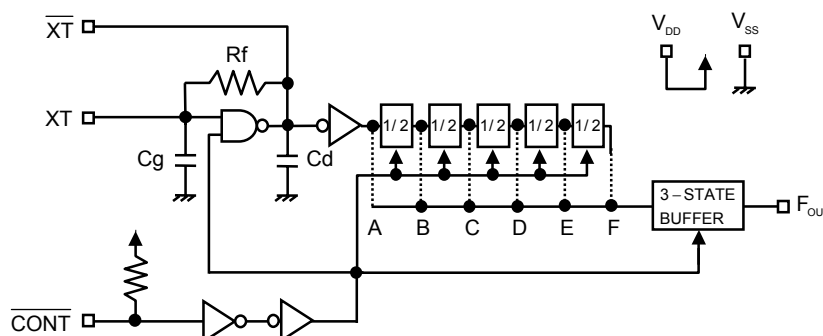
Type No.	F _{OUT}	Internal Connect	C _g /C _d
A	f_0	Connected A Line	23/23pF
B	$f_0/2$	Connected B Line	23/23pF
C	$f_0/4$	Connected C Line	23/23pF
D	$f_0/8$	Connected D Line	23/23pF
E	$f_0/16$	Connected E Line	23/23pF
F	$f_0/32$	Connected F Line	23/23pF
P	f_0	Connected A Line	Non

■COORDINATES

No	Pad Name	X	Y
1	$\overline{\text{CONT}}$	-178	231
2	XT	-178	77
3	$\overline{\text{XT}}$	-178	-77
4	V _{SS}	-178	-231
5	F _{OUT}	206	-231
6	V _{DD}	206	231

Starting Point: Chip Center Unit[um]
 Chip Size: 0.7x0.75mm
 Thin-Die Thickness(C-D): 200±20um
 Thin-Die Thickness(C-L): 140±10um
 Wafer Thickness(W-H): 200±20um
 Wafer Thickness(W-L): 140±10um
 Pad Size: 90x90um
 Die Substrate: V_{DD} Level

■BLOCK DIAGRAM



■ TERMINAL DESCRIPTION

SYMBOL	FUNCTION	
$\overline{\text{CONT}}$	Oscillation and 3-state Output Buffer Control	
	$\overline{\text{CONT}}$	F_{OUT}
	H or OPEN	Output either one frequency selected of f_0 , $f_0/2$, $f_0/4$, $f_0/8$, $f_0/16$ and $f_0/32$ Note1)
	L	Oscillation Stop and High impedance Output
$\overline{\text{XT}}$	Quartz Crystal Connecting Terminals	
V_{SS}	$V_{\text{SS}}=0\text{V}$	
F_{OUT}	Frequency Output	
V_{DD}	$V_{\text{DD}}=2.5/3.0\text{V}/5.0\text{V}$	

Note1) Refer to the line-up table.

■ ABSOLUTE MAXIMUM RATINGS

($T_a=25^\circ\text{C}$)

PARAMETER	SYMBOL	RATING	UNIT
Supply Voltage	V_{DD}	-0.5 to +7.0	V
Input Voltage	V_{IN}	$V_{\text{SS}}-0.5$ to $V_{\text{DD}}+0.5$	V
Output Voltage	V_{O}	-0.5 to $V_{\text{DD}}+0.5$	V
Input Current	I_{IN}	± 10	mA
Output Current	I_{O}	± 25	mA
Operating Temperature Range	T_{opr}	-40 to +85	$^\circ\text{C}$
Storage Temperature Range	T_{stg}	-55 to +125	$^\circ\text{C}$

Note2) If the supply voltage(V_{DD}) is less than 7.0V, the input voltage must not over the V_{DD} level though 7.0V is limit specified.

Note3) Decoupling capacitor should be connected between V_{DD} and V_{SS} due to the stabilized operation for the circuit.

■ ELECTRICAL CHARACTERISTICS

(Ta=25°C)

PARAMETER	SYMBOL	CONDITIONS	MIN	TYP	MAX	UNIT
Operating Voltage	V _{DD}		2.0		5.5	V

(V_{DD}=2.5V, Ta=25°C)

PARAMETER	SYMBOL	CONDITIONS	MIN	TYP	MAX	UNIT
Operating Current	I _{DD}	A version, fosc=16MHz, C _L =15pF			5	mA
		B version, fosc=16MHz, C _L =15pF			4	
		C version, fosc=16MHz, C _L =15pF			3	
		D version, fosc=16MHz, C _L =15pF			3	
		E version, fosc=16MHz, C _L =15pF			3	
		F version, fosc=16MHz, C _L =15pF			3	
		P version, fosc=16MHz, C _L =15pF Note4)			5	
Oscillation Stopping Current	I _{STB}	$\overline{\text{CONT}} = V_{SS}$, No load		2	5	uA
Stand-by Current	I _{st}	$\overline{\text{CONT}} = \text{XT} = V_{SS}$, No load Note5)			1	uA
Input Voltage	V _{IH}		2.0		2.5	V
	V _{IL}		0		0.5	V
Output Current	I _{OH}	V _{OH} =2.2V	5			mA
	I _{OL}	V _{OL} =0.3V	5			mA
Input Current	I _{IN}	$\overline{\text{CONT}} = 0.8V_{DD}$		7.5	12.0	uA
		$\overline{\text{CONT}} = 0.2V_{DD}$		1.2	2.0	uA
3-state Off Leakage Current	I _{OZ}	$\overline{\text{CONT}} = V_{SS}$, F _{OUT} = V _{DD} or V _{SS}			±0.1	uA
Feedback Resistance	R _f			255		kΩ
Internal Capacitor	C _g /C _d	fosc=16MHz, A/B/C/D/E/F version		23/23		pF
		P version		-		
Maximum Oscillation Frequency	F _{MAX}		50			MHz
Output Signal Symmetry	SYM	C _L =15pF, @V _{DD} /2	45	50	55	%
		C _L =30pF, @V _{DD} /2	45	50	55	
Output Signal Rise Time	tr	C _L =15pF, 10% to 90%		3	6	ns
		C _L =30pF, 10% to 90%		4	8	
Output Signal Fall Time	tf	C _L =15pF, 90% to 10%		3	6	ns
		C _L =30pF, 90% to 10%		4	8	
Output Disable time	t _{PLZ}	C _L =15pF, R _{UP} =10kΩ			200	ns
Output Enable Time	t _{PZL}	C _L =15pF, R _{UP} =10kΩ			200	ns

Note4) P version is measured with external capacitors contained 23pF for C_g and 23pF for C_d.

Note5) Excluding input current on $\overline{\text{CONT}}$ Terminal.

(V_{DD}=3.0V, Ta=25°C)

PARAMETER	SYMBOL	CONDITIONS	MIN	TYP	MAX	UNIT
Operating Current	I _{DD}	A version, fosc=16MHz, C _L =15pF			6	mA
		B version, fosc=16MHz, C _L =15pF			5	
		C version, fosc=16MHz, C _L =15pF			4	
		D version, fosc=16MHz, C _L =15pF			4	
		E version, fosc=16MHz, C _L =15pF			4	
		F version, fosc=16MHz, C _L =15pF			4	
		P version, fosc=16MHz, C _L =15pF Note4)			6	
Oscillation Stopping Current	I _{STB}	$\overline{\text{CONT}} = V_{SS}$, No load		2	5	uA
Stand-by Current	I _{st}	$\overline{\text{CONT}} = \text{XT} = V_{SS}$, No load Note5)			1	uA
Input Voltage	V _{IH}		2.1		3.0	V
	V _{IL}		0		0.9	V
Output Current	I _{OH}	V _{OH} =2.7V	6			mA
	I _{OL}	V _{OL} =0.3V	6			mA
Input Current	I _{IN}	$\overline{\text{CONT}} = 0.8V_{DD}$		10.0	15.0	uA
		$\overline{\text{CONT}} = 0.2V_{DD}$		1.8	3.0	uA
3-state Off Leakage Current	I _{OZ}	$\overline{\text{CONT}} = V_{SS}$, F _{OUT} = V _{DD} or V _{SS}			±0.1	uA
Feedback Resistance	R _f			255		kΩ
Internal Capacitor	C _g /C _d	fosc=16MHz, A/B/C/D/E/F version		23/23		pF
		P version		-		
Maximum Oscillation Frequency	F _{MAX}		50			MHz
Output Signal Symmetry	SYM	C _L =15pF, @V _{DD} /2	45	50	55	%
		C _L =30pF, @V _{DD} /2	45	50	55	
Output Signal Rise Time	tr	C _L =15pF, 10% to 90%		3	6	ns
		C _L =30pF, 10% to 90%		4	8	
Output Signal Fall Time	tf	C _L =15pF, 90% to 10%		3	6	ns
		C _L =30pF, 90% to 10%		4	8	
Output Disable time	t _{PLZ}	C _L =15pF, R _{UP} =10kΩ			150	ns
Output Enable Time	t _{PZL}	C _L =15pF, R _{UP} =10kΩ			150	ns

Note4) P version is measured with external capacitors contained 23pF for C_g and 23pF for C_d.

Note5) Excluding input current on $\overline{\text{CONT}}$ Terminal.

(V_{DD}=5.0V, Ta=25°C)

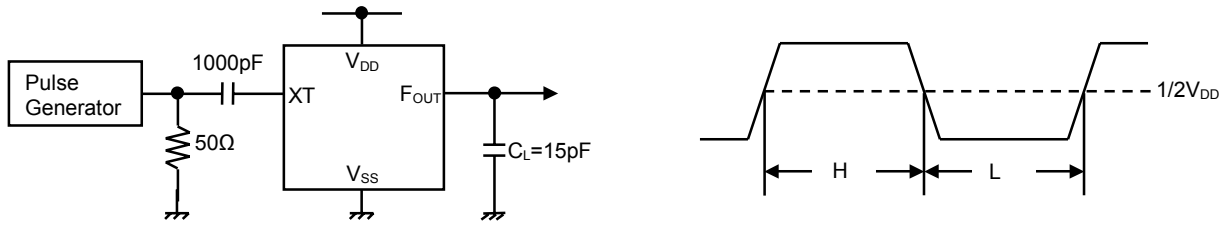
PARAMETER	SYMBOL	CONDITIONS	MIN	TYP	MAX	UNIT
Operating Current	I _{DD}	A version, fosc=16MHz, C _L =15pF			10	mA
		B version, fosc=16MHz, C _L =15pF			9	
		C version, fosc=16MHz, C _L =15pF			9	
		D version, fosc=16MHz, C _L =15pF			8	
		E version, fosc=16MHz, C _L =15pF			8	
		F version, fosc=16MHz, C _L =15pF			8	
		P version, fosc=16MHz, C _L =15pF Note4)			10	
Oscillation Stopping Current	I _{STB}	$\overline{\text{CONT}} = V_{SS}$, No load		5	10	uA
Stand-by Current	I _{st}	$\overline{\text{CONT}} = \text{XT} = V_{SS}$, No load Note5)			1	uA
Input Voltage	V _{IH}		3.5		5.0	V
	V _{IL}		0		1.5	V
Output Current	I _{OH}	V _{OH} =4.5V	12			mA
	I _{OL}	V _{OL} =0.5V	12			mA
Input Current	I _{IN}	$\overline{\text{CONT}} = 0.8V_{DD}$		27.0	40.0	uA
		$\overline{\text{CONT}} = 0.2V_{DD}$		5.5	8.0	uA
3-state Off Leakage Current	I _{OZ}	$\overline{\text{CONT}} = V_{SS}$, F _{OUT} = V _{DD} or V _{SS}			±0.1	uA
Feedback Resistance	R _f			255		kΩ
Internal Capacitor	C _g /C _d	fosc=16MHz, A/B/C/D/E/F version		23/23		pF
		P version		-		
Maximum Oscillation Frequency	F _{MAX}		50			MHz
Output Signal Symmetry	SYM	C _L =15pF, @V _{DD} /2	45	50	55	%
		C _L =30pF, @V _{DD} /2	45	50	55	
Output Signal Rise Time	tr	C _L =15pF, 10% to 90%		2	4	ns
		C _L =30pF, 10% to 90%		3	6	
Output Signal Fall Time	tf	C _L =15pF, 90% to 10%		2	4	ns
		C _L =30pF, 90% to 10%		3	6	
Output Disable time	t _{PLZ}	C _L =15pF, R _{UP} =10kΩ			100	ns
Output Enable Time	t _{PZL}	C _L =15pF, R _{UP} =10kΩ			100	ns

Note4) P version is measured with external capacitors contained 23pF for C_g and 23pF for C_d.

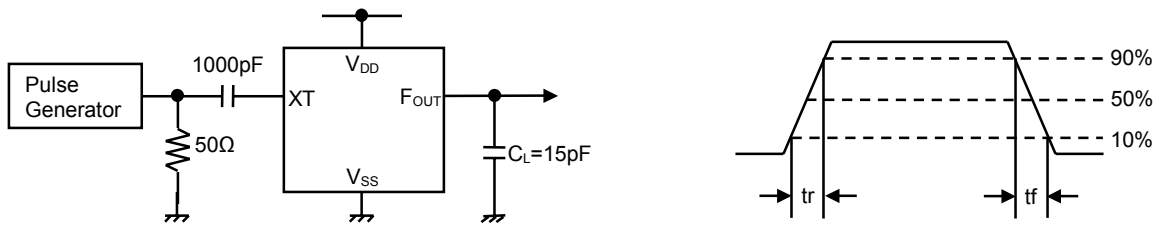
Note5) Excluding input current on $\overline{\text{CONT}}$ Terminal.

MEASUREMENT CIRCUITS

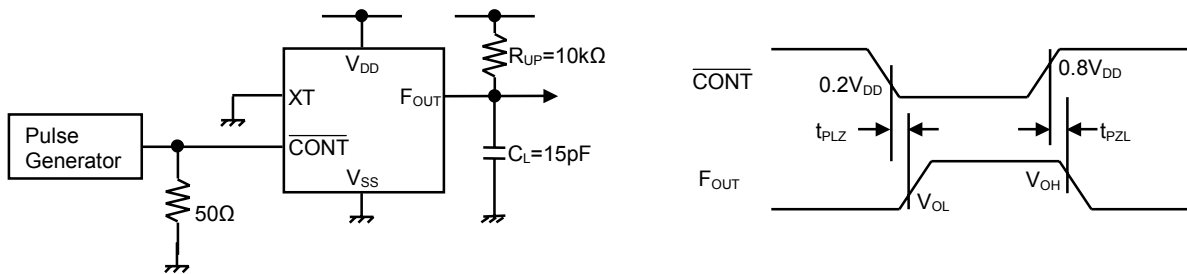
(1) Output Signal Symmetry ($C_L=15\text{pF}$)



(2) Output Signal Rise/Fall Time ($C_L=15\text{pF}$)



(3) Output Disable/Enable Time ($C_L=15\text{pF}, R_{UP}=10\text{k}\Omega$)



[CAUTION]
 The specifications on this data book are only given for information, without any guarantee as regards either mistakes or omissions. The application circuits in this data book are described only to show representative usages of the product and not intended for the guarantee or permission of any right including the industrial rights.

Mouser Electronics

Authorized Distributor

Click to View Pricing, Inventory, Delivery & Lifecycle Information:

[NJR:](#)

[NJU6367CC-D](#) [NJU6367DC-D](#) [NJU6367AC-D](#) [NJU6367EC-D](#) [NJU6367BC-D](#) [NJU6367FC-D](#)