
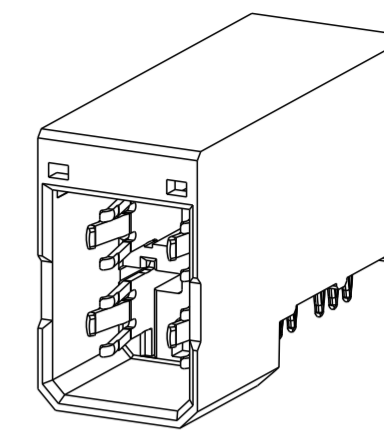
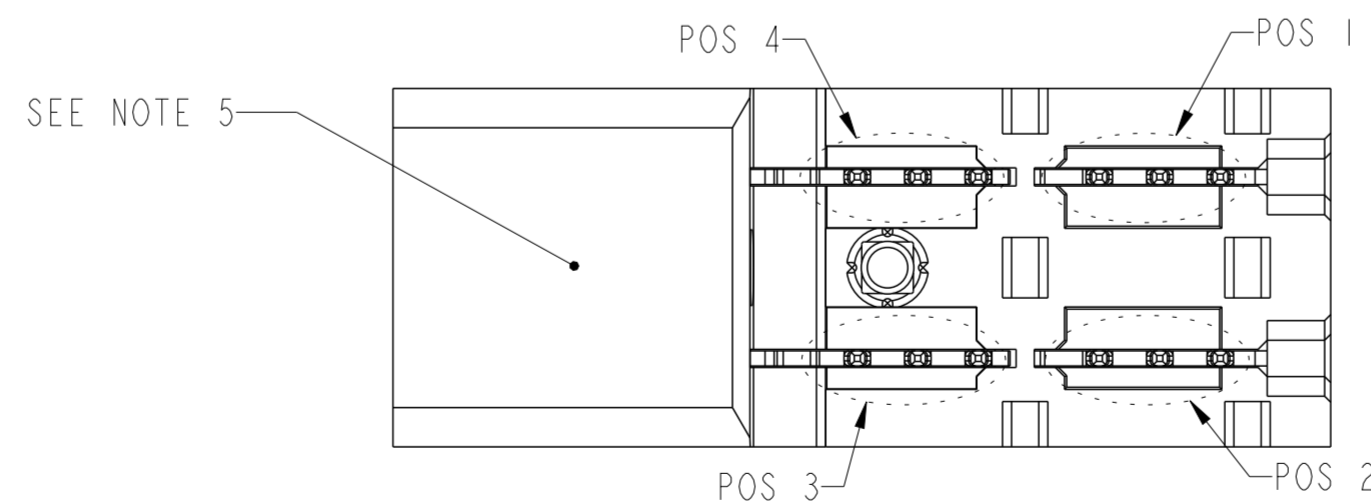
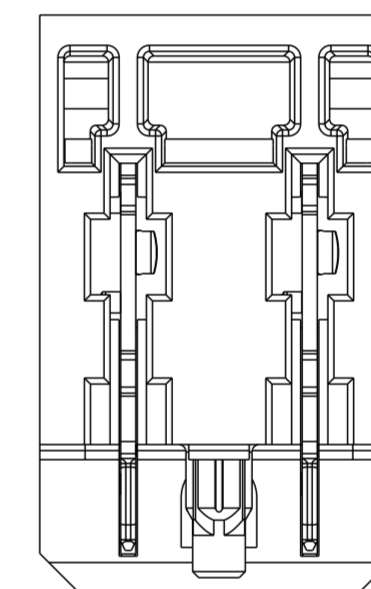
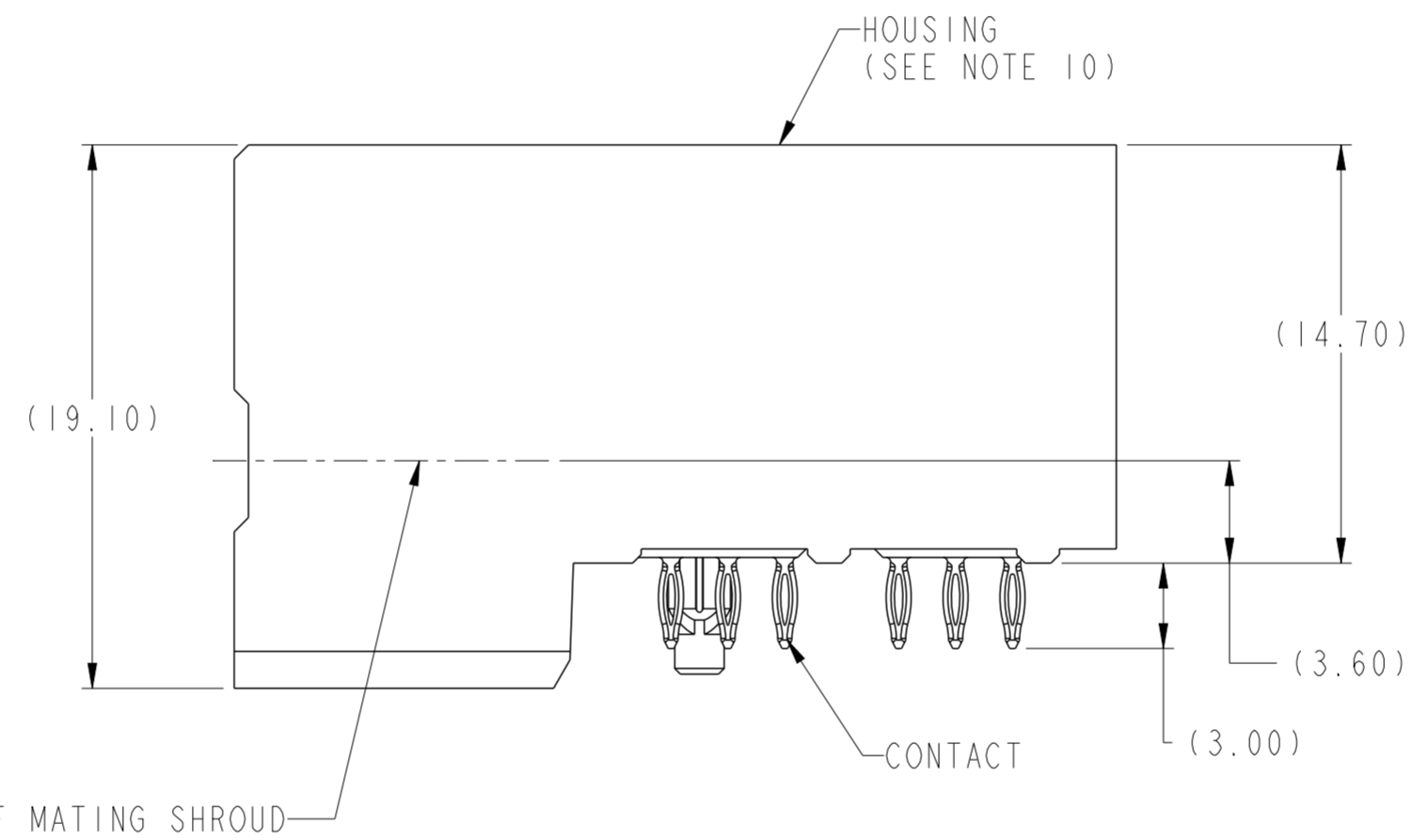
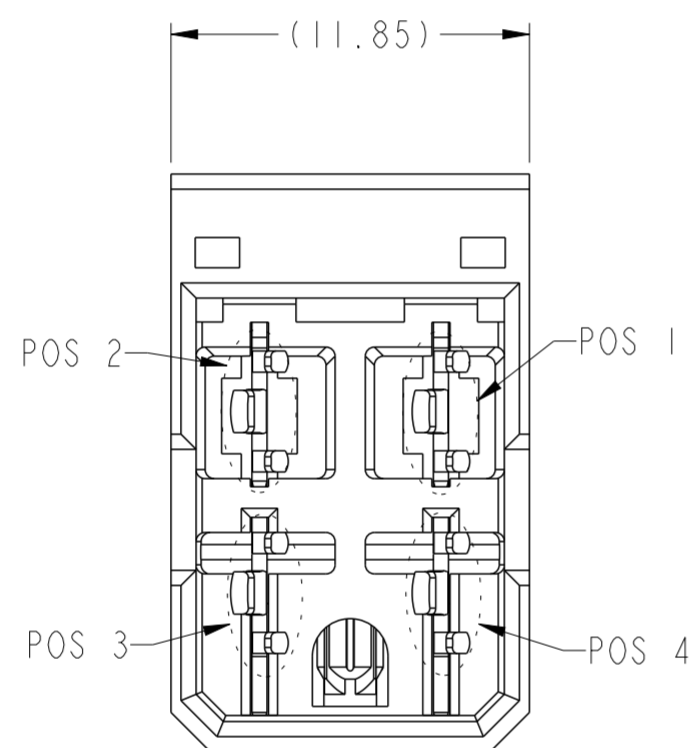
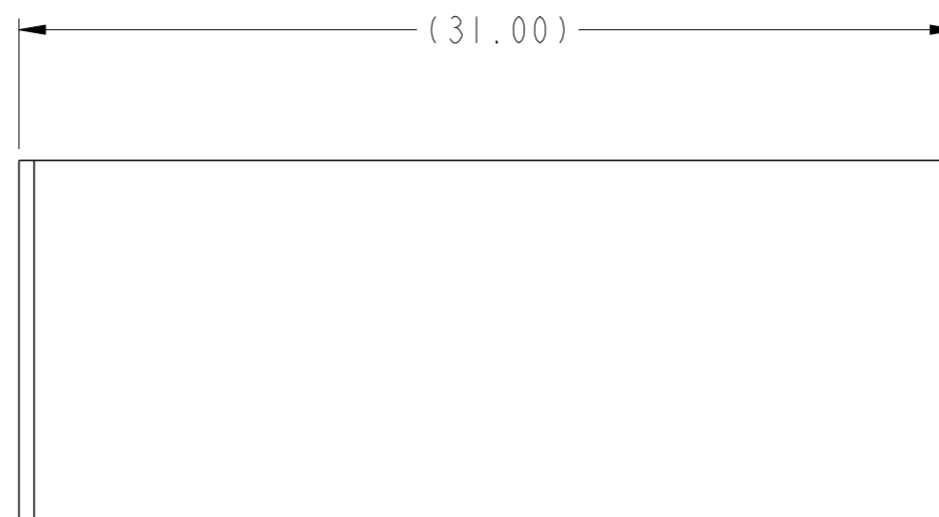


PRODUCT NUMBER (SEE NOTE 2)	CONTACT PLATING		ROHS COMPATIBILITY
	 SEPARABLE INTERFACE	PRESS-FIT TAIL	
	10028917-001	0.76um MIN GXT OVER NICKEL	0.5um MIN TIN-LEAD OVER NICKEL
10028917-001LF	0.76um MIN GXT OVER NICKEL	0.5um MIN MATTE TIN OVER NICKEL	SEE NOTE 8



SCALE 2:1



spec ref	GS-12-220	dr	Chen-Hong Tan	2005/08/03	projection	MM	size	A2	scale	4:1	
tolerance std	ASME Y14.5	eng	Suzie Nah	2014/03/21	chr	-	ecn no	ELX-8-17215-1	rel level	Released	
surface	✓	appr	Chen-Hong Tan	2014/03/24	product family	2mm High Power	rel level	Released	title	R/A HEADER ASSY 2X2 AIRMAX POWER	
ASME Y14.5	linear	0.X	±.3	0.XX	±.1	0.XXX	±.050	angular	0°	±2°	
www.fci.com		cat. no.		-		Product - Customer Drw		sheet 1 of 2		rev	G

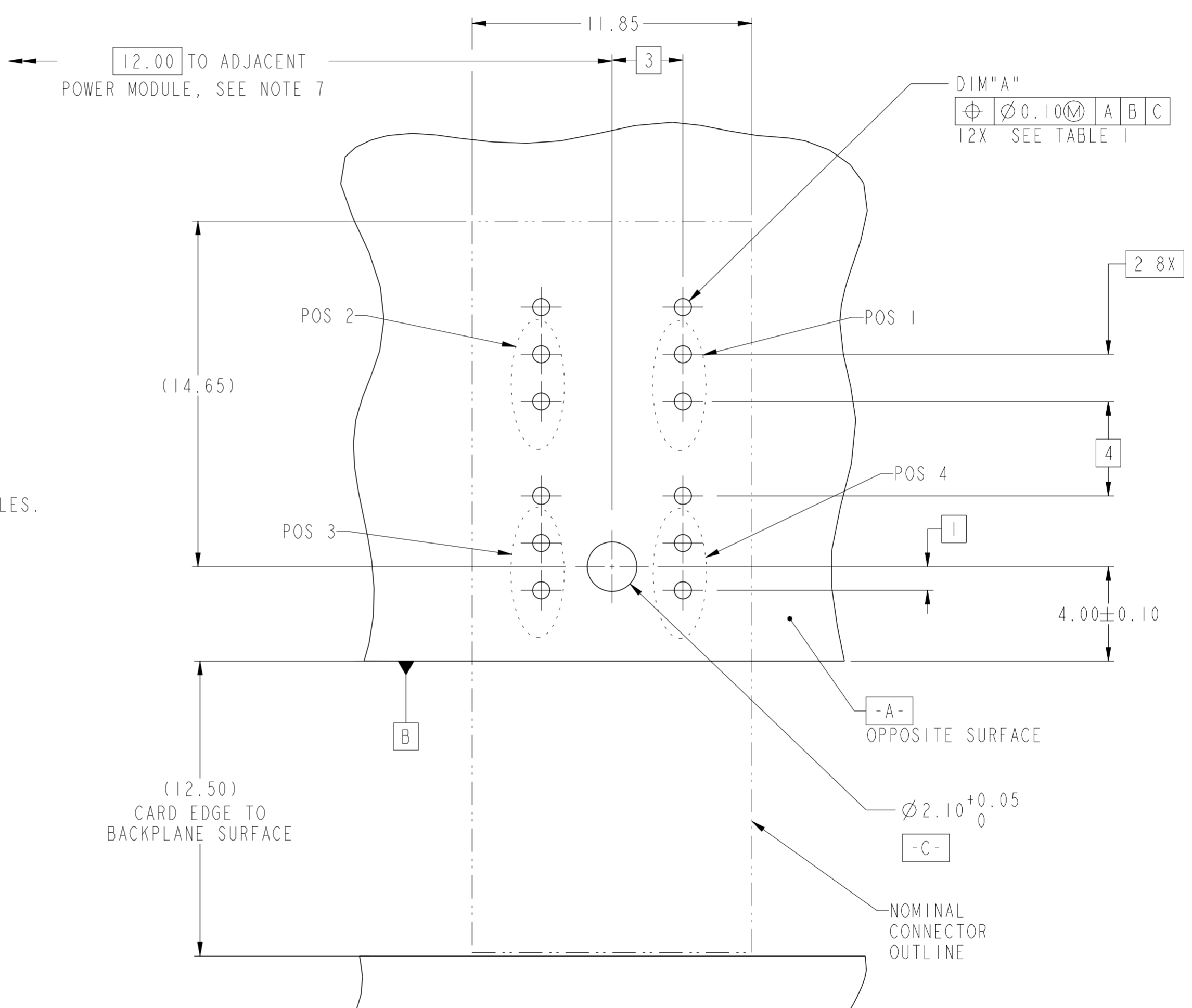
PDS: Rev :G

STATUS:Released

Printed: Apr 01, 2014

TOP LAYER DESCRIPTION	TABLE I PLATED THROUGH-HOLE REQUIREMENTS							
	DRILLED HOLE DIAMETER	COPPER THICKNESS	TIN-LEAD THICKNESS	NICKEL THICKNESS	GOLD THICKNESS	TIN THICKNESS	SILVER THICKNESS	FINISHED HOLE DIAMETER (DIM"A")
TIN-LEAD	0.81-0.86 (0.85 DRILL)	0.025 - 0.050	0.005 - 0.015	--	--	--	--	0.65 - 0.80
IMMERSION TIN	0.81-0.86 (0.85 DRILL)	0.025 - 0.050	--	--	--	0.9 - 1.5um	--	0.70 - 0.80
IMMERSION SILVER	0.81-0.86 (0.85 DRILL)	0.025 - 0.050	--	--	--	--	0.15 - 0.65um	0.70 - 0.80
COPPER (SEE NOTE 11)	0.81-0.86 (0.85 DRILL)	0.025 - 0.050	--	--	--	--	--	0.70 - 0.80
GOLD	0.81-0.86 (0.85 DRILL)	0.025 - 0.050	--	0.003 - 0.007	FLASH UP TO 0.0002	--	--	0.69 - 0.80

- NOTES:
- CONNECTOR MATERIALS:
HOUSING: HIGH TEMPERATURE THERMOPLASTIC, BLACK
UL 94V-0 COMPLIANT
CONTACT: HIGH PERFORMANCE COPPER ALLOY
 - "LF" SUFFIX DENOTES "LEAD-FREE"
 - PRODUCT SPECIFICATION: GS-12-220
 - APPLICATION SPECIFICATION: GS-20-023
 - PRODUCT MARKING (PRODUCT NUMBER & LOT CODE) ON HOUSING.
 - MINIMUM NOMINAL PCB THICKNESS: 1.6mm
 - REFER TO CUSTOMER DRAWING 10035911 FOR INFORMATION REGARDING PCB LAYOUT OF POWER AND GUIDE MODULES RELATIVE TO SIGNAL MODULES.
 - PRODUCT MEETS EUROPEAN UNION DIRECTIVES AND OTHER COUNTRY REGULATIONS AS DESCRIBED IN FCI SPECIFICATION GS-22-008.
 - PACKAGING MEETS FCI SPECIFICATION GS-14-920.
 - HOUSING COMPONENT WILL WITHSTAND EXPOSURE TO 260°C PEAK TEMPERATURE FOR 60 SECONDS IN A CONVECTION, INFRA-RED, OR VAPOR PHASE REFLOW OVEN.
 - COPPER PLATING THICKNESS IN CENTER OF VIA-HOLE CAN BE NO MORE THAN 0.003 LESS THAN OTHER AREAS.
 - A Δ SYMBOL WILL BE NEXT TO ANY DIMENSION, VIEW, OR NOTE WHICH HAS BEEN MODIFIED WITH THE CURRENT DRAWING REVISION



RECOMMENDED PCB LAYOUT,
COMPONENT SIDE
SEE NOTE 6
SCALE 6:1

spec ref	GS-12-220	dr	Chen-Hong Tan	2005/08/03	projection	MM	size	A2	scale	1:1
tolerance std	ASME Y14.5	eng	Suzie Nah	2014/03/21	chr	-	ecn no	ELX-S-17215-1	rel level	Released
surface	✓	appr	Chen-Hong Tan	2014/03/24	product family	-	dwg no	10028917	rev	G
ASME Y14.5	linear	0.X	±.3	0.XX	±.1	0.XXX	±.050	angular	0°	±2°
www.fci.com		cat. no.		Product - Customer Drw		sheet 2 of 2				

Mouser Electronics

Authorized Distributor

Click to View Pricing, Inventory, Delivery & Lifecycle Information:

[FCI / Amphenol:](#)

[10028917-001](#) [10028917-001LF](#)