

THIS DRAWING IS UNPUBLISHED. RELEASED FOR PUBLICATION  
 © COPYRIGHT BY TYCO ELECTRONICS CORPORATION. ALL RIGHTS RESERVED.

LOC	DIST	REVISIONS					
		P	LTR	DESCRIPTION	DATE	DWN	APVD
FT	0	A		REVISED PER ECO-07-023317	12/17/07	SS	MS

SPECIFICATIONS:

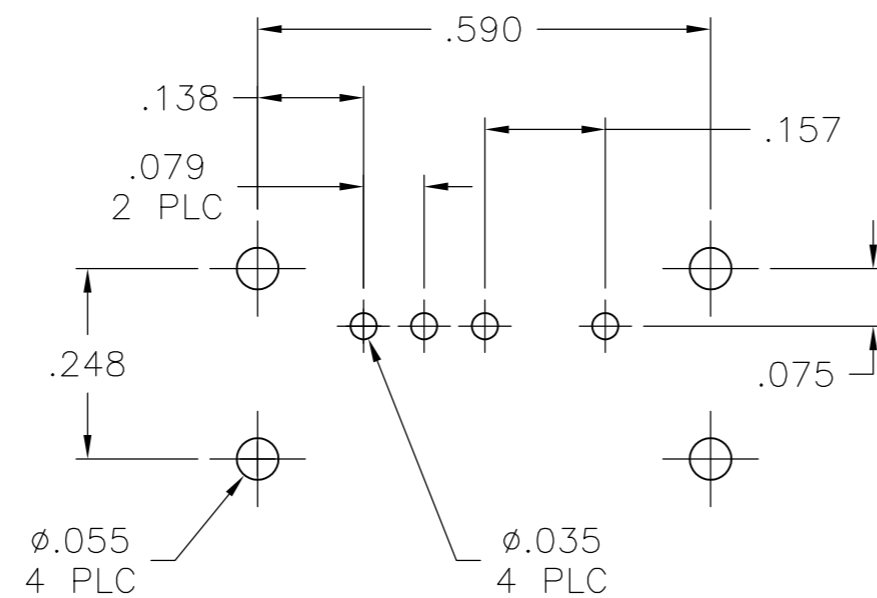
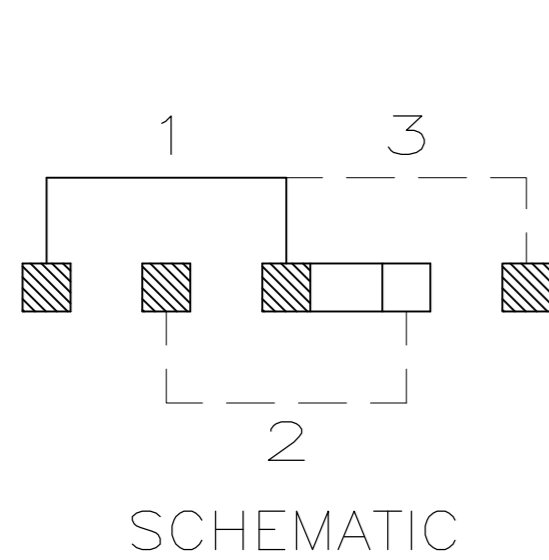
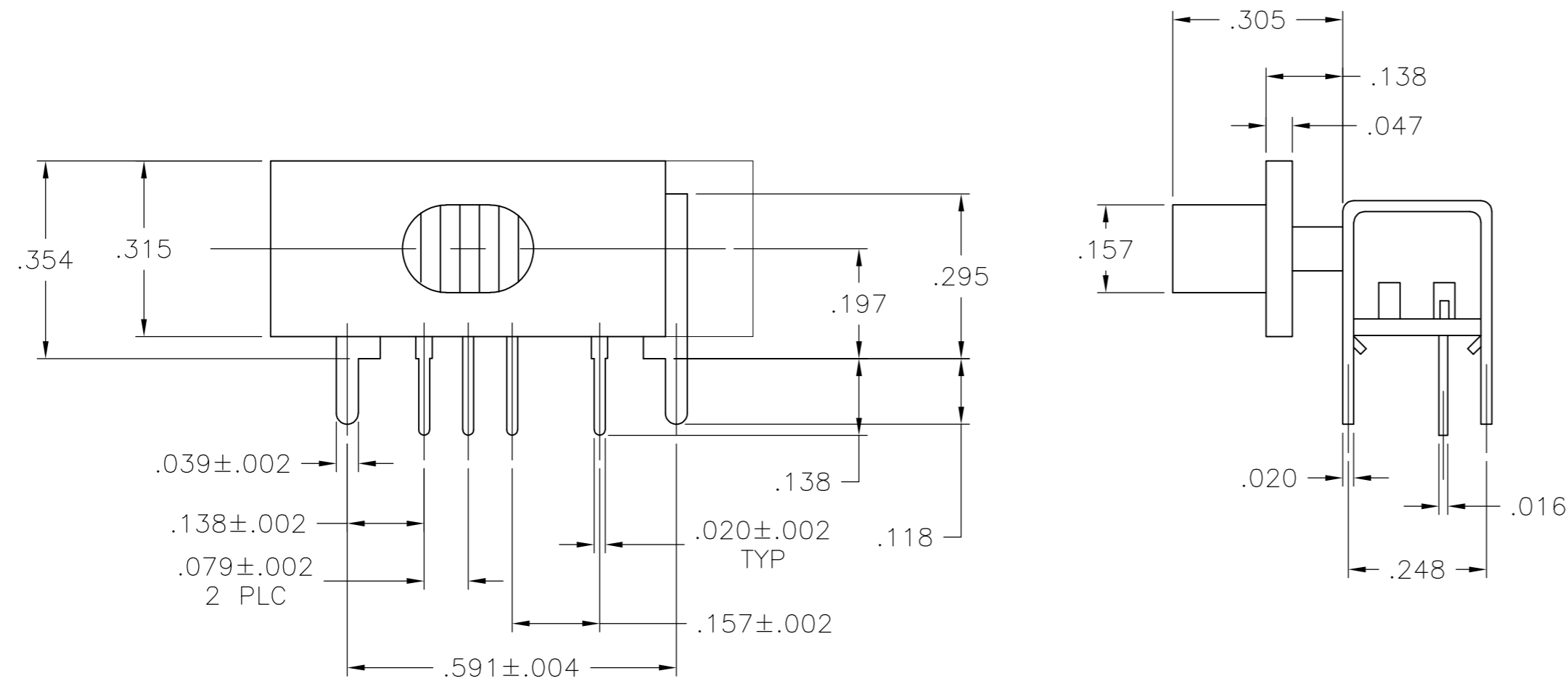
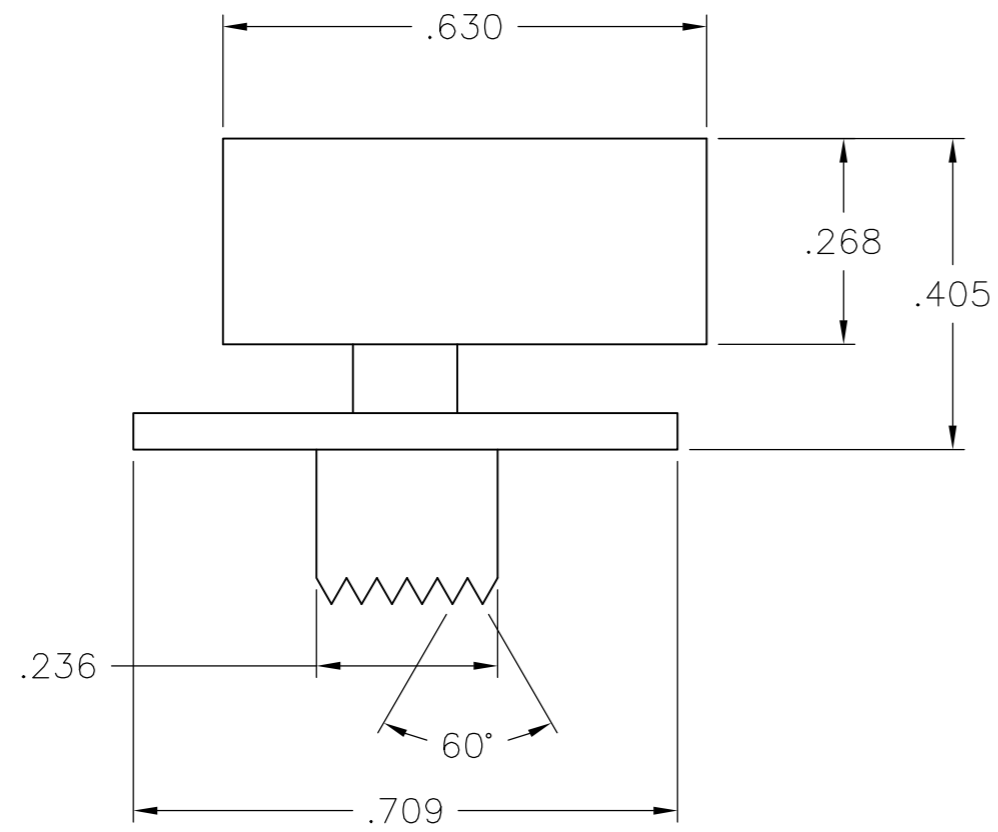
**MATERIALS:**  
 FIXED CONTACT: BRASS, SILVER OVER NICKEL PLATED.  
 FRAME: STEEL, TIN PLATED.  
 MOVABLE CONTACT: PHOS. BRONZE, SILVER PLATED.  
 TERMINAL BOARD: BAKELITE.

**ELECTRICAL:**  
 CONTACT RATING: 0.3A @ 125VAC.  
 INITIAL CONTACT RESISTANCE: 20 MILLIOHMS MAX.  
 INSULATION RESISTANCE: 100 MEGAOHMS MIN @ 500VDC.  
 DIELECTRIC STRENGTH: 500VAC.

**MECHANICAL:**  
 ACTUATOR TRAVEL: .079" PER POSITION.  
 ACTUATOR FORCE: 100 TO 700 GF.

**ENVIRONMENTAL:**  
 OPERATING & STORAGE TEMP.: -10°C TO +60°C.  
 MECHANICAL LIFE: 10,000 CYCLES MIN.

- ALL MATERIALS AND FINISHES SHALL COMPLY WITH EU DIRECTIVE 2002/95/EC OF 27JAN2003 (ROHS).



THIS DRAWING IS A CONTROLLED DOCUMENT.		DWN	S SCHLEGEL	17DEC2007	Tyco Electronics Corporation Harrisburg, PA 17105-3608		
DIMENSIONS: INCHES		CHK	M SARVER	12/17/07	NAME SDS1340RAX, SLIDE SWITCH		
TOLERANCES UNLESS OTHERWISE SPECIFIED:		APVD	M SARVER	12/17/07	PRODUCT SPEC		
0 PLC ± -		APPLICATION SPEC		SIZE			
1 PLC ± -		-		CAGE CODE		DRAWING NO	
2 PLC ± -		-		A2		00779	
3 PLC ± .008		-		C=		1437577-4	
4 PLC ± -		-		SCALE		SHEET	
ANGLES ± 1°		-		4:1		1 of 1	
FINISH		-		WEIGHT		REV	
-		-		CUSTOMER DRAWING		A	

1437577-4

# Mouser Electronics

Authorized Distributor

Click to View Pricing, Inventory, Delivery & Lifecycle Information:

[TE Connectivity:](#)

[SDS1340RA8](#)