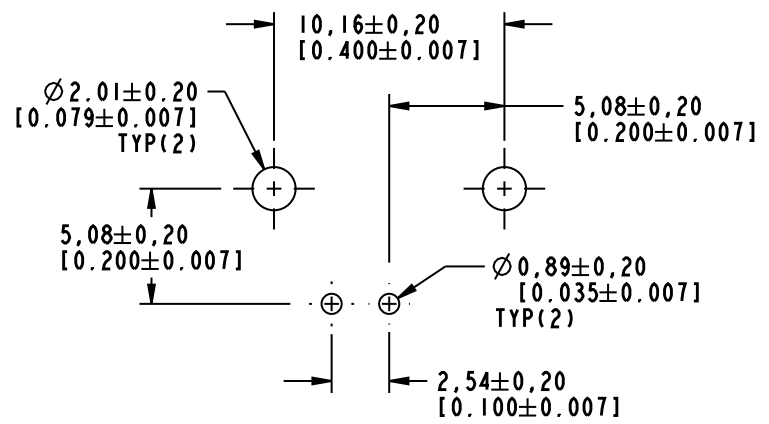
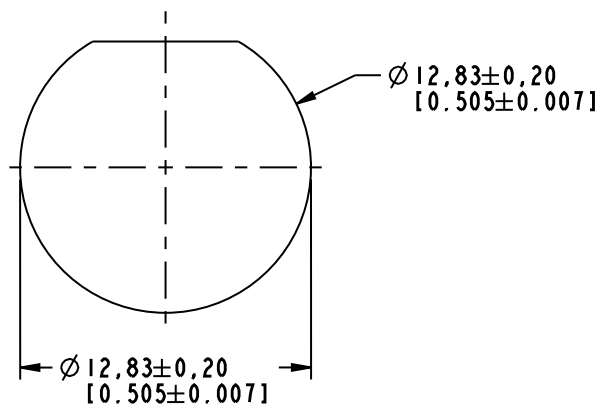


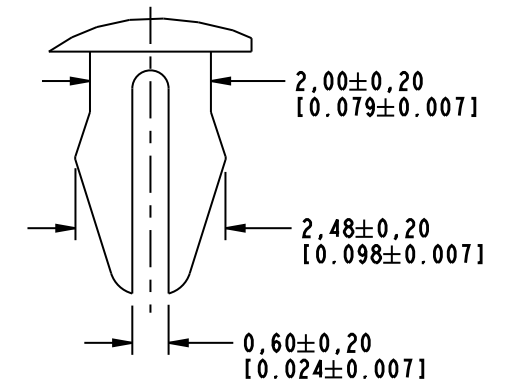
112502		REVISIONS			
DRAWING NO.	REV	DESCRIPTION	DATE	ECO	APPR
THIRD ANGLE PROJ.	A	UPDATE DRAWING FORMAT	06/05/03	--	
	B	MODIFY MOUNTING POST	01/10/04	--	
	C	HEX NUT ANT LOCK WASHER REMOVED	19-Jan-10	2012	BM



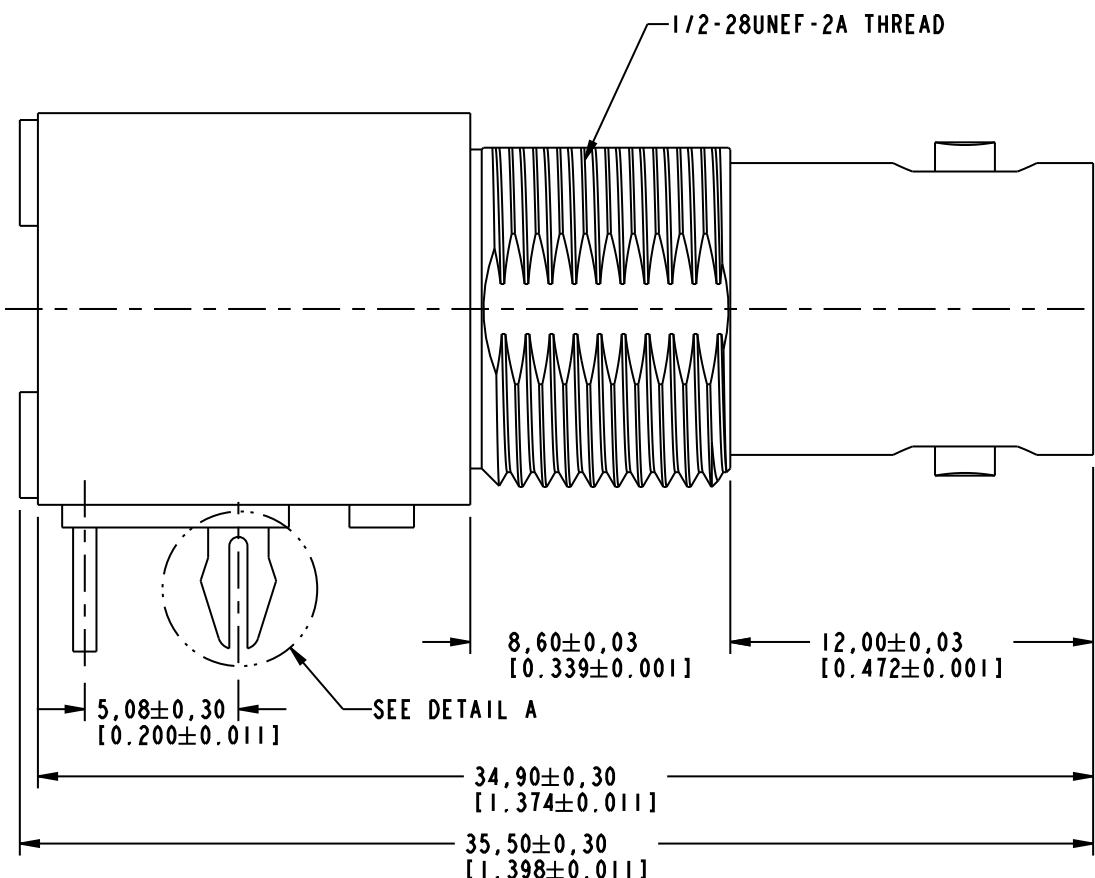
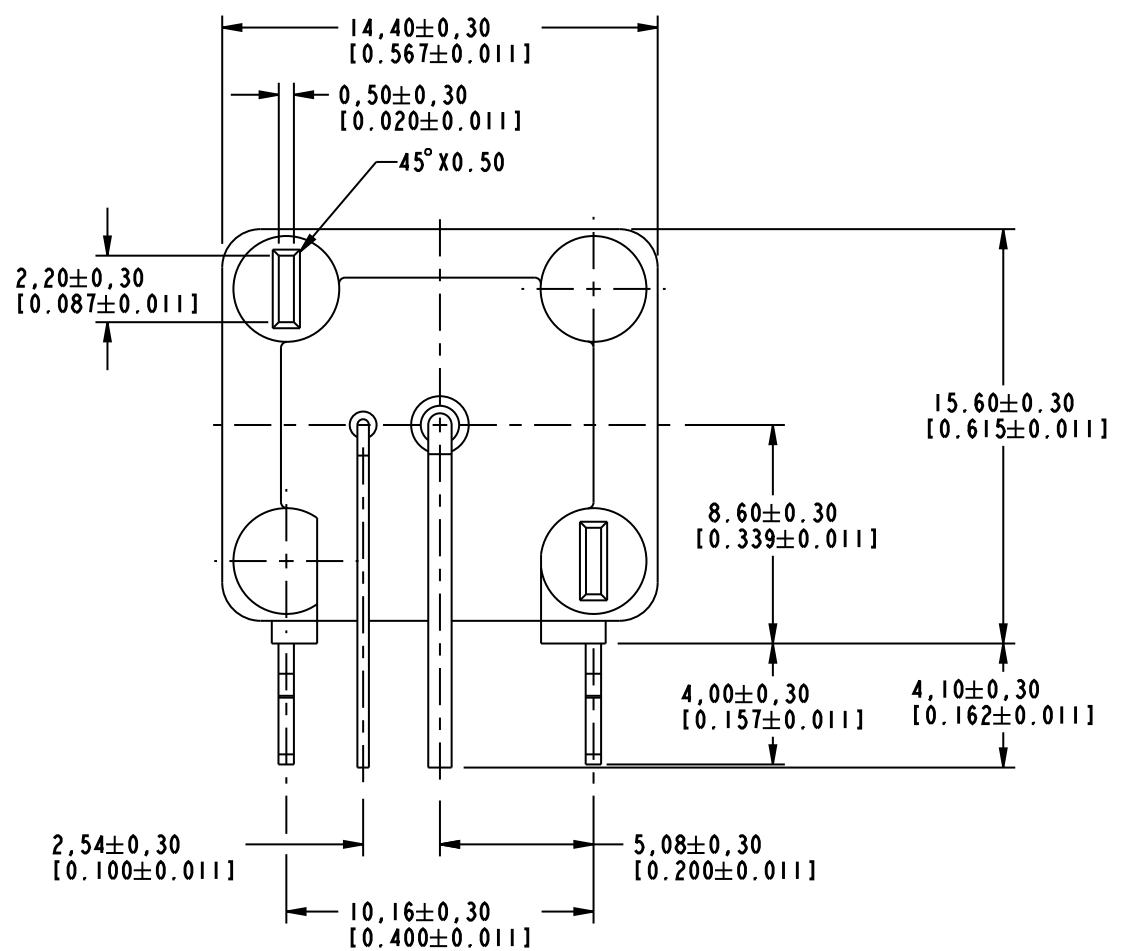
SCALE 3.000  
**RECOMMENDED PCB MOUNTING HOLES DIMENSIONS**



SCALE 3.000  
**RECOMMENDED MOUNTING HOLE DIMENSIONS**



DETAIL A  
SCALE 8.000



NOTE:  
1. MAX. PANEL THICKNESS = 5mm

NO.	DESCRIPTION	MATERIAL	FINISH	QTY
3	CONTACT PIN	PHOS. BRONZE	GOLD	1
2	INSULATOR	P.P.	NATURAL	1
1	BODY	ZINC DIECAST	NICKEL	1

UNLESS OTHERWISE SPECIFIED, DIMENSIONS ARE IN INCHES AND TOLERANCES ARE: 2 PLACE DECIMAL ±.015 (0,381 mm) 3 PLACE DECIMAL ±.005 (0,127 mm) ANGLES ± 1°	MATERIAL	DRAWN BALAJI M	DATE 15-Jan-10	TITLE BNC R/A PCB MOUNT RECEPTACLE JACK	Amphenol Connex
	REFERENCE	ENGINEER BALAJI M	DATE 15-Jan-10		
NOTICE - These drawings, specifications, or other data (1) are, and remain the property of Amphenol Corp. (2) must be returned upon request; and (3) are confidential and not to be disclosed to any person other than those to whom they are given by Amphenol Corp. The furnishing of these drawings, specifications, or other data by Amphenol Corp., or to any other person to anyone for any purpose is not to be regarded by implication or otherwise in any manner licensing, granting rights or permitting such holder or any other person to manufacture, use or sell any product, process or design, patented or otherwise, that may in any way be related to or disclosed by said drawings, specifications, or other data.		APPROVED	DATE		
		CAD FILE Root folder:\BNC\112502	DWG SIZE B	DRAWING NO. 112502	REV C

# Mouser Electronics

Authorized Distributor

Click to View Pricing, Inventory, Delivery & Lifecycle Information:

[Amphenol:](#)

[112502](#)