

NOTES:

1. MATERIAL AND FINISHES:  
 BODY AND CAP - BERYLLIUM COPPER, ALBALOY PLATING  
 CONTACT - BERYLLIUM COPPER, GOLD PLATING  
 INSULATORS - DELRIN & TEFLON  
 FERRULE - COPPER, ALBALOY PLATING

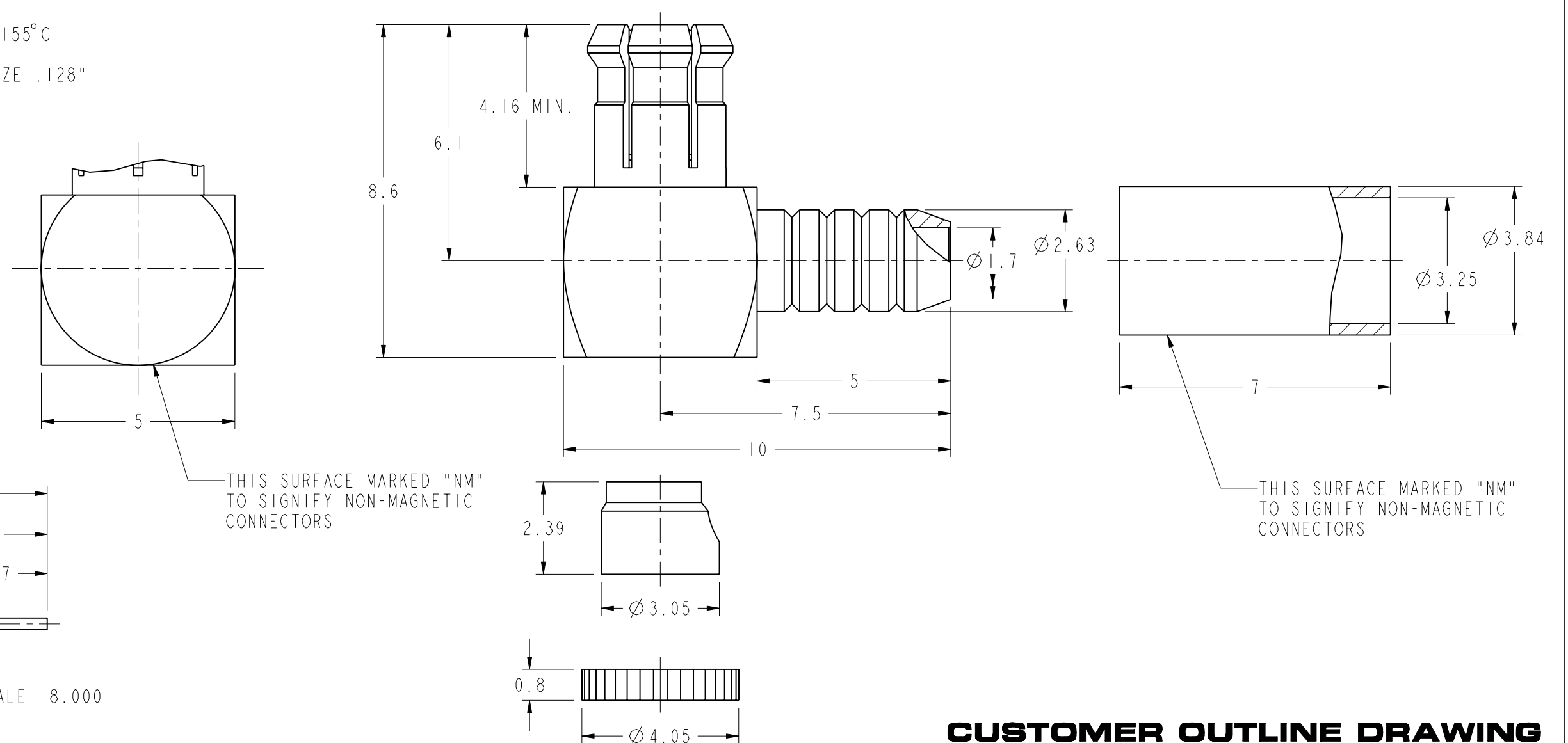
2. ELECTRICAL:  
 A. IMPEDANCE: 50 OHM  
 B. FREQUENCY RANGE: DC 0-6 GHz  
 C. VSWR(RETURN LOSS): 1.5 MAX.  
 D. DIELECTRIC WITHSTAND VOLTAGE: 1000 VRMS, MINS.

3. MECHANICAL:  
 A. DURABILITY: 500 CYCLES MIN.  
 B. TEMPERATURE RANGE: -40°C TO +155°C  
 OTHER:  
 A. CRIMPED FERRULE: HEX CRIMP SIZE .128"  
 B. SOLDER CENTER CONDUCTOR  
 C. INSTALL INSULATOR  
 D. PRESS FIT METAL COVER

THIRD ANGLE PROJ.

REVISIONS

REV	DESCRIPTION	DATE	ECO	APPR
A	RELEASE TO MFG.	10-Jan-07	46108	CW
B	Ø2.63 WAS Ø2.3	27-Aug-10		SL
C	SEE SHEET 1	11-Oct-10	48232	SH



**CUSTOMER OUTLINE DRAWING**  
 ALL OTHER SHEETS ARE FOR INTERNAL USE ONLY

UNLESS OTHERWISE SPECIFIED, DIMENSIONS ARE IN METRIC AND TOLERANCES ARE: <0.5mm ±0.05mm    0.5 - 6mm ±0.1mm    6 - 30mm ±0.2mm    30 - 120mm ±0.3mm    ANGLES ±1°	MATERIAL	DRAWN S.LI	DATE 08-Oct-10	TITLE MCX R/A CRIMP PLUG NON MAGNETIC (FOR RG-174, 188A/U, 316/U) SCALE: 8.0:1.0   SHEET 2 OF 2	Amphenol RF Danbury CT USA, Tainan, Taiwan, Shenzhen, China www.amphenolrf.com
	REFERENCE AND CONFIGURATION LEVEL:	ENGINEER C.WANG	DATE 14-Sep-10		
NOTICE - These drawings, specifications, or other data (1) are, and remain the property of Amphenol corp. (2) must be returned upon request; and (3) are confidential and not to be disclosed to any person other than those to whom they are given by Amphenol Corp. the finishing of these drawings, specifications, or other data by Amphenol Corp., or to any other person to anyone for any purpose is not to be regarded by implication or otherwise in any manner licensing, granting rights to permitting such holder or any other person to manufacture, use or sell any product, process or design, patented or otherwise, that may in any way be related to or disclosed by said drawings, specifications, or other data.	FINISH	APPROVED S.HSIEH	DATE 08-Oct-10	ITEM NO. 919-NMI04P-51A	PART NO. 919-NMI04P-51A
		CAD FILE Root Folder\MCX\919-NMI04P-51A	DWG SIZE B	REV C	

# Mouser Electronics

Authorized Distributor

Click to View Pricing, Inventory, Delivery & Lifecycle Information:

[Amphenol:](#)

[919-NM104P-51A](#)