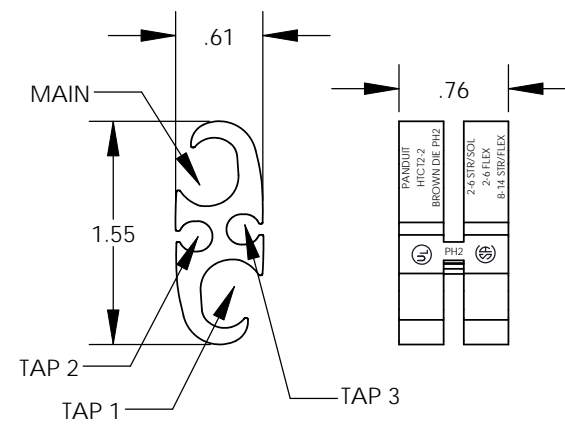
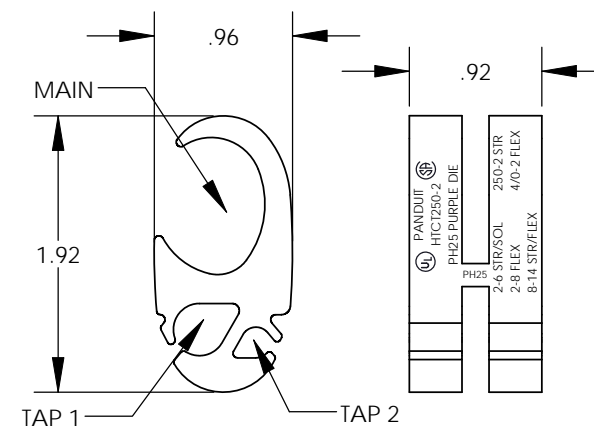


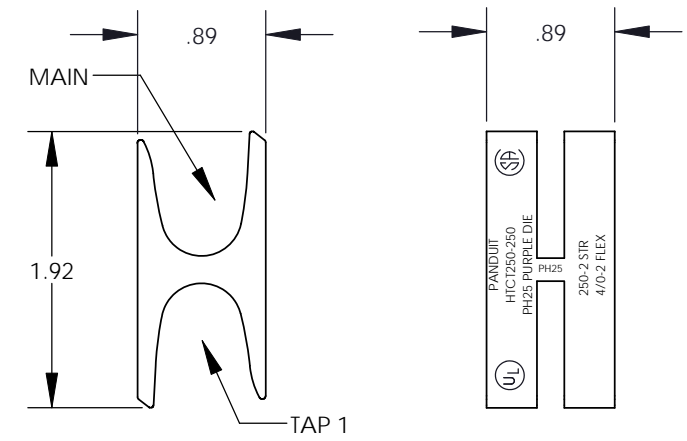
HTCT6X-6X



HTCT2-2



HTCT250-2



HTCT250-250

H-TAP PART NUMBER	H-TAP & CLEAR COVER KIT PART NUMBER	CONDUCTOR SIZES CODE WIRE (FLEX CABLE)				WIRE STRIP LENGTH	CRIMP DIE COLOR CODE	PANDUIT INSTALLATION TOOLS	
		MAIN	TAP 1	TAP 2	TAP 3			CT-930 CT-930CH CT-940CH* CT-2930 CT-2931 CT-2940*	CT-920 CT-920CH CT2920
		MAIN	TAP 1	TAP 2	TAP 3				
HTCT6X-6X-1	HTWC6X-6X-1	6-14 (6-14)	6-14 (6-14)	---	---	11/16"	ORANGE	CD-920H-6 PH6	CD-920H-6 PH6
HTCT2-2-1	HTWC2-2-1	2-6 STR/SOL (2-8)	2-6 STR/SOL (2-8)	8-14 (8-14)	8-14 (8-14)	13/16"	BROWN	CD-920H-2 PH2	CD-920H-2 PH2
HTCT250-2-1	HTWC250-2-1	250-2 (4/0-2)	2-6 STR/SOL (2-8)	8-14 (8-14)	---	1"	PURPLE	CD-930H-250 PH25	---
HTCT250-250-1	HTWC250-250-1	250-2 (4/0-2)	250-2 (4/0-2)	---	---	1"	PURPLE	CD-930H-250 PH25	---

*REQUIRES CD-940-DA ADAPTER

NOTES:

1. MATERIAL: ANNEALED HIGH CONDUCTIVITY COPPER, TIN PLATED
2. FOR USE WITH COPPER OR TIN PLATED COPPER CONDUCTORS ONLY.
3. ACCOMODATES CODE CABLE, SOLID WIRE (WHERE SPECIFIED), FLEX LOCOMOTIVE (DLO), AND FLEX CLASSES G, H, & I
4. ANY SINGLE TAP OR COMBINATION OF TAPS MAY BE USED IN CONJUNCTION WITH MAIN WIRE PORT.
5. UL LISTED AND CSA CERTIFIED FOR APPLICATIONS UP TO 600V. TEMPERATURE RATING 90°C MAX.
6. FLAME RETARDANT CALBE TIES (UL94 V-0 RATED NYLON WITH L.O.I. = 28MIN.) ARE PROVIDED WITH THE TAPS TO RETAIN THE WIRES IN POSITION FOR CRIMPING.
7. TO ORDER H-TAP WITH INSULATING COVERS SEE PART NUMBERS IN TABLE.
8. H-TAPS AND KITS ARE PACKAGED INDIVIDUALLY. (-1 PACKAGING CODE)



								PANDUIT CORP. TINLEY PARK, ILLINOIS			
								H-TAP SERIES COPPER COMPRESSION SMALL TAPS CUSTOMER DRAWING			
								UNLESS OTHERWISE SPECIFIED DIMENSIONAL TOLERANCES ARE: (.X) ±X (.XXX) ±X (.XX) ±.03 ANGLES ±X			
								UNLESS OTHERWISE SPECIFIED, ALL DIMENSIONS ARE GIVEN IN INCHES, THIRD ANGLE PROJECTION			
05	3/11	JHNU	JHNU	REMOVED HTCT8-8 & HTCT6-6, ADDED HTCT6X-6X REVISED WIDTH ON HTCT250-250: .89 WAS .90	N41379BC-C41379	FLD	FLD	DRAWN BY RWK		SCALE NONE	
04	2/09	JHNU	JHNU	CONVERTED DRAWING TO SOLIDWORKS REMOVED HTCT250-8-1 & HTWC250-8-1 FROM DRAWING				DATE 4/03		DRAWING NO / CAD FILE C41379_05	
03	1/05	JHNU	JHNU	ADDED CT-2930 TO THE TABLE				DATE 4/03		DWG B SIZE	
02	11/04	RGB	RGB	ADDED CT-2931 TO THE TABLE	12276			DATE 4/03		DWG B SIZE	
01	5/03	RWK	RLS	REMOVED BLACK COVER KIT NUMBERS	10818			DATE 4/03		DWG B SIZE	
00	4/03	RWK	RLS	DRAWING RELEASED	10794			DATE 4/03		DWG B SIZE	
REV	DATE	BY	CHK	DESCRIPTION	ECN	-R	SUP	CHK'D	RLS		

Mouser Electronics

Authorized Distributor

Click to View Pricing, Inventory, Delivery & Lifecycle Information:

[Panduit:](#)

[HTCT2-2-1](#) [HTCT250-2-1](#) [HTCT250-250-1](#)