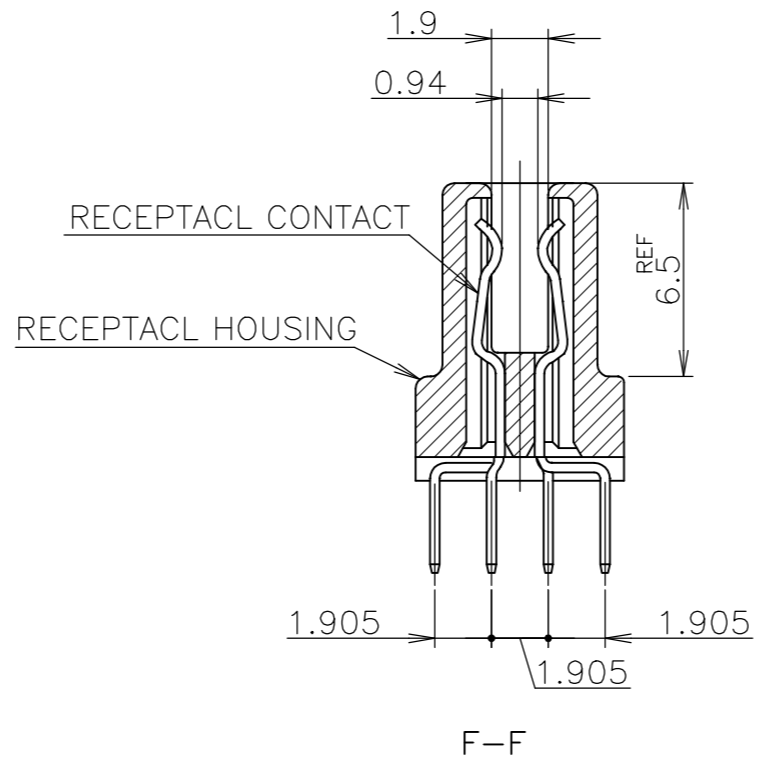
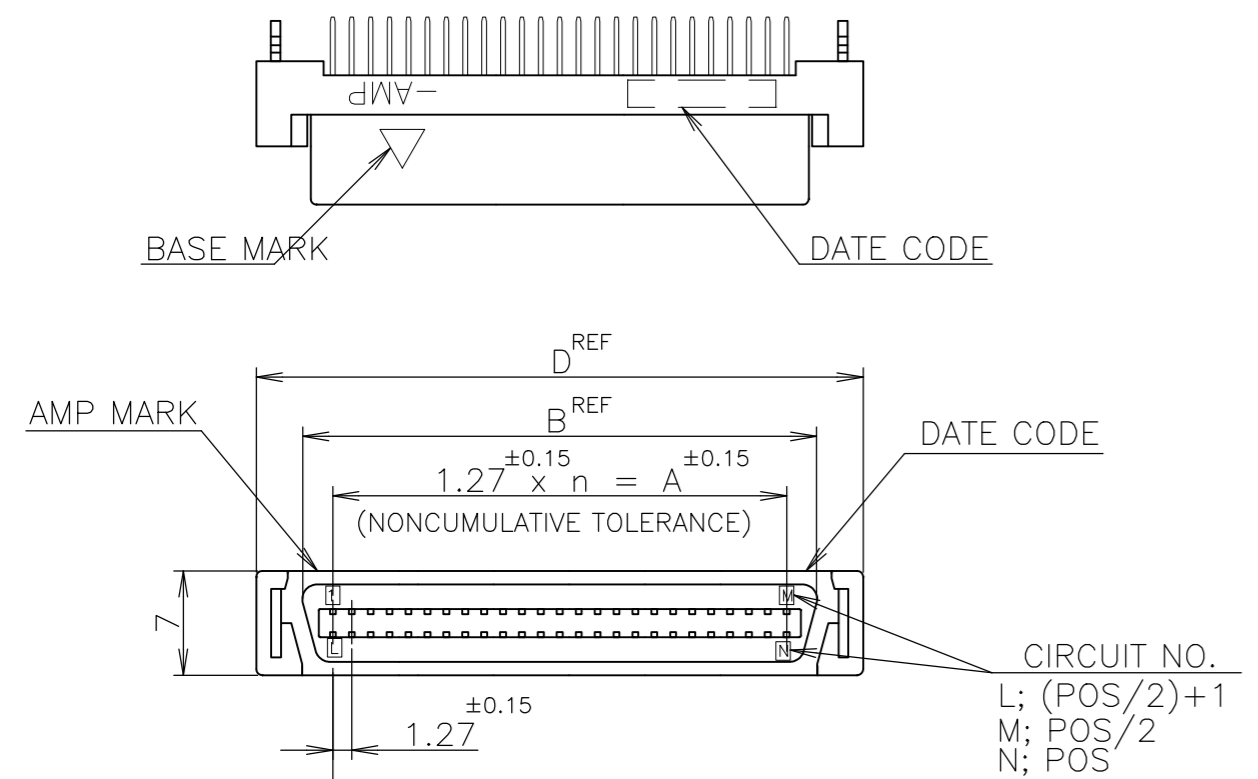
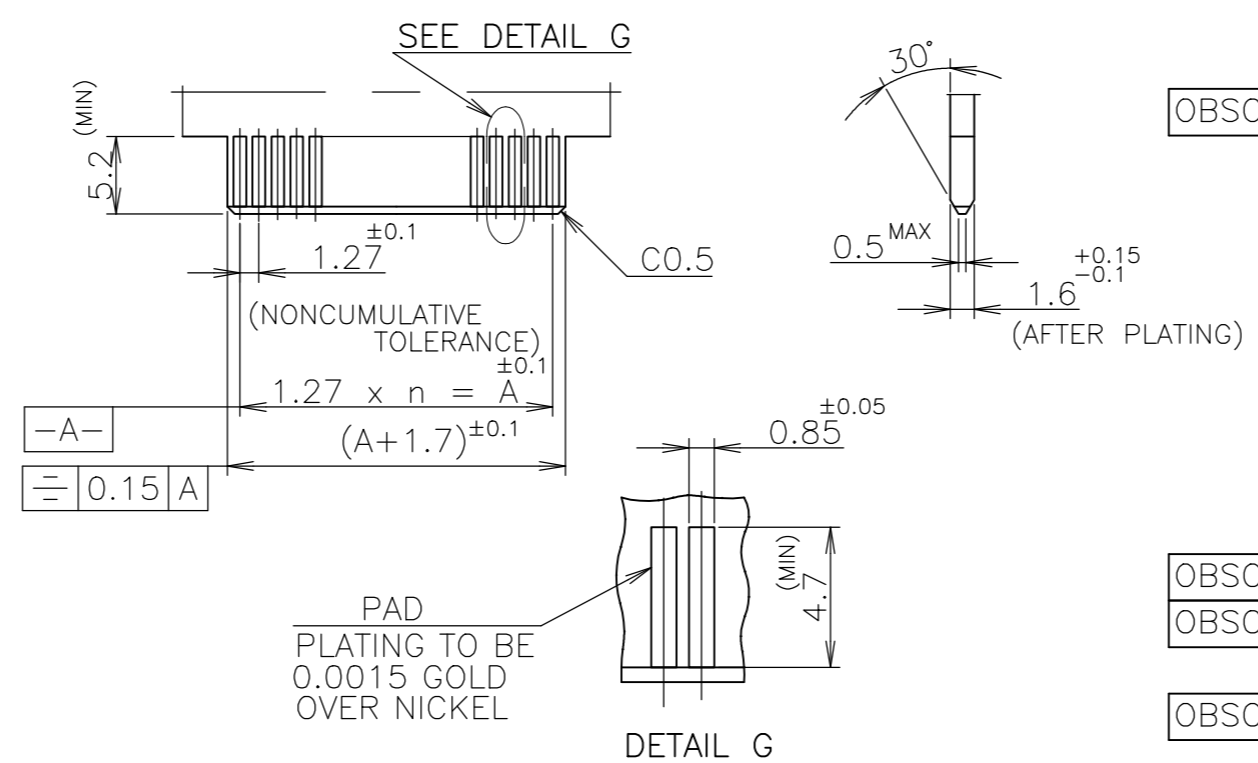
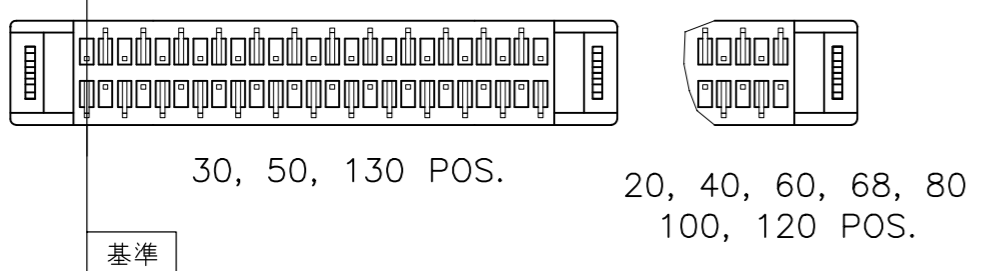
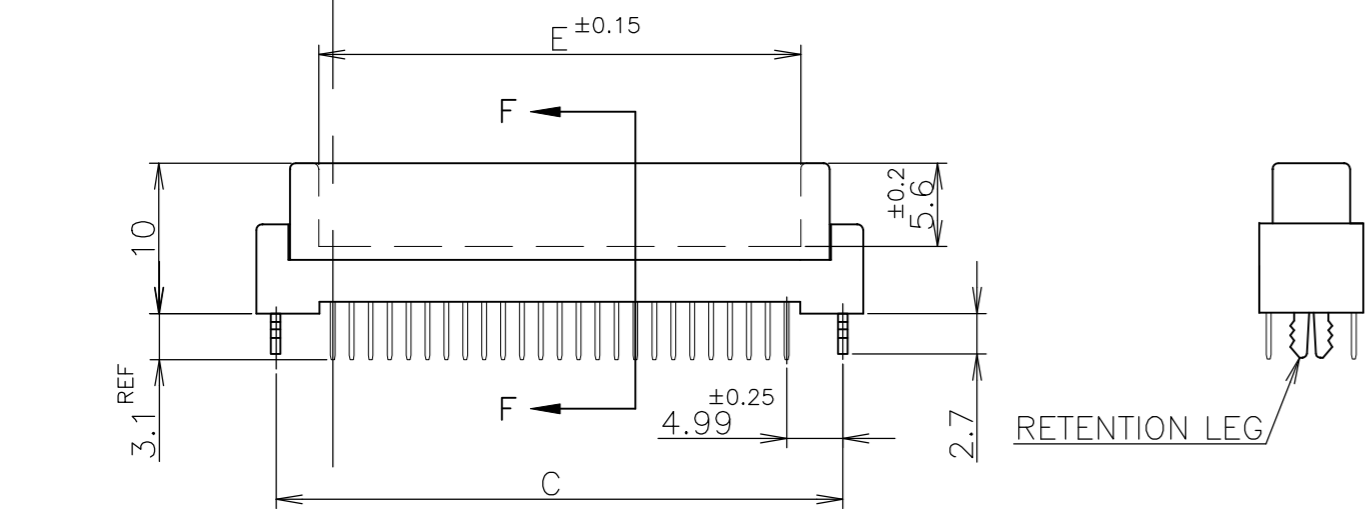


REVISIONS					
P	LTR	DESCRIPTION	DATE	DWN	APVD
C		REVISED PER ECO-17-008763	22JAN2018	RG	SH

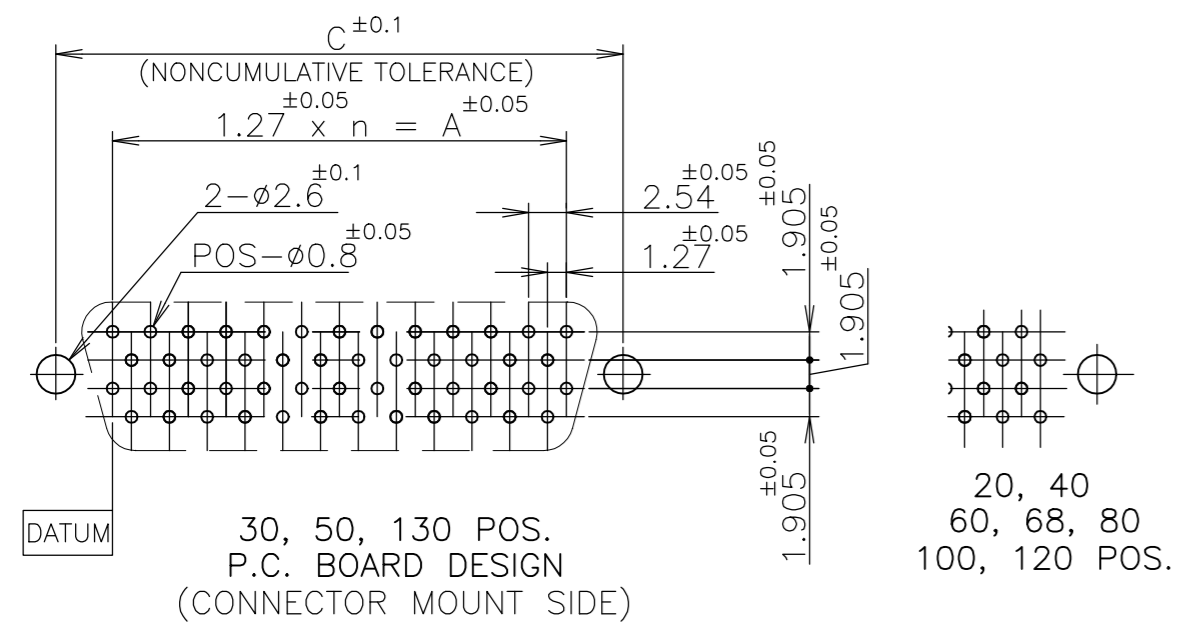


- 1 NUMBER "n" IS COUNTED FROM DATUM (CIRCUIT NO.1 IS "AMP" MARK SIDE.)
- 2 MATERIAL: HOUSING, 66 NYLON (GF) UL 94V-0, BLACK.
: CONTACT, PHOSPHOR BRONZE.
: RETENTION LEG; BRASS.
- 3 FINISH: CONTACT; Au AT CONTACT AREA (SEE TABLE),
TIN AT TINE, OVER Ni.
RETENTION LEG; TIN UNDER Ni.
- 4 P.C. BOARD THK MUST BE 1.6 ±0.15 FOR CARD EDGE CONNECTOR



RECOMMENDED P.C. BOARD DIMENSIONS. Δ

OBsolete	6-	-2		130	64	81.28	86.82	91.25	93.90	83.18
	6-	-1		120	59	74.93	80.47	84.90	87.55	76.83
OBsolete	6-	-0		100	49	62.23	67.77	72.20	74.85	64.13
OBsolete	5-	-9		80	39	49.53	55.07	59.50	62.15	51.43
	5-	-8		68	33	41.91	47.45	51.88	54.53	43.81
	5-	-7		60	29	36.83	42.37	46.80	49.45	38.73
	5-	-6		50	24	30.48	36.02	40.45	43.10	32.38
	5-	-5		40	19	24.13	29.67	34.10	36.75	26.03
	5-	-3		30	14	17.78	23.32	27.75	30.40	19.68
	5-	-1	0.00076	20	9	11.43	16.97	21.40	24.05	13.33
OBsolete	4-	-2		130	64	81.28	86.82	91.25	93.90	83.18
	4-	-1		120	59	74.93	80.47	84.90	87.55	76.83
	4-	-0		100	49	62.23	67.77	72.20	74.85	64.13
	3-	-9		80	39	49.53	55.07	59.50	62.15	51.43
	3-	-8		68	33	41.91	47.45	51.88	54.53	43.81
	3-	-7		60	29	36.83	42.37	46.80	49.45	38.73
	3-	-6		50	24	30.48	36.02	40.45	43.10	32.38
	3-	-5		40	19	24.13	29.67	34.10	36.75	26.03
	3-	-3		30	14	17.78	23.32	27.75	30.40	19.68
	3-	-1	0.0005	20	9	11.43	16.97	21.40	24.05	13.33
OBsolete	1-	-2		130	64	81.28	86.82	91.25	93.90	83.18
OBsolete	1-	-1		120	59	74.93	80.47	84.90	87.55	76.83
	1-	-0		100	49	62.23	67.77	72.20	74.85	64.13
OBsolete		-9		80	39	49.53	55.07	59.50	62.15	51.43
		-8		68	33	41.91	47.45	51.88	54.53	43.81
		-7		60	29	36.83	42.37	46.80	49.45	38.73
		-6		50	24	30.48	36.02	40.45	43.10	32.38
		-5		40	19	24.13	29.67	34.10	36.75	26.03
		-3		30	14	17.78	23.32	27.75	30.40	19.68
		-1	0.0002	20	9	11.43	16.97	21.40	24.05	13.33
	PART NO.	Au PLATE	POS.	n	A	B	C	D	E	



THIS DRAWING IS A CONTROLLED DOCUMENT.

DIMENSIONS: mm

TOLERANCES UNLESS OTHERWISE SPECIFIED:

0 PLC	±
1 PLC	±
2 PLC	±
3 PLC	±
4 PLC	±
ANGLES	±

MATERIAL Δ FINISH Δ

GENERAL TOLERANCE
10 ≥ : ±0.2
30 > 10: ±0.25
100 ≥ > 30: ±0.3
ANGLES: ±3'

DWN: Jylyee Zhu 20AUG2004
CHK: Steven Yao 20AUG2004
APVD: Ikuo Enomoto 20AUG2004

NAME: Ikuo Enomoto
PRODUCT SPEC: 108-60038
APPLICATION SPEC

WEIGHT: 0.000000

CUSTOMER DRAWING

SCALE: NTS SHEET: 1 of 1 REV: C

5175475-1 0.0002

5175475

STE TE Connectivity Ltd.

AMP CHAMP .050 CONNECTOR(B-T-B)
RECEPTACLE CONNECTOR
VERTICAL WITH RETENTION LEG

LEAD FREE

Mouser Electronics

Authorized Distributor

Click to View Pricing, Inventory, Delivery & Lifecycle Information:

[TE Connectivity:](#)

[5-5175475-8](#)