



Mallory Sonalert Products, Inc.

Part #:

SC110DR

Sales Outline Drawing

Revision:

F

Specifications:

Sound Level Category	Medium
Mode of Operation	Continuous
Voltage Rating	30 to 120 VAC/DC
Frequency	2000 ± 500 Hz
Loudness @ 2 FT	68 to 80 dB(A) Typ.
Loudness @ Min V	60 dB(A) @ 2 Feet and 30 Vac/dc
Loudness @ Max V	75 dB(A) @ 2 Feet and 120 Vac/dc
Current Draw	6-21mA
Housing Material	6/6 Nylon, Color: Black
Storage Temperature	-40° to +85° C
Operating Temperature	-30° to +65° C
Panel Mounting	Recommended hole size is 1.25"(31.75mm). Thread front will fit standard 30mm(1.181") hole.
Knurled Nut	Used to attach part to panel. The max recommended torque is 10 in-lbs.
Weight (Typical)	1.6 oz (45g)
NEMA 3R,4X, & 12	Approved with use of ACC03.
Options	Please contact factory.

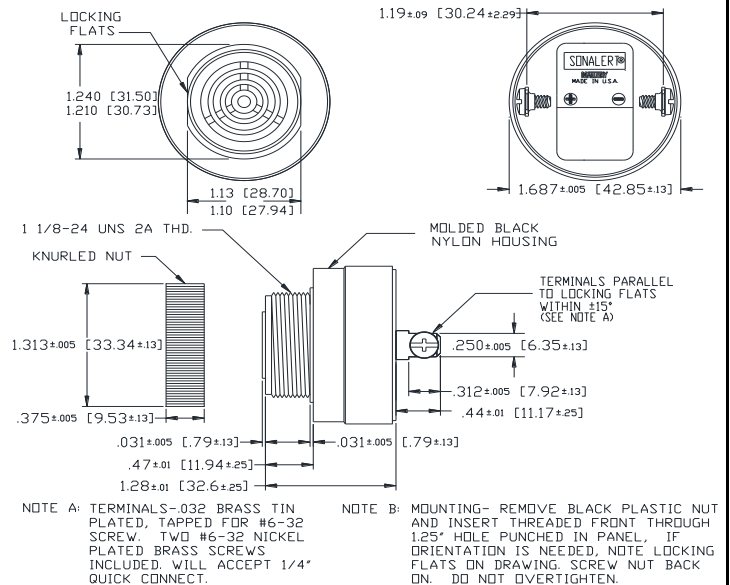
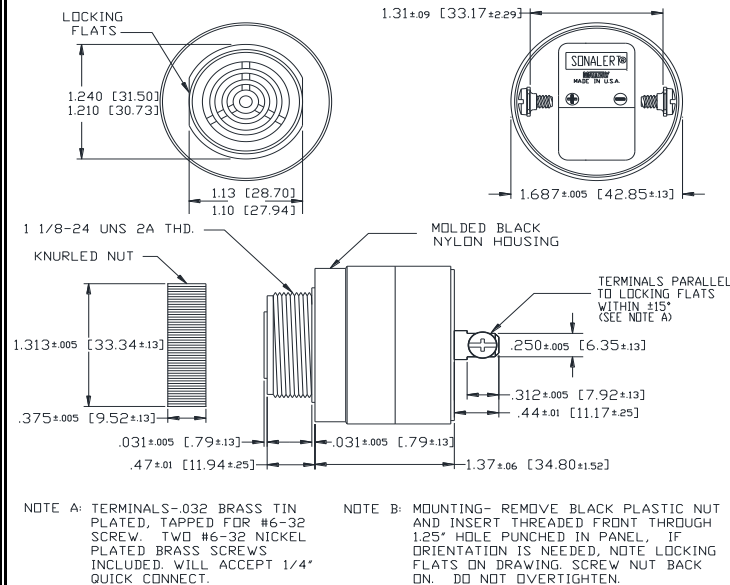
Dimensions: Inches (mm)

cUL Recognized

ROHS Compliant

PART DIMENSIONS BEFORE CODE DATE: 0824 5

PART DIMENSIONS AFTER CODE DATE: 0825 1



Mouser Electronics

Authorized Distributor

Click to View Pricing, Inventory, Delivery & Lifecycle Information:

[Mallory Sonalert:](#)

[SC110DR](#)