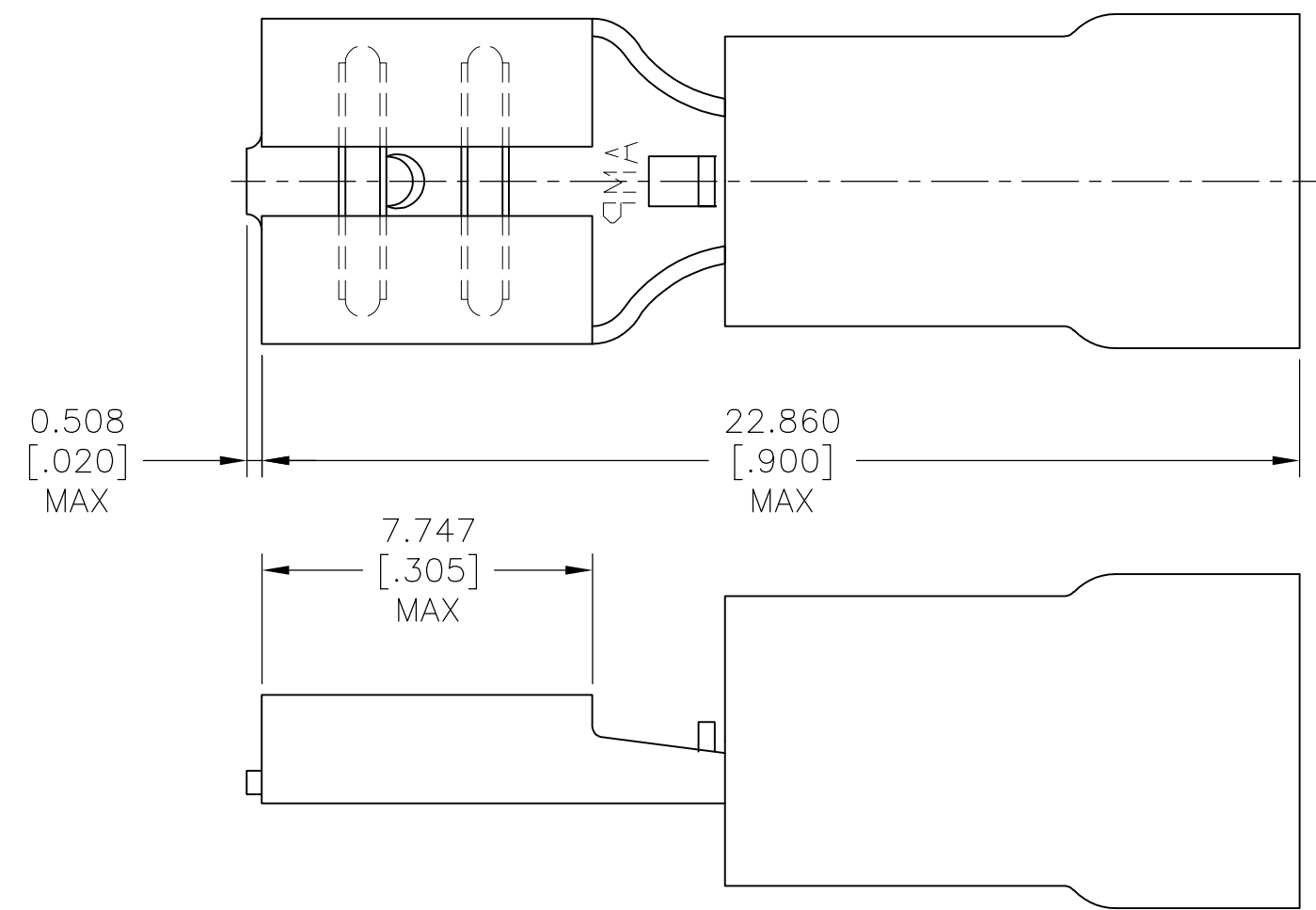


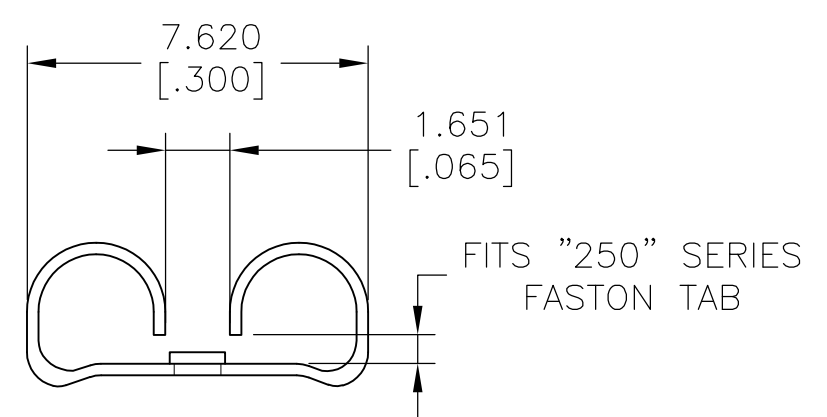
THIS DRAWING IS UNPUBLISHED. RELEASED FOR PUBLICATION
 © COPYRIGHT - By - ALL RIGHTS RESERVED.

REVISIONS					
P	LTR	DESCRIPTION	DATE	DWN	APVD
	N2	REVISED PER ECO-11-004587	11MAR11	RK	HMR
	N3	REVISED PER ECR-17-002552	03MAR2017	RS	MZ



AMP WIRE RANGE	FILE E66717	LR7189 Certified
16-14 AWG STRANDED	16-14 AWG STRANDED	16-14 AWG STRANDED

- 1 INSULATION DIA $\phi 4.318[\phi.170]$ MAX.
- 2 FITS TAB $0.812[.032]$ THK.
- 3 NOTE DELETED.
- 4 MATERIAL: BODY, BRASS PER ASTM B36, $0.457\pm 0.050[.018\pm.002]$
SLEEVE: COPPER PER ASTM B152, INSULATION: NYLON PER ASTM D4066.
- 5 FINISH: BODY & SLEEVE: TIN PLATE $0.00254[.000100]$ MIN. EXT. THK. PER ASTM B545.



100	LOOSE PC,BOX	8-640905-1
3500	TAPE MOUNTED	640905-2
1000	LOOSE PIECE	640905-1
QTY	PACKAGE TYPE	PART NO

AMP INCORPORATED CUSTOMER SERVICE SYSTEMS	
FOR ADDITIONAL PRODUCT INFORMATION OR COPIES OF DRAWINGS AND TECHNICAL DOCUMENTS	PRODUCT INFORMATION CENTER 1-800-522-6752
FOR APPLICATION TOOLING INFORMATION	TOOLING ASSISTANCE CENTER 1-800-722-1111
FOR ORDER ENTRY	1-800-526-5142

MAX RECOMMENDED OPERATING TEMPERATURE: 105°C [221°F]
VOLTAGE RATING: 300V MAX
CIRCULAR MIL AREA: $1.04-2.62\text{mm}^2 [2,050-5,180]$ STRANDED

THIS DRAWING IS A CONTROLLED DOCUMENT.	
DIMENSIONS: mm [INCHES]	TOLERANCES UNLESS OTHERWISE SPECIFIED:
	0 PLC ± -
	1 PLC ± -
	2 PLC ± -
	3 PLC ± 0.127[.005]
	4 PLC ± -
	ANGLES ± -
MATERIAL	FINISH
4	5

DWN	L OLMEDA	26JUN95
CHK	M ELLIS	26JUN95
APVD	B BARE	26JUN95
PRODUCT SPEC	UL 310	
APPLICATION SPEC	114-1002	
WEIGHT	-	
CUSTOMER DRAWING		

TE Connectivity			
NAME RECEPTACLE, 250 SERIES, FASTON , PIDG , 16-14 AWG.			
SIZE	CAGE CODE	DRAWING NO	RESTRICTED TO
A3	00779	C-640905	-
SCALE 6:1		SHEET 1 OF 1	REV N3

Mouser Electronics

Authorized Distributor

Click to View Pricing, Inventory, Delivery & Lifecycle Information:

[TE Connectivity:](#)

[640905-2](#) [640905-2 \(MOUSER REEL\)](#) [640905-2 \(CUT STRIP\)](#)