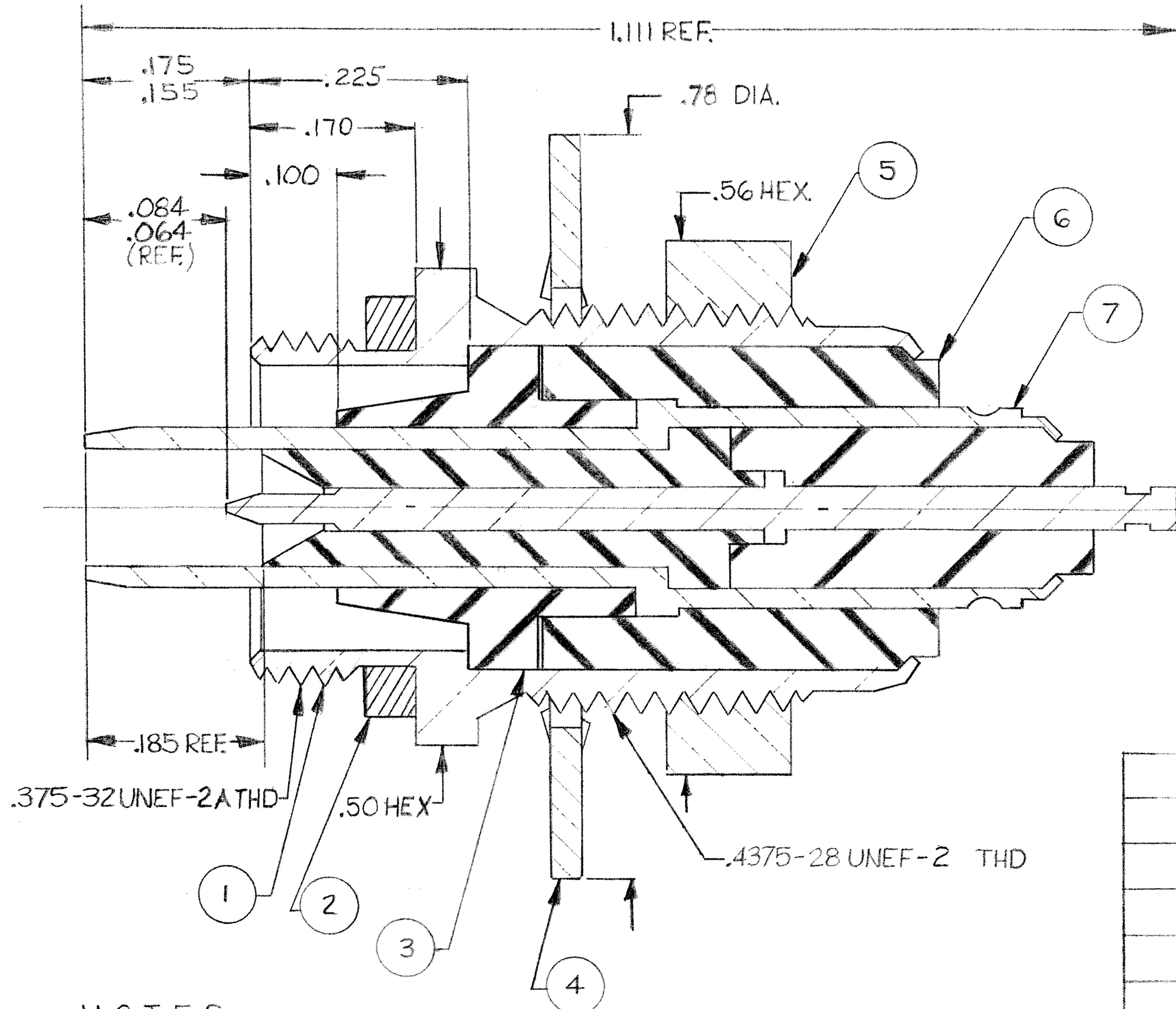


REVISIONS					
ZONE	LTR	DESCRIPTION	DATE	ENG	APPROVED
	F1	UPDATE PER ECO-11-019471	9/23/11	PJS	MKS



NOTES

- THIS CONNECTOR MATES WITH ALL TRIAX PLUGS AS LISTED IN MALCO CATALOG.
- ALL METALLIC PARTS ARE SILVER PLATED PER ASTM B700 EXCEPT CONTACT PIN IS GOLD PLATED PER MIL-DTL-45204

1	9-1532068-1	005-3947-0001	SUB-ASSY, INNER HOUSING	7
1	7-1532053-6	000-0301-0047	INSULATOR, TEFLON	6
1	1532066-5	005-0370-0001	HEX NUT, BRASS	5
1	1532066-7	005-0371-0001	LOCK WASHER	4
1	7-1532053-5	000-0301-0046	INSULATOR, TEFLON	3
1	1532066-2	005-0324-0001	GASKET, NEOPRENE	2
1	1532066-1	005-0323-0001	HOUSING, BRASS	1
QTY.	TE PART NUMBER	MICRODOT PART NUMBER	DESCRIPTION	ITEM NO.

PARTS LIST

UNLESS OTHERWISE SPECIFIED DIMENSIONS ARE IN INCHES TOLERANCES ARE: FRACTIONS DECIMALS ANGLES ± .XX ± .01 ± 2° ± .XXX ± .005		CONTRACT NO.		TE TE Connectivity	PROD. CODE 934 CODE CD/M
MATERIAL		APPROVALS	DATE		
FINISH		DRAWN D. HOOPER	5-3-77	TRIAX RECEPTACLE 051-0618-0001 & 051-0618-0003	
NEXT ASSY		CHECKED CHUCK HARTRICK	5-3-77		
USED ON		PR. ENG. TRM	5-3-77	DRAWING NO. 1466302	
APPLICATION		APPROVED		SIZE B	CODE IDENT NO. 98278
DO NOT SCALE DRAWING		These drawings and specifications are the property of Microdot Inc., are issued in strict confidence and shall not be divulged, be reproduced or copied, or used as the basis for the manufacture or sale of any article without written permission of Microdot Inc.		SCALE NONE	SHEET 1 OF 1

Mouser Electronics

Authorized Distributor

Click to View Pricing, Inventory, Delivery & Lifecycle Information:

[TE Connectivity:](#)

[051-0618-0001](#)