



Lattice**CORE**

## **LatticeECP3™ and ECP5™ XAUI IP Core User Guide**

---

IPUG115 Version 1.0, April 2015

<b>Chapter 1. Introduction .....</b>	<b>4</b>
Quick Facts .....	4
Features .....	4
<b>Chapter 2. Functional Description .....</b>	<b>6</b>
XAUI IP Core I/O .....	9
Functional Description .....	10
XGMII and Slip Buffers .....	14
XAUI-to-XGMII Translation (Receive Interface) .....	15
XGMII-to-XAUI Translation (Transmit Interface) .....	16
Management Data Input/Output (MDIO) Interface (Optional) .....	18
Management Frame Structure .....	19
Register Descriptions .....	20
Input/Output Timing .....	22
XGMII Specifications .....	22
XAUI Specifications .....	24
MDIO Specifications .....	24
XAUI IP Configuration Dialog Box .....	25
Parameter Descriptions .....	25
Tx Slip Buffer .....	25
Rx Slip Buffer .....	25
MDIO .....	25
<b>Chapter 3. Parameter Settings .....</b>	<b>25</b>
Licensing the IP Core .....	26
IPexpress IP Generation Flow .....	26
Getting Started .....	26
<b>Chapter 4. IP Core Generation .....</b>	<b>26</b>
IPexpress-Created Files and Top Level Directory Structure .....	28
Instantiating the Core .....	30
Running Functional Simulation .....	30
Synthesizing and Implementing the Core in a Top-Level Design .....	31
Clarity Designer IP Generation Flow .....	32
Getting Started .....	32
Configuring and Placing the IP Core .....	34
Generating the IP Core .....	36
Clarity Designer-Created Files and Top Level Directory Structure .....	37
Instantiating the Core .....	38
Running Functional Simulation .....	39
Synthesizing and Implementing the Core in a Top-Level Design .....	39
Hardware Evaluation .....	40
Enabling Hardware Evaluation in Diamond .....	40
Updating/Regenerating the IP Core .....	40
Regenerating an IP Core in Diamond .....	40
Regenerating an IP Core using Clarity Designer .....	41
Lattice Technical Support .....	42
References .....	42
LatticeECP3 .....	42
ECP5 .....	42
Revision History .....	42

---

<b>Chapter 5. Support Resources .....</b>	<b>42</b>
LatticeECP3 FPGAs.....	43
Ordering Part Number.....	43
ECP5 FPGAs .....	43
Ordering Part Number.....	43
<b>Chapter 6. Resource Utilization.....</b>	<b>43</b>

The 10Gb Ethernet Attachment Unit Interface (XAUI) IP Core User's Guide for the LatticeECP3™ and ECP5™ FPGAs provides a solution for bridging between XAUI and 10-Gigabit Media Independent Interface (XGMII) devices. This IP core implements 10Gb Ethernet Extended Sublayer (XGXS) capabilities in soft logic that together with PCS and SERDES functions implemented in the FPGA provides a complete XAUI-to-XGMII solution.

The XAUI IP core package comes with the following documentation and files:

- Protected netlist/database
- Behavioral RTL simulation model
- Source files for instantiating and evaluating the core

The XAUI IP core supports Lattice's IP hardware evaluation capability, which makes it possible to create versions of the IP core that operate in hardware for a limited period of time (approximately four hours) without requiring the purchase on an IP license. It may also be used to evaluate the core in hardware in user-defined designs. Details for using the hardware evaluation capability are described in the Hardware Evaluation section of this document.

## Quick Facts

Table 1-1 gives quick facts about the XAUI IP core.

**Table 1-1. XAUI IP Core Quick Facts**

		XAUI IP Configuration	
		Across All IP configurations	
<b>Core Requirements</b>	FPGA Families Supported	Lattice ECP3, ECP5 (LFE5UM-45F and LFE5UM-85F)	
	Minimal Device Supported	LFE3-17EA-7FTN256C	LFE5UM-45F-7BG381C
<b>Resource Utilization</b>	Data Path Width	72 bits	72 bits
	LUTs	2000-2700	2200-3100
	sysMEM EBRs	0-4	0-4
	Registers	1400-3100	1600-3300
<b>Design Tool Support</b>	Lattice Implementation	Diamond® 3.3	
	Synthesis	Synopsys® Synplify™ Pro for Lattice F-2014.03L-SP1 beta	
		Lattice Synthesis Engine™ (For ECP5 only)	
	Simulation	Aldec® Active-HDL™ 9.1 Lattice Edition	
Mentor Graphics ModelSim™ SE 10.0			

## Features

- XAUI compliant functionality supported by embedded SERDES PCS functionality implemented in the LatticeECP3 and ECP5, including four channels of 3.125 Gbps serializer/deserializer with 8b10b encoding/decoding.
- Complete 10Gb Ethernet Extended Sublayer (XGXS) solution based on LatticeECP3 and ECP5 FPGA.
- Soft IP targeted to the FPGA implements XGXS functionality conforming to IEEE 802.3-2005, including:
  - 10 GbE Media Independent Interface (XGMII).
  - Optional slip buffers for clock domain transfer to/from the XGMII interface.
  - Complete translation between XGMII and XAUI PCS layers, including 8b10b encoding and decoding of Idle,

- Start, Terminate, Error and Sequence code groups and sequences, and randomized Idle generation in the XAUI transmit direction.
  - XAUI compliant lane-by-lane synchronization.
  - Lane deskew functionality.
  - Interface with the high-speed SERDES block embedded in the LatticeECP3 and ECP5 that implements a standard XAUI.
  - Optional standard compliant MDIO/MDC interface.
- Aldec and ModelSim simulation models and test benches provided for free evaluation.

# Functional Description

XAUI is a high-speed interconnect that offers reduced pin count and has the ability to drive up to 20 inches of PCB trace on standard FR-4 material. Each XAUI comprises four self-timed 8b10b encoded serial lanes each operating at 3.125 Gbps and thus is capable of transferring data at an aggregate rate of 10 Gbps.

XGMII is a 156 MHz Double Data Rate (DDR), parallel, short-reach interconnect interface (typically less than 2 inches). It supports interfacing to 10 Gbps Ethernet Media Access Control (MAC) and PHY devices.

The locations of XAUI and XGXS in the 10GbE protocol stack are shown in Figure 2-1. A simplified block diagram of the XAUI solution is shown in Figure 2-2. The XGMII interface, XGXS coding and state machines and XAUI multichannel alignment capabilities are implemented in the FPGA array. The XAUI 8b10b coding and SERDES functionality are supported by the embedded SERDES\_PCS block. An optional MDIO interface module is also implemented in the FPGA array.

Figure 2-3 shows the I/O interface view of the XAUI IP core.

**Figure 2-1. XAUI and XGXS Locations in 10 GbE Protocol Stack**

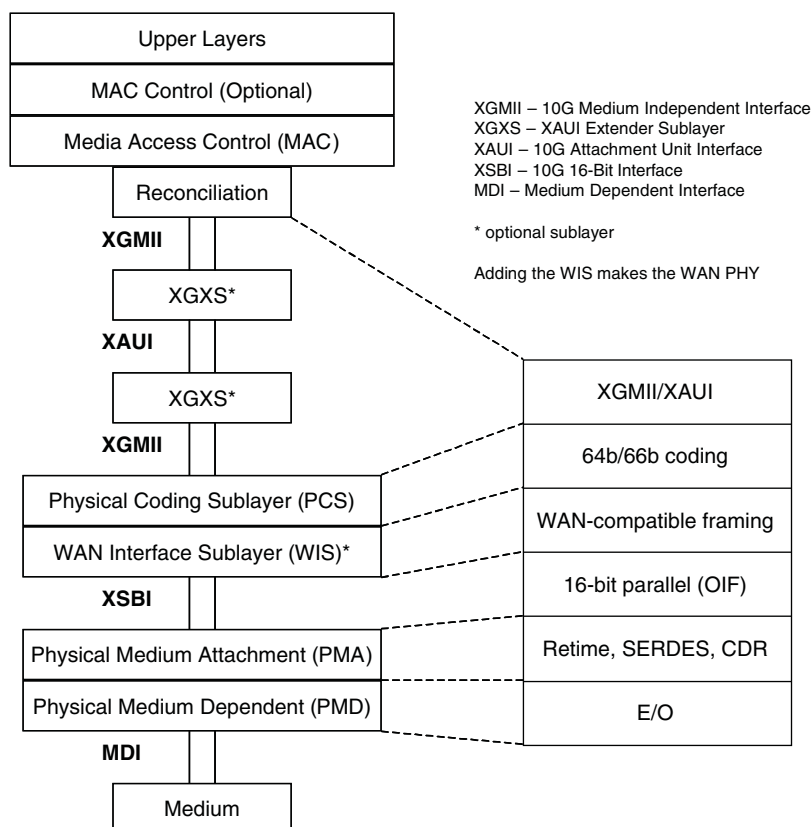


Figure 2-2. XAUI Solution Simplified Block Diagram

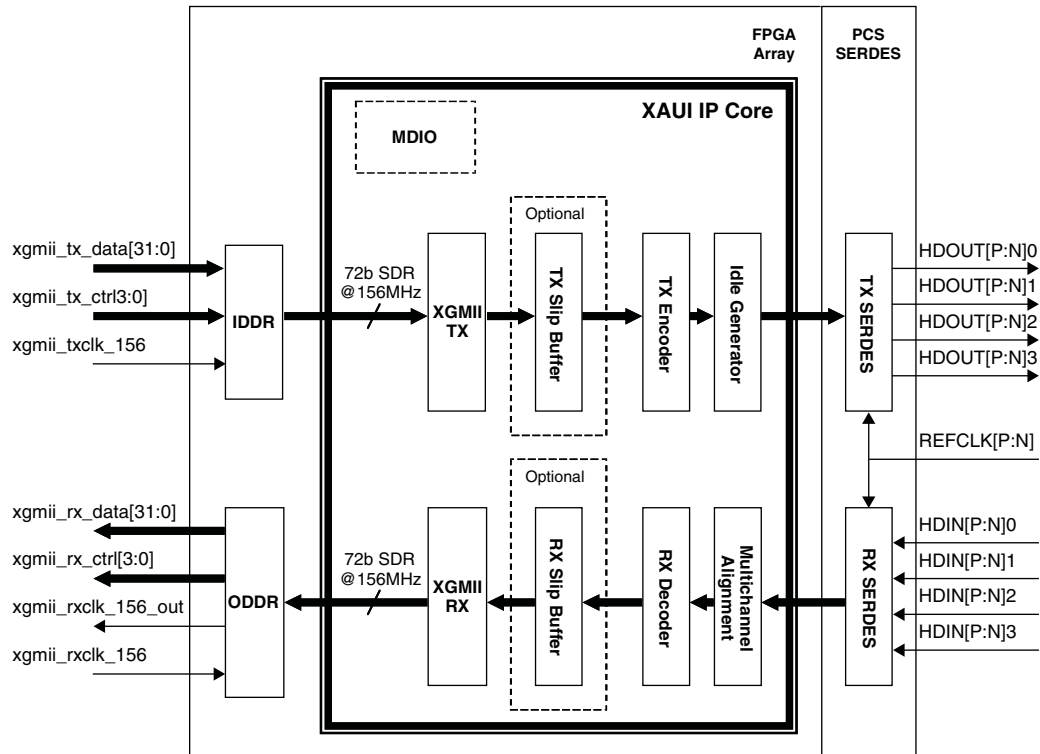
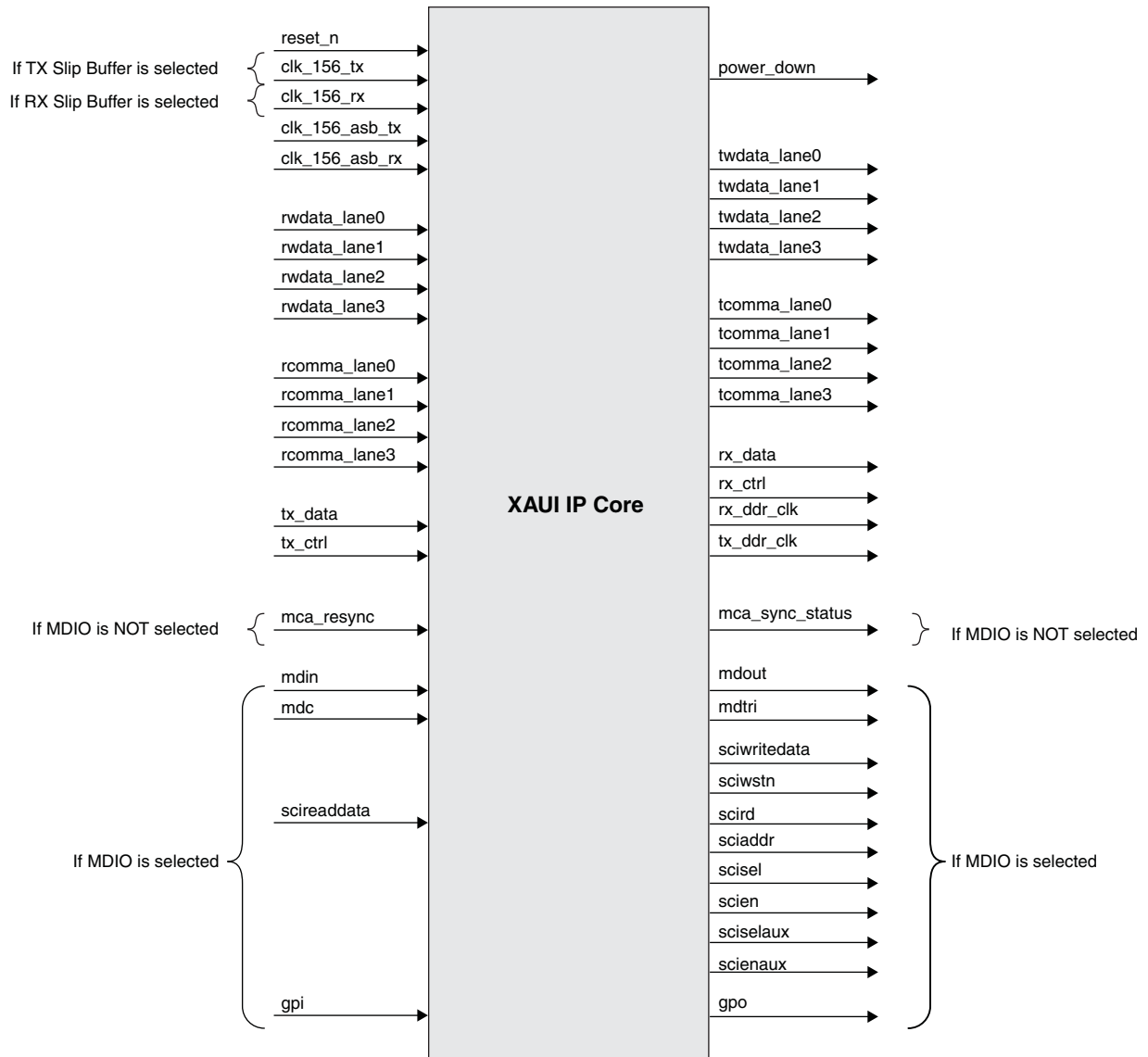


Figure 2-3. XAUI IP Core I/O





## XAUI IP Core I/O

Table 2-1 defines all I/O interface ports available in this core.

**Table 2-1. IP Core I/O and Signal Definitions**

Name	Width (Bits)	Direction	Description
<b>All Configurations</b>			
reset_n	1	I	Active-low asynchronous reset
clk_156_asb_tx	1	I	156MHz XAUI transmit clock (from PCS)
clk_156_asb_rx	1	I	156MHz XAUI receive clock (from PCS)
rwdata_lane0	16	I	XAUI receive data channel 0 (from PCS)
rwdata_lane1	16	I	XAUI receive data channel 1 (from PCS)
rwdata_lane2	16	I	XAUI receive data channel 2 (from PCS)
rwdata_lane3	16	I	XAUI receive data channel 3 (from PCS)
rcomma_lane0	2	I	XAUI receive control channel 0 (from PCS)
rcomma_lane1	2	I	XAUI receive control channel 1 (from PCS)
rcomma_lane2	2	I	XAUI receive control channel 2 (from PCS)
rcomma_lane3	2	I	XAUI receive control channel 3 (from PCS)
twdata_lane0	16	O	XAUI transmit data channel 0 (to PCS)
twdata_lane1	16	O	XAUI transmit data channel 1 (to PCS)
twdata_lane2	16	O	XAUI transmit data channel 2 (to PCS)
twdata_lane3	16	O	XAUI transmit data channel 3 (to PCS)
tcomma_lane0	2	O	XAUI transmit control channel 0 (to PCS)
tcomma_lane1	2	O	XAUI transmit control channel 1 (to PCS)
tcomma_lane2	2	O	XAUI transmit control channel 2 (to PCS)
tcomma_lane3	2	O	XAUI transmit control channel 3 (to PCS)
rx_ddr_clk	1	O	DDR clock from IP Core to the XGMII TX direction
tx_ddr_clk	1	O	DDR clock from IP Core to the XGMII receive direction
tx_data	64	I	IP Core transmit data from XGMII RX
tx_ctrl	8	I	IP Core transmit control from XGMII RX
rx_data	64	O	Receive data from core and sent to XGMII TX
rx_ctrl	8	O	Receive control from core and sent to XGMII TX
<b>With Optional Rx Slip Buffer</b>			
clk_156_rx	1	I	156MHz XGMII TX clock
rx_fifo_empty	1	O	Rx slip buffer FIFO empty flag
rx_fifo_full	1	O	Rx slip buffer FIFO full flag
<b>With Optional Tx Slip Buffer</b>			
clk_156_tx	1	I	156MHz XGMII RX clock
tx_fifo_empty	1	O	Tx slip buffer FIFO empty flag
tx_fifo_full	1	O	Tx slip buffer FIFO full flag
<b>No MDIO Option</b>			
mca_resync	1	I	XAUI multi-channel alignment resynchronization request
mca_auto_resync	1	I	XAUI multi-channel alignment auto resynchronization request
mca_sync_status	1	O	XAUI multi-channel alignment status. 1 = All XAUI channels are aligned 0 = XAUI channels are not aligned
<b>MDIO Option</b>			
mdin	1	I	MDIO serial input data

**Table 2-1. IP Core I/O and Signal Definitions (Continued)**

Name	Width (Bits)	Direction	Description
mdc	1	I	MDIO input clock
mdout	1	O	MDIO serial output data
mdtri	1	O	Tristate control for MDIO port
sci_sel_ch	4	O	SCI channel select (Common for ECP3 and ECP5)
sci_addr	6	O	SCI address bus (Common for ECP3 and ECP5)
sci_wrdata	8	O	SCI write data (Common for ECP3 and ECP5)
sci_rddata	8	I	SCI read data (For ECP3 only)
sci_wrn	1	O	SCI write strobe (For ECP3 only)
sci_rd	1	O	SCI read probe (For ECP3 only)
sci_sel_quad	1	O	SCI quad select (For ECP3 only)
sci_rddata_dual0	8	I	SCI read data from Dual 0 (For ECP5 only)
sci_rddata_dual1	8	I	SCI read data from Dual 1 (For ECP5 only)
sci_wrn_dual0	1	O	SCI write strobe for Dual 0 (For ECP5 only)
sci_wrn_dual1	1	O	SCI write strobe for Dual 1 (For ECP5 only)
sci_rd_dual0	1	O	SCI read strobe for Dual 0 (For ECP5 only)
sci_rd_dual1	1	O	SCI read strobe for Dual 1 (For ECP5 only)
sci_sel_dual0	1	O	SCI select for Dual 0 (For ECP5 only)
sci_sel_dual1	1	O	SCI select for Dual 1 (For ECP5 only)
sci_en_dual0	1	O	SCI enable for Dual 0 (For ECP5 only)
sci_en_dual1	1	O	SCI enable for Dual 1 (For ECP5 only)
sci_en_ch	4	O	SCI channel enable (For ECP5 only)
gpi	4	I	General purpose input
gpo	4	O	General purpose output
power_down	1	O	Power Down output to the PCS (Not Supported)

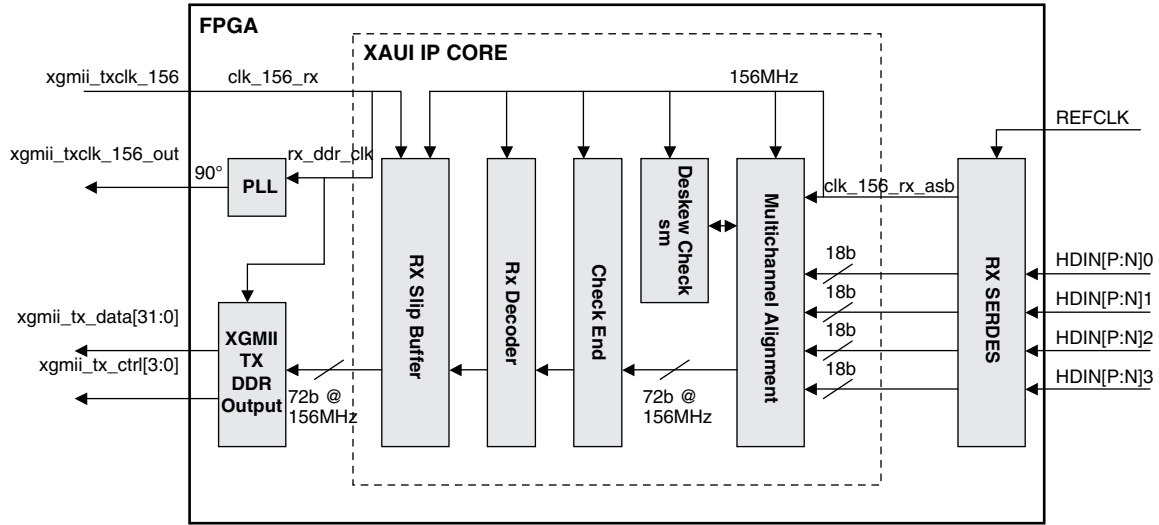
## Functional Description

The XAUI receive path, shown in Figure 2-4, is the data path from the XAUI to the XGMII interface. In the receive direction, 8b10b encoded data received at the XAUI SERDES interface is demultiplexed and passed to the multi-channel alignment block, that compensates for lane-to-lane skew between the four SERDES channels as specified in 802.3-2005. The aligned data streams are passed to decoder logic, where it is translated and mapped to the XGMII data format. The output of the encoder is then passed through an optional slip buffer that compensates for XAUI and XGMII timing differences and then to the XGMII 36-bit (32-bit data and four control bits) 156 MHz DDR external interface.

The receive direction data translations are shown in Figure 2-5. The 8b10b symbols on each XAUI lane are converted to XGMII format and passed to the corresponding XGMII lane. The XGMII comprises four lanes, labeled [0:3], and one clock in both transmit and receive directions. Each lane includes eight data signals and one control signal. Double Data Rate (DDR) transmission is utilized, with the data and control signals sampled on both the rising and falling edges of a 156.25 MHz (nom) clock for an effective data transfer rate of 2.5 Gbps.

**Figure 2-4. XAUI IP Core Receive Path**

With Optional Receive Direction Slip Buffer



Without Optional Receive Direction Slip Buffer

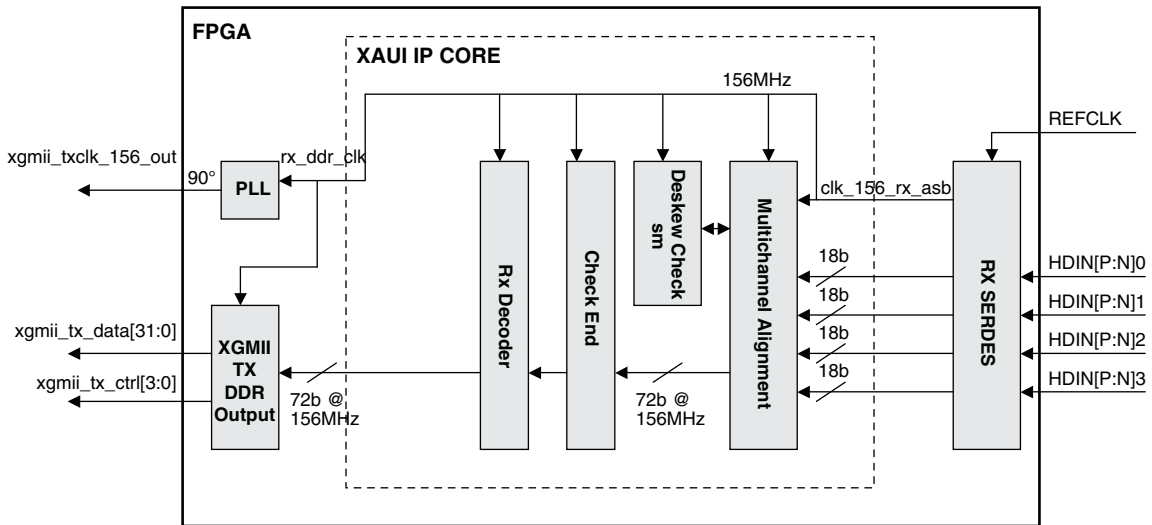
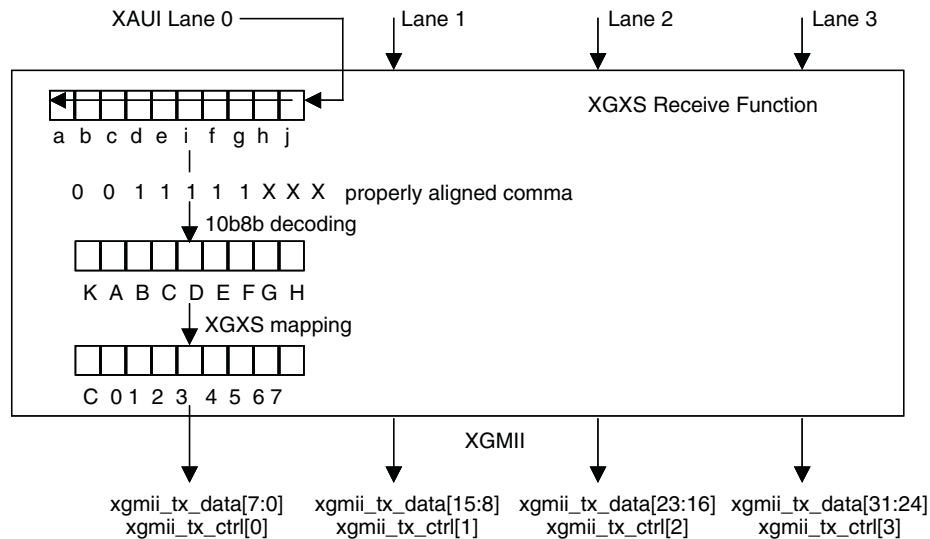


Figure 2-5. XAUI IP Core Receive Direction Data Translations

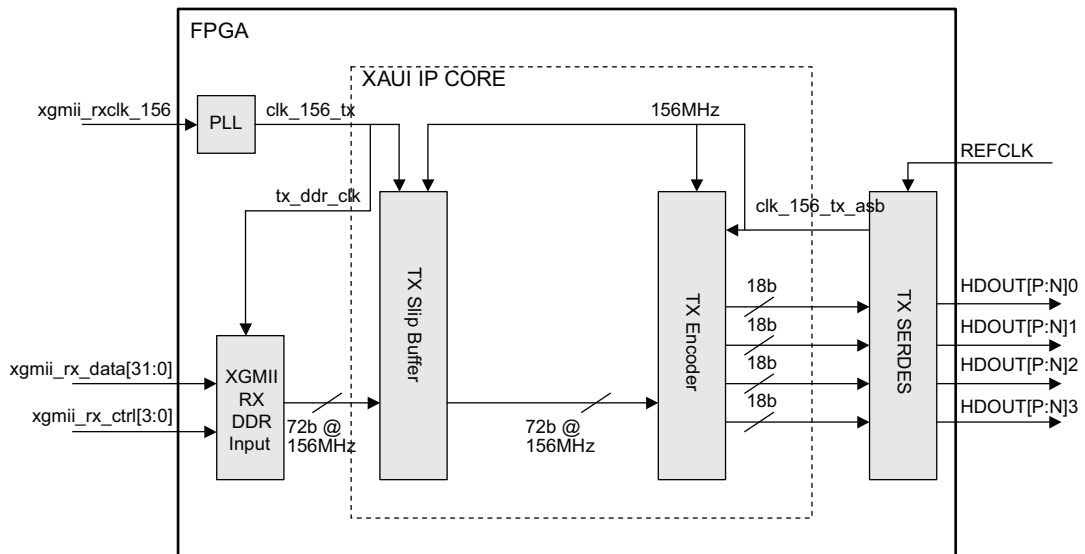


The transmit path, shown in Figure 2-6, is the data path from XGMII to XAUI. In the transmit direction, the 36-bit DDR data and control received at the XGMII are converted to single-edge timing and passed through an optional slip buffer that compensates for XAUI and XGMII timing differences. The XGMII data and control are then passed to the TX encoder, where they are translated and mapped to the 8b10b XAUI transmission code and then passed to the SERDES interface.

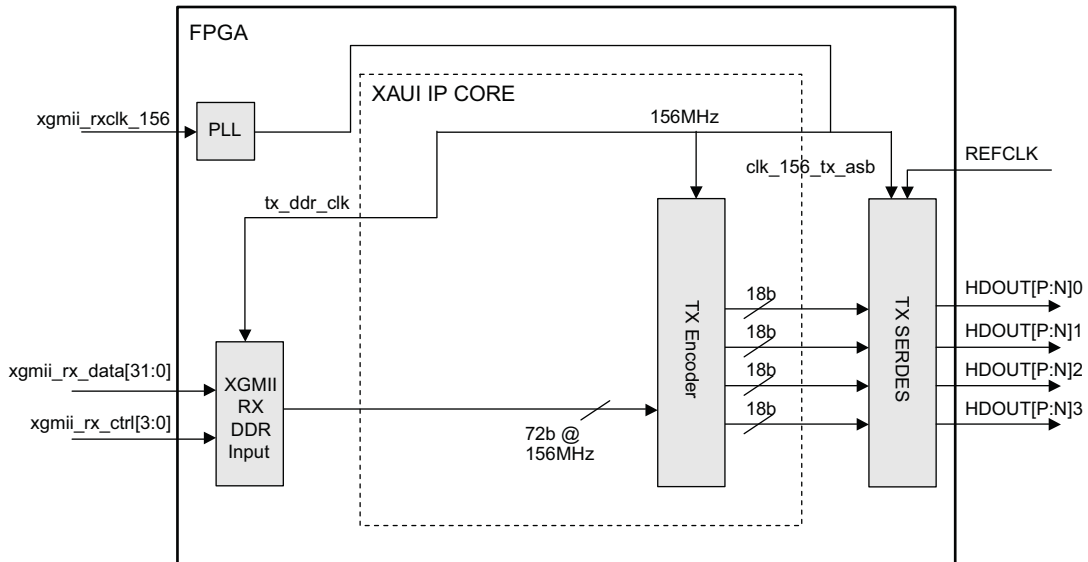
The transmit direction data translations are shown in Figure 2-7. Data and control from each of the four XGMII lanes are translated and mapped to the corresponding XAUI lanes. The transmit encoder includes the transmit idle generation state machine that generates a random sequence of /A/, /K/ and /R/ code groups as specified in IEEE 802.3-2005.

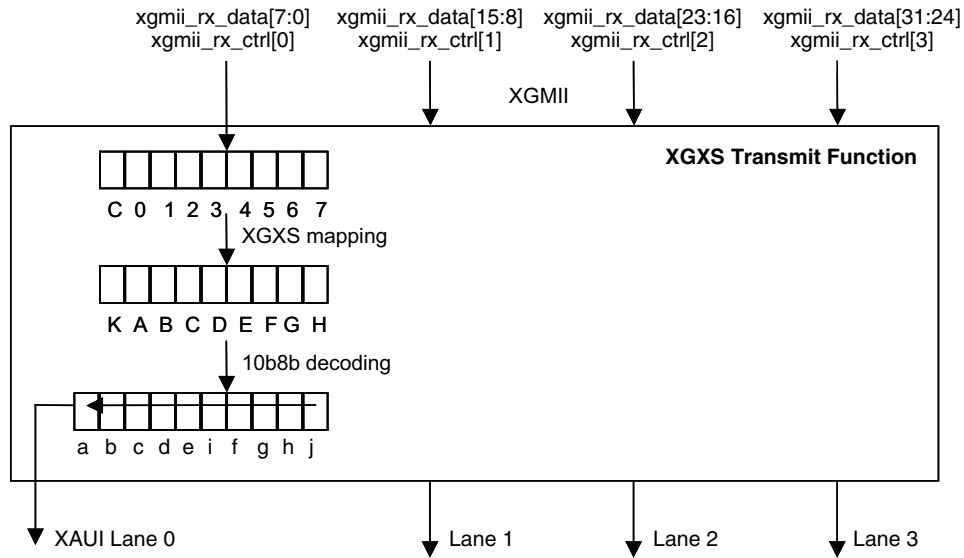
**Figure 2-6. XAUI IP Core Transmit Path**

With Optional Transmit Direction Slip Buffer



Without Optional Transmit Direction Slip Buffer



**Figure 2-7. XAUI IP Core Transmit Direction Data Translations**


### XGMII and Slip Buffers

The 10Gigabit Media Independent Interface (XGMII) supported by the XAUI IP core solution conforms to Clause 46 of IEEE 802.3-2005. The XGMII is composed of independent transmit and receive paths. Each direction uses 32 data signals, four control signals and a clock. The 32 data signals in each direction are organized into four lanes of eight signals each. Each lane is associated with a control signal as shown in Table 2-2.

**Table 2-2. XGMII Transmit and Receive Lane Associations<sup>1</sup>**

Tx data ( <code>xgmii_rx_data</code> ) Rx data ( <code>xgmii_tx_data</code> )	Tx control ( <code>xgmii_rx_ctrl</code> ) Rx control ( <code>xgmii_tx_ctrl</code> )	XAUI Lane
[7:0]	[0]	0
[15:8]	[1]	1
[23:16]	[2]	2
[31:24]	[3]	3

1. The XGMII TX signals are XGXS inputs to the transmit path (XGMII to XAUI). The XGMII RX signals are XGXS outputs of the receive path (XAUI to XGMII).

The XGMII supports Double Data Rate (DDR) transmission (i.e., the data and control input signals are sampled on both the rising and falling edges of the corresponding clock). The XGXS XGMII input (RX) data is sampled based on an input clock typically sourced from the XGMII device running at 156.25 MHz, 1/64th of the 10Gb data rate and is transmitted by the IP transmit part. The XGXS XGMII output (TX) data is referenced to a forwarded clock that is phase locked to a 156.25 MHz (typical) input reference, and the data is received from the IP receiver part.

The control signal for each lane is de-asserted when a data octet is being sent on the corresponding lane and asserted when a control character is being sent. Supported control octet encodings are shown in Table 2-3. All data and control signals are passed directly to/from the 8b10b encoding/decoding blocks with no further processing by the XGMII block. Note that the packet Start control word is only valid on lane 0.

**Table 2-3. XGMII Control Encoding**

Control	Data	Description
0	0x00 - 0xFF	Normal data transmission
1	0x00 - 0x06	Reserved
1	0x07	Idle
1	0x08 - 0x9B	Reserved
1	0x9C	Sequence (only valid on lane 0)
1	0x9D - 0xFA	Reserved
1	0xFB	Start (only valid on lane 0)
1	0xFC	Reserved
1	0xFD	Terminate
1	0xFE	Error
1	0xFF	Reserved

The XGMII blocks incorporate optional slip buffers that accommodate small differences between XGMII and XAUI timing by inserting or deleting idle characters. The slip buffer is implemented as a 256 x 72 FIFO. There are four flags out of the FIFO: full, empty, partially full, and partially empty. The partially empty flag is used as the watermark to start reading from the FIFO. If the difference between write and read pointers falls below the partially empty watermark and the entire packet has been transmitted, idle characters are inserted until the partially full watermark is reached. No idle is inserted during data transmission.

### XAUI-to-XGMII Translation (Receive Interface)

A block diagram of the XAUI IP core receive data path was shown previously in Figure 2-4. The IP receive interface converts the incoming XAUI stream into XGMII-compatible signals. At the embedded core interface, the IP core receive block receives 72 bits of data at 156 MHz (64 bits of data, 8 bits of control) from four XAUI lanes. Data from the embedded core are first passed to the RX multi-channel aligner block to de-skew the four XAUI lanes.

The multi-channel alignment block consists of four 16-byte deep FIFOs to individually buffer each XAUI lane. The multi-channel alignment block searches for the presence of the alignment character /A/ in each XAUI lane, and begins storing the data in the FIFO when the /A/ character is detected in a lane. When the alignment character has been detected in all four XAUI lanes, the data is retrieved from each FIFO so that all of the alignment characters /A/ are aligned across all four XAUI lanes. Once synchronization is achieved, the block does not resynchronize until a resynchronization request is issued.

The data from the RX multi-channel alignment is passed to the RX decoder. The RX decoder block converts the XAUI code to the corresponding XGMII code. Table 2-4 shows the 8b10b code points. Table 2-5 shows the code mapping between the two domains in the receive direction. XAUI /A/, /R/, /K/ characters are translated into XGMII Idle (/I/) characters.

Data from the RX decoder block is written to the RX slip buffer. As mentioned previously, the slip buffers are required to compensate for differences in the write and read clocks derived from the XAUI and XGMII reference clocks, respectively. Clock compensation is achieved by deleting (not writing) idle cells into the buffer when the “almost full” threshold is reached and by inserting (writing) additional idle cells into the buffer when the “almost empty” threshold is reached. All idle insertion/deletion occurs during the Inter-Packet Gap (IPG) between data frames.

**Table 2-4. XAUI 8b10b Code Points**

Symbol	Name	Function	Code Group
/A/	Align	Lane Alignment (XGMII Idle)	K28.3
/K/	Sync	Code-Group Alignment (XGMII Idle)	K28.5
/R/	Skip	Clock Tolerance Compensation (XGMII Idle)	K28.0
/S/	Start	Start of Packet Delimiter (in Lane 0 only)	K27.7
/T/	Terminate	End of Packet Delimiter	K29.7
/E/	Error	Error Propagation	K30.7
/Q/	Sequence	Link Status Message Indicator	K28.4
/d/	Data	Information Bytes	Dxx.x

**Table 2-5. XAUI 8b10b to XGMII Code Mapping**

8b10b Data from Embedded Core [7:0]	XGMII Data [7:0]	XGMII Control [3:0]
Dxx.x	0x00-0xFF (Data)	0
K28.5 (0xBC)	0x07 (Idle)	1
K28.3 (0x7C)	0x07 (Idle)	1
K28.0 (0x1C)	0x07 (Idle)	1
K27.7 (0xFB)	0xFB (Start)	1
K29.7 (0xFD)	0xFD (Terminate)	1
K30.7 (0xFE)	0xFE (Error)	1
K28.4 (0x9C)	0x9C (Ordered Set)	1

### XGMII-to-XAUI Translation (Transmit Interface)

A block diagram of the XAUI IP core transmit data path was shown previously in Figure 2-6. The TX interface converts the incoming XGMII data into XAUI-compatible characters. 36-bit XGMII DDR input data and control signals are initially converted to a 72-bit bus based on a single edge 156MHz clock. The data and control read are then passed into an optional TX slip buffer identical to the one used for the RX interface.

After the slip buffer, the XGMII formatted transmit data and control are input to the TX encoder that converts the XGMII characters into 8b10b format as shown in Table 7. The idle generation state machine in the TX encoder converts XGMII /I/ characters to a random sequence of XAUI /A/, /K/ and /R/ characters as specified in IEEE 802.3-2005. XGMII idles are mapped to a random sequence of code groups to reduce radiated emissions. The /A/ code groups support XAUI lane alignment and have a guaranteed minimum spacing of 16 code-groups. The /R/ code groups are used for clock compensation. The /K/ code groups contain the 8b10b comma sequence.

**Table 2-6. XGMII to XAUI Code Mapping**

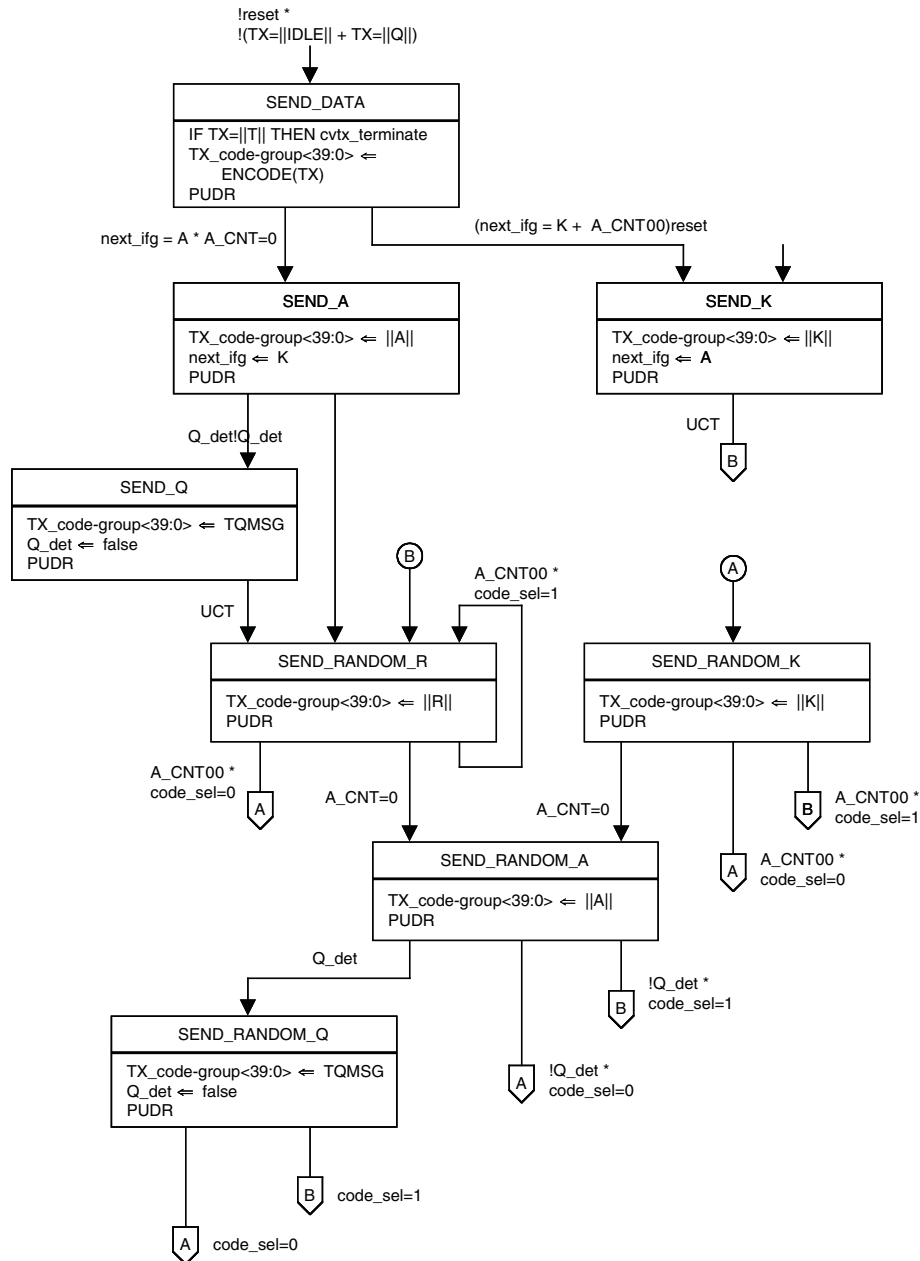
	XGMII	XAUI
Idle	/I/ = 0x07	Randomized /A/, /R/, /K/ Sequence /A/ = K28.3 = 0x7C /R/ = K28.0 = 0x1C /K/ = K28.5 = 0xBC (Comma)
Start	/S/ = 0xFB	/S/ = 0xFB
Error	/E/ = 0xFE	/E/ = 0xFE
Terminate	/T/ = 0xFD	/T/ = 0xFD
Ordered Set	/Q/ = 0x9C	/Q/ = 0x9C
Data	Control = 0	Control = 0



The random /A/, /R/, /K/ sequence is generated as specified in section 48.2.5.2.1 of IEEE 802.3-2005 and shown in the state machine diagram given in Figure 2-8. In addition to idle generation, the state machine also forwards sequences of ||Q|| ordered sets used for link status reporting. These sets have the XGMII sequence control character on lane 0 followed by three data characters in XGMII lanes 1 through 3. Sequence ordered-sets are only sent following an ||A|| ordered set.

The random selection of /A/, /K/, and /R/ characters is based on the generation of uniformly distributed random integers derived from a PRBS. Minimum ||A|| code group spacing is determined by the integer value generated by the PRBS (A\_cnt in Figure 2-8). ||K|| and ||R|| selection is driven by the value of the least significant bit of the generated integer value (code\_sel in Figure 2-8). The idle generation state machine specified in IEEE 802.3-2005 and shown in Figure 2-7 transitions between states based on a 312 MHz system clock. The TX encoder implemented in the XAUI IP runs at a system clock rate of 156 MHz. Thus the XGXS state machine implementation performs the equivalent of two state transitions each clock cycle.

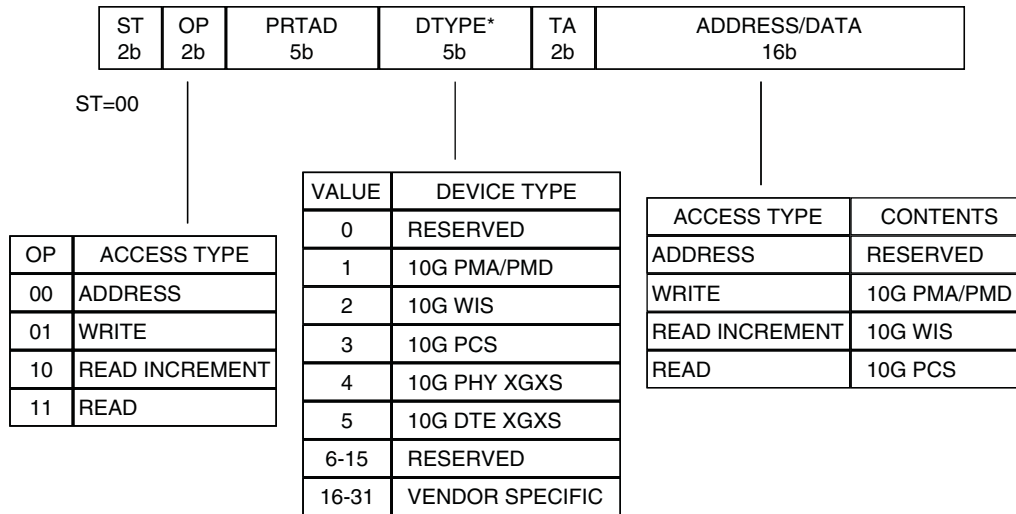
Figure 2-8. XGXS Idle Transmit State Diagram



### Management Data Input/Output (MDIO) Interface (Optional)

The MDIO interface provides access to the internal XAUI core registers. The register access mechanism corresponds to Clause 45 of IEEE 802.3-2005. The XAUI core provides access to XGXS registers 0x0000-0x0024 as specified in IEEE 802.3-2005. Additional registers in the vendor-specific address space have been allocated for implementation-specific control/status functions.

The physical interface consists of two signals: MDIO to transfer data/address/control to and from the device, and MDC, a clock up to 2.5 MHz sourced externally to provide the synchronization for MDIO. The fields of the MDIO transfer are shown in Figure 2-9.

**Figure 2-9. Fields of MDIO Protocol**


\* If ST=01, this field is REGAD (register address).

## Management Frame Structure

Each management data frame consists of 64 bits. The first 32 bits are preamble consisting of 32 contiguous 1s on the MDIO. Following the preamble is the start-of-frame field (ST) which is a 00 pattern. The next field is the operation code (OP) that is shown in Figure 2-9.

The next two fields are the port address (PRTAD) and device type (DTYPE). Since the physical layer function in 10 GbE is partitioned into various logical (and possibly separate physical) blocks, two fields are used to access these blocks. The PRTAD provides the overall address to the PHY function. The first port address bit transmitted and received is the MSB of the address. The DTYPE field addresses the specific block within the physical layer function.

Device address zero is reserved to ensure that there is not a long sequence of zeros. If the ST field is 01 then the DTYPE field is replaced with REGAD (register address field of the original clause 22 specification). The XAUI core does not respond to any accesses with ST = 01.

The TA field (Turn Around) is a 2-bit turnaround time spacing between the device address field and the data field to avoid contention during a read transaction. The TA bits are treated as don't cares by the XAUI core.

During a write or address operation, the address/data field transports 16 bits of write data or register address depending on the access type. The register is automatically incremented after a read increment. The address/data field is 16 bits.

For an address cycle, this field contains the address of the register to be accessed on the next cycle. For read/write/increment cycles, the field contains the data for the register. The first bit of data transmitted and received in the address/data field is the MSB (bit 15). An example access is shown in Figure 2-10.

Figure 2-10. Indirect Address Example

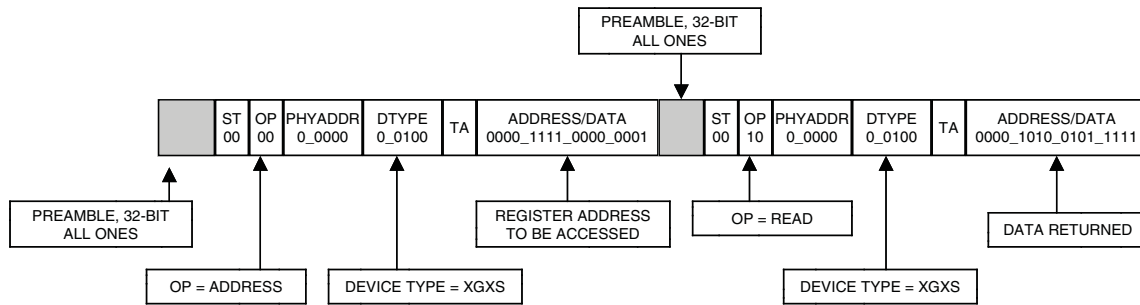


Table 2-7 shows PHY XGXS registers as described in IEEE 802.3-2005. The shaded areas are used to indicate register addresses that are specified in the draft but are not used in this implementation.

There are two vendor supported register ranges. The 4.8000h register range is used for accessing and programming the XGXS registers implemented in the programmable array. All corresponding registers are listed in Table 2-8. All PCS embedded core registers can be accessed thru the 4.9xxxh registers shown in Table 2-9, where the address is directly mapped to the PCS embedded registers.

## Register Descriptions

Table 2-7. Register Map for XAUI IP Core (Device Address = 4)

Register Address	Register Name
0	PHY XGXS Control 1
1	PHY XGXS Status 1
2, 3	PHY XGXS Identifier
4	Reserved
5	PHY XGXS Status 2
6 - 23	Reserved
24	10G PHY XGXS Lane status
25 - 32767	Reserved
32768 - 65535	Vendor specific

Table 2-8. XAUI IP Core Registers

Bit(s)	Name	Description	R/W	Reset Value
<b>Control 1 Register</b>				
4.0.15	Reset	1 = PHY XA reset, 0 = Normal operation	R/W S/C	0
4.0.14	Loopback (not supported)	Loop back functionality is supported in the PCS core. The XAUI core does not provide loopback capability.	R	0
4.0.13	Speed Selection	Value always 0	R	0
4.0.12	Reserved	Value always 0	R	0
4.0.11	Low Power	0= Low Power Mode 1= Normal operation This bit controls the power_down signal of the XAUI core.	R/W	1
4.0.[10:7]	Reserved	Value always 0	R	0
4.0.6	Speed Selection	Value always 0	R	0
4.0.[5:2]	Speed Selection	Value always 0	R	0
4.0.[1:0]	Reserved	Value always 0	R	0
<b>Status 1 Register</b>				
4.1.[15:8]	Reserved	Value always 0	R	0

**Table 2-8. XAUI IP Core Registers (Continued)**

Bit(s)	Name	Description	R/W	Reset Value
4.1.7	Fault (not supported)	0 = No Fault condition	R	0
4.1.[6:3]	Reserved	Value always 0	R	0
4.1.2	PHY XS TX link status (not supported)	The Link status is available in the PCS core register.	R	0
4.1.1	Low Power Ability	1 = Low Power Mode support	R	1
4.1.0	Reserved	Value always 0	R	0
<b>XGXS Identifier Registers</b>				
4.2:[15:0]	PHY XS Identifier	MSB = 0x0000	R	0
4.3:[15:0]	PHY XS Identifier	LSB = 0x0004	R	0004
<b>XGXS Reserved Register</b>				
4.4.[15:1]	Reserved	Value always 0	R	0
4.4.0	10 G Capable	Value always 1	R	1
<b>Status 1 Register</b>				
4.5.[15:6]	Reserved	Value always 0	R	0
4.5.5	DTE XS Present	Value always 0	R	0
4.5.4	PHY XS Present	Value always 1	R	1
4.5.3	PCS Present	Value always 0	R	0
4.5.2	WIS Present	Value always 0	R	0
4.5.1	PMD/PMA Present	Value always 0	R	0
4.5.0	Clause 22 regs present	Value always 0	R	0
<b>XGXS Reserved Register</b>				
4.6.15	Vendor specific device present	Value always 0	R	0
4.6.[14:0]	Reserved	Value always 0	R	0
4.8.[15:14]	Device present	10 = Device responding to this address	R	10
4.8.[13:12]	Reserved	Value always 0	R	0
4.8.11	Transmit Fault (not supported)	0 = No fault of tx path	R	0
4.8.10	Receive Fault (not supported)	0 = No fault of tx path	R	0
4.8.9:0	Reserved	Value always 0	R	0
4.15, 4.14	Package Identifier	Value always 0	R	0
4.24.[15:13]	Reserved	Value always 0	R	0
4.24.12	PHY XGXS Lane Alignment (not supported)	TX alignment status is available in the PCS core register	R	0 0
4.24.11	Pattern Testing ability	0 = Not able to generate pattern.	R	0
4.24.10	PHY XGXS has loop back capability	1 = Has loop back capability	R	1
4.24.[9:4]	Reserved	Value always 0	R	0
4.24.3	Lane 3 Sync (not supported)	Status is available from the PCS core	R	0 0
4.24.2	Lane 2 Sync (not supported)	Status is available from the PCS core	R	0 0
4.24.1	Lane 1 Sync (not supported)	Status is available from the PCS core	R	0 0

**Table 2-8. XAUI IP Core Registers (Continued)**

Bit(s)	Name	Description	R/W	Reset Value
4.24.0	Lane 0 Sync (not supported)	Status is available from the PCS core	R	0 0
4.25.15:3	Reserved	Value always 0	R	0
4.25.2	Receive test pattern enable	0 = Receive test pattern not enabled	R	0
4.25.1:0	Test pattern select	00	R	00
4.8000.[15:0]	MCA Sync Request	Writing any value to this register triggers the MCA sync request. This register always read as 0.	R/W	0
4.8001.15	MCA Sync Status	This bit provides MCA synchronization status.	R/W	0
4.8002.[15:8]	Unused	Bit [15:8] are unused	R/W	0
4.8002.[7:0]	GPO	This field controls the General Purpose Outputs (GPO) when the MDIO is enabled. It is intended to control optional ports of the PCS core.	R/W	0
4.8003.[15:8]	Unused	Bit [15:8] are unused	R/W	0
4.8003.[7:0]	GPI	This field senses the state of the General Purpose Inputs (GPI) when the MDIO is enabled. It is intended to sense the status control of the PCS core.	R/W	0

**Table 2-9. XAUI Vendor Specific Registers 4.9xxxh**

Bit(s)	Name	Description	R/W	Reset Value
4.9xxx.[15:8]	Unused	Bit [15:8] are unused	R/W	0
4.9xxx.[7:0]	PCS register access	<p>Bits [7:0] are directly mapped to sci_wrdata port. Address bits [5:0] are directly mapped to sci_addr port [5:0].</p> <p>For ECP3, Address bits [8:6] are used to decode which SCI quad is being selected.            [8:6] = 0 SCI0 is selected            [8:6] = 1 SCI1 is selected            [8:6] = 2 SCI2 is selected            [8:6] = 3 SCI3 is selected            [8:6] = 4 SCI Quad is selected</p> <p>For ECP5, Address bits [8:6] are used to decode which SCI dual is being selected.            [8:6] = 0 and [10:9] = 0 Ch0 of Dual0 is selected            [8:6] = 1 and [10:9] = 0 Ch1 of Dual0 is selected            [8:6] = 0 and [10:9] = 1 Ch0 of Dual1 is selected            [8:6] = 1 and [10:9] = 1 Ch1 of Dual1 is selected            [8:6] = 4 and [10:9] = 0 SCI Dual0 is selected            [8:6] = 4 and [10:9] = 1 SCI Dual1 is selected</p>	R/W	0

## Input/Output Timing

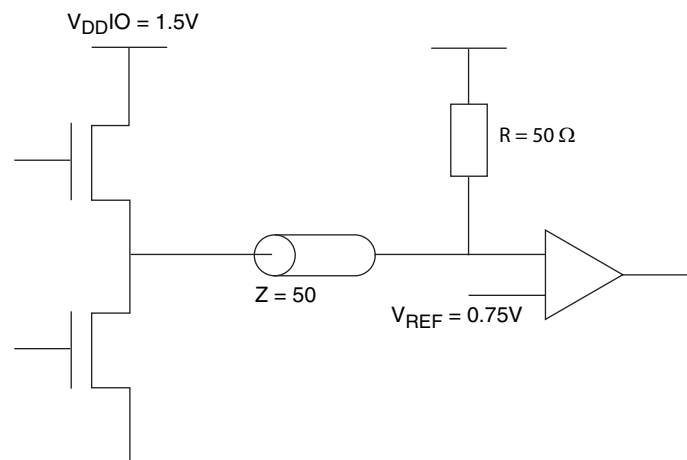
### XGMII Specifications

Clause 46 of IEEE 802.3-2005 specifies HSTL1 I/O with a 1.5V output buffer supply voltage for all XGMII signals. The HSTL1 specifications comply with EIA/JEDEC standard EIA/JESD8-6 using Class I output buffers with output impedance greater than 38 $\Omega$  to ensure acceptable overshoot and undershoot performance in an unterminated interconnection. The parametric values for HSTL XGMII signals are given in Table 2-10. The HSTL termination scheme is shown in Figure 2-11. Timing requirements for chip-to-chip XGMII signals are shown in Figure 2-12.

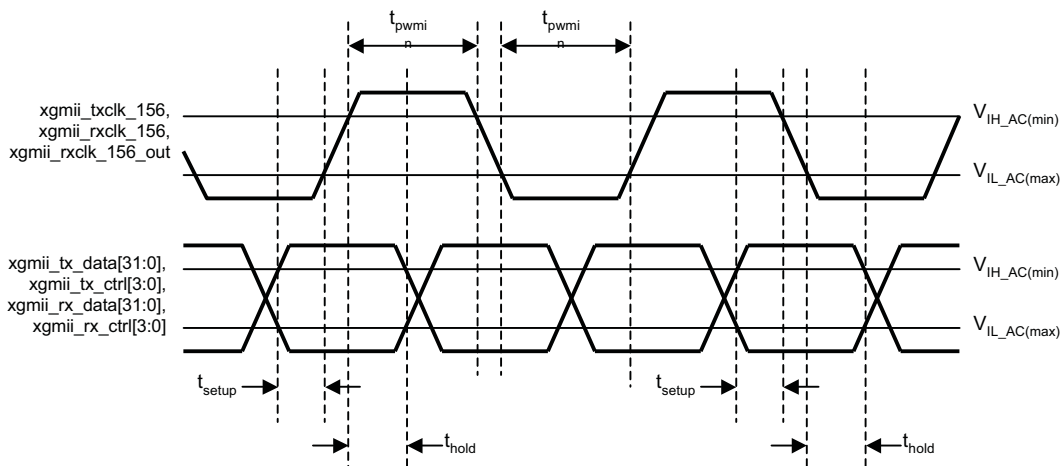
**Table 2-10. XGMII DC and AC Specifications**

Parameter	Condition	Min.	Typ.	Max.	Units
VDDIO	-	1.4	1.5	1.8	V
VREF	-	0.68	0.75	0.9	V
VTT1	-	-	0.75	-	V
VIH	-	VREF + 100mV	0.85	VDDIO + 0.3	V
VIL	-	-0.3	0.65	VREF - 100mV	V
VOH2	IOH > 8mA	1	1.1	-	V
VOL	IOL > -8mA	-	-	0.4	V

**Figure 2-11. HSTL1 Circuit Topology**



**Figure 2-12. XGMII Timing Parameters**



Symbol	Driver	Receiver	Units
$t_{SETUP}$	960	480	ps
$t_{HOLD}$	960	480	ps
$t_{PWMIN}$	2.5	-	ns

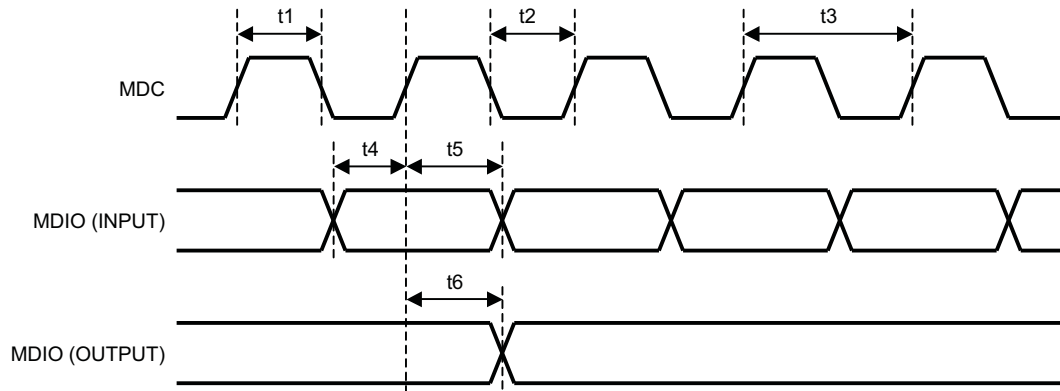
### XAUI Specifications

Refer to the LatticeECP3 and ECP5 PCS specifications for a complete XAUI timing requirements.

### MDIO Specifications

The electrical specifications of the MDIO signals conform to Clause 45.4 of IEEE 802.3-2005.

**Figure 2-13. MDIO Timing**



Symbol	Description	Min.	Max.	Units
t1	MDC high pulse width	200	—	ns
t2	MDC low pulse width	200	—	ns
t3	MDC period	400	—	ns
t4	MDIO (I) setup to MDC rising edge	10	—	ns
t5	MDIO (O) hold time from MDC rising edge	10	—	ns
t6	MDIO (O) valid from MDC rising edge	0	300	ns



The IPexpress™/Clarity Designer™ tool is used to create IP and architectural modules in the Diamond software. Refer to the [IP Core Generation](#) section for a description on how to generate the IP.

Table 3-1 provides the list of user configurable parameters for the XAUI IP core. The parameter settings are specified using the XAUI IP core Configuration GUI in IPexpress/Clarity Designer.

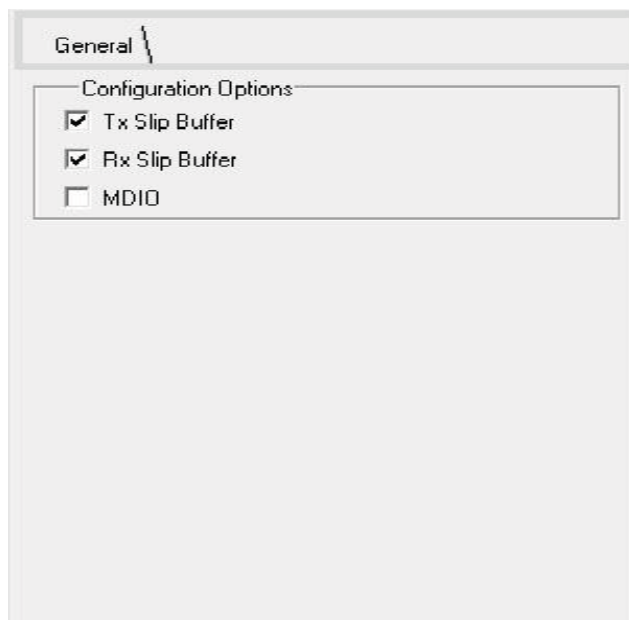
**Table 3-1. XAUI IP Configuration Parameters**

Parameter	Range/Options	Default
Configuration Options	Tx Slip Buffer/Rx Slip Buffer/MDIO	Tx Slip Buffer/ Rx Slip Buffer

## XAUI IP Configuration Dialog Box

Figure 3-1 shows the XAUI IP core configuration dialog box.

**Figure 3-1. XAUI IP Configuration Dialog Box**



## Parameter Descriptions

This section describes the available parameters for the XAUI IP core.

### Tx Slip Buffer

This option allows the user to include a slip buffer in the XAUI transmit direction for clock tolerance compensation (enabled by default).

### Rx Slip Buffer

This option allows the user to include a slip buffer in the XAUI receive direction for clock tolerance compensation (enabled by default).

### MDIO

This option allows the user to include an MDIO interface providing access to XAUI IP core internal registers (disabled by default).

This chapter provides information on licensing the XAUI IP core, generating the core using the software IPexpress /Clarity Designer tool, running functional simulation, and including the core in a top-level design. The Lattice XAUI IP core can be used in LatticeECP3 and ECP5 device families.

## Licensing the IP Core

An IP license is required to enable full, unrestricted use of the XAUI IP core in a complete, top-level design. An IP license that specifies the IP core (XAUI) and device family (ECP3 or ECP2M) is required to enable full use of the XAUI IP core in LatticeECP2M or LatticeECP3. Instructions on how to obtain licenses for Lattice IP cores are given at:

[http://www.latticesemi.com/licenseprocessing/ipcore\\_lic\\_req.cfm?api=true](http://www.latticesemi.com/licenseprocessing/ipcore_lic_req.cfm?api=true)

Users may download and generate the XAUI IP core for LatticeECP3 or ECP5 and fully evaluate the core through functional simulation and implementation (synthesis, map, place and route) without an IP license. The XAUI IP core also supports Lattice's IP hardware evaluation capability, which makes it possible to create versions of the IP core that operate in hardware for a limited time (approximately four hours) without requiring an IP license (see [Hardware Evaluation](#) for further details). However, a license is required to enable timing simulation, to open the design in the Diamond tool, and to generate bitstreams that do not include the hardware evaluation timeout limitation.

## IPexpress IP Generation Flow

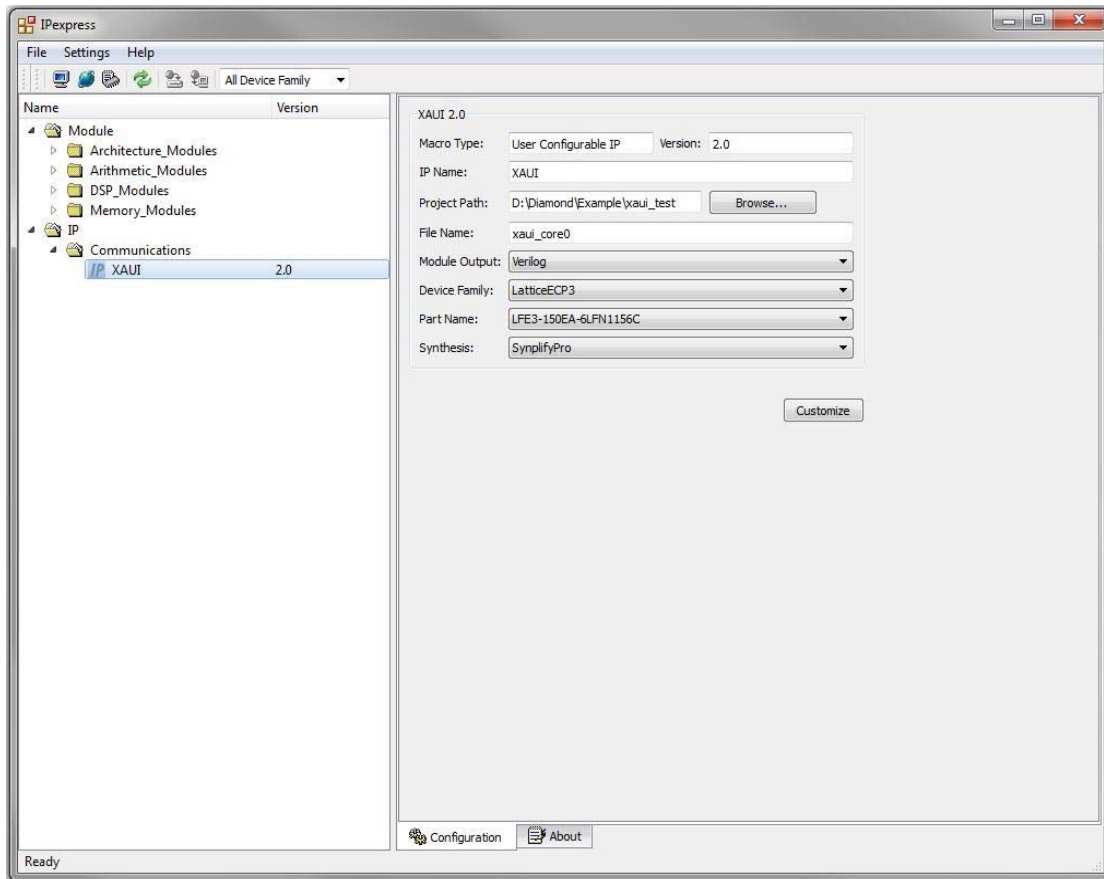
### Getting Started

The XAUI IP core is available for download from the Lattice IP Server using the IPexpress tool in Diamond. The IP files are automatically installed using InstallShield® technology in any customer-specified directory. After the IP core has been installed, it will be available in the IPexpress GUI dialog box shown in **Figure 4-1**.

The IPexpress tool GUI dialog box for the XAUI IP core is shown in **Figure 4-1**. To generate a specific IP core configuration the user specifies:

- **Project Path** – Path to the directory where the generated IP files will be loaded.
- **File Name** – “username” designation given to the generated IP core and corresponding folders and files.
- **(Diamond) Module Output** – Verilog or VHDL.
- **(ispLEVER) Design Entry Type** – Verilog HDL or VHDL
- **Device Family** – Device family to which IP is to be targeted (e.g. LatticeECP3, ECP5, etc.). Only families that support the particular IP core are listed.
- **Part Name** – Specific targeted part within the selected device family.

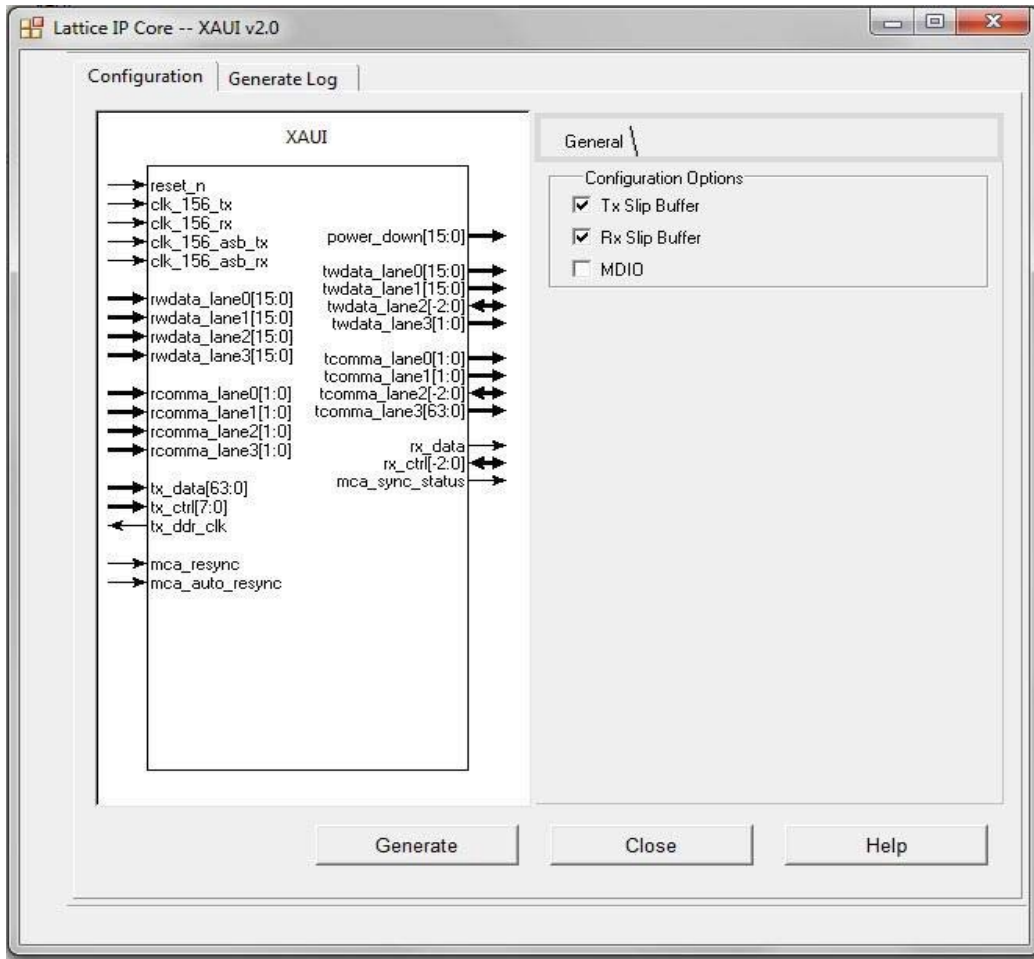
Figure 4-1. IPexpress Dialog Box



Note that if the IPexpress tool is called from within an existing project, Project Path, Module Output, Device Family and Part Name default to the specified project parameters. Refer to the IPexpress tool online help for further information.

To create a custom configuration, the user clicks the **Customize** button in the IPexpress tool dialog box to display the XAUI SDRAM IP core Configuration GUI, as shown in **Figure 4-2**. From this dialog box, the user can select the IP parameter options specific to their application. Refer to [Parameter Settings](#) for more information on the XAUI parameter settings.

Figure 4-2. Configuration GUI



## IPexpress-Created Files and Top Level Directory Structure

When the user clicks the **Generate** button in the IP Configuration dialog box, the IP core and supporting files are generated in the specified “Project Path” directory. The directory structure of the generated files is shown in **Figure 4-3**.

Figure 4-3. XAUI Core Directory Structure



Table 4-1 provides a list of key files and directories created by the IPexpress tool and how they are used. The IPexpress tool creates several files that are used throughout the design cycle. The names of most of the created files are customized to the user’s module name specified in the IPexpress tool.

Table 4-1. File List

File	Description
<username>.lpc	This file contains the IPexpress tool options used to recreate or modify the core in the IPexpress tool.
<username>.ipx	The IPX file holds references to all of the elements of an IP or Module after it is generated from the IPexpress. The file is used to bring in the appropriate files during the design implementation and analysis. It is also used to re-load parameter settings into the IP/Module generation GUI when an IP/Module is being re-generated.
<username>.ngo	This file provides the synthesized IP core.
<username>_bb.v/.vhd	This file provides the synthesis black box for the user’s synthesis.
<username>_inst.v/.vhd	This file provides an instance template for the IP core.
<username>_beh.v/.vhd	This file provides the front-end simulation library for the IP core.

Table 4-2 provides a list of key additional files providing IP core generation status information and command line generation capability are generated in the user’s project directory.

Table 4-2. Additional Files

File	Description
generate_core.tcl	This file is created when the GUI <b>Generate</b> button is clicked. This file may be run from command line.
<username>_generate.log	This is the synthesis and map log file.
<username>_gen.log	This is the IPexpress IP generation log file

The `\xau_core_eval` and subtending directories provide files supporting XAUI IP core evaluation. The `models` directory shown in Figure 4-3 contains files/folders with content that is constant for all configurations of the XAUI IP

core. The `\<username>` subfolder (`\xaui_core0` in this example) contains files/folders with content specific to the username configuration.

The `\xaui_core_eval` directory is created by IPexpress the first time the core is generated and updated each time the core is regenerated. A `\<username>` directory is created by IPexpress each time the core is generated and regenerated each time the core with the same file name is regenerated. A separate `\<username>` directory is generated for cores with different names, e.g. `\xaui_core0`, `\xaui_core1`, etc.

## Instantiating the Core

The generated XAUI IP core package includes black-box (`<username>_bb.v`) and instance (`<username>_inst.v`) templates that can be used to instantiate the core in a top-level design. Two example RTL top-level reference source files are provided in `\<project_dir>\xaui_core_eval\<username>\src`.

The top-level file `<username>_eval.v` is the same top-level file that is used in the simulation model described in the next section. Designers may use this top-level reference as a template for the top level of their design. Included in `<username>_eval.v` sample packet generation and checking capabilities at the XGMII interface.

The top-level file `<username>_core_only.v` supports the ability to implement just the XAUI IP core itself. This design is intended only to provide an accurate indication of the device utilization associated with the XAUI IP core and should not be used as an actual implementation example.

To instantiate this IP core using the Linux platform, users must manually add one environment variable named "SYNPLIFY" to indicate the installation path of the OEM Synplify tool in the local environment file. For example, `SYNPLIFY=/tools/local/isptools7_2/isptools/synplify_linux`.

## Running Functional Simulation

The functional simulation includes a configuration-specific behavioral model of the XAUI IP core (`<username>_beh.v`) that is instantiated in an FPGA top level along with user-side (XGMII) packet generation and checking capabilities. The top-level file supporting ModelSim simulation is provided in `\<project_dir>\xaui_core_eval\<username>\src`. This FPGA top is instantiated in an evaluation test-bench provided in `\<project_dir>\xaui_core_eval\<username>\testbench`.

Users may run the evaluation simulation by doing the following:

1. Open ModelSim.
2. Under the **File** tab, select **Change Directory** and choose folder `\<project_dir>\xaui_core_eval\<username>\sim\modelsim`.
3. Under the **Tools** tab, select **Execute Macro** and execute one of the ModelSim "do" scripts shown. The simulation waveform results will be displayed in the ModelSim Wave window.

The top-level file supporting Aldec Active-HDL simulation is provided in `\<project_dir>\xaui_core\<username>\sim\aldec`. This is the same top-level that is used for ModelSim simulation.

Users may run the Aldec evaluation simulation by doing the following:

1. Open Active-HDL.
2. Under the console tab change the directory to `\<project_dir>\xaui_core_eval\<username>\sim\aldec`
3. Execute the Active-HDL "do" scripts shown. The simulation waveform results will be displayed in the Active-HDL Wave window.

---

## Synthesizing and Implementing the Core in a Top-Level Design

The XAUI IP core itself is synthesized and is provided in NGO format when the core is generated. Users may synthesize the core in their own top-level design by instantiating the core in their top level as described previously and then synthesizing the entire design with either Synplify or Lattice Synthesis Engine.

Two example RTL top-level configurations supporting the XAUI IP core top-level synthesis and implementation are provided with the XAUI IP core in `\<project_dir>\xaui_core_eval\<username>\impl`.

The top-level file `<username>_core_only.v` provided in `\<project_dir>\xaui_core_eval\<username>\src` supports the ability to implement just the XAUI IP core. This design is intended only to provide an accurate indication of the device utilization associated with the core itself and should not be used as an actual implementation example.

The top-level file `<username>_eval.v` provided in `\<project_dir>\eval\<username>\src` supports the ability to instantiate, simulate, map, place and route the XAUI IP core in an example design that include packet generation and checking modules at the XGMII interface. This is the same configuration that is used in the evaluation simulation capability described previously.

Push-button implementation of both top-level configurations is supported via the Diamond project files, `<username>_core_only_eval.ldf` and `<username>_reference_eval.ldf`. These files are located in `\<project_dir>\xaui_core_eval\<username>\impl\synplify`, for implementation using the Synplify tool.

*To use this project file in Diamond:*

1. Choose **File > Open > Project**.
2. Browse to `\<project_dir>\xaui_core_eval\<username>\impl\synplify` in the Open Project dialog box.
3. Select and open `<username>_core_only_eval.ldf` or `<username>_reference_eval.ldf`. At this point, all of the files needed to support top-level synthesis and implementation will be imported to the project.
4. Select the **Process** tab in the left-hand GUI window.
5. Implement the complete design via the standard Diamond GUI flow.

## Clarity Designer IP Generation Flow

### Getting Started

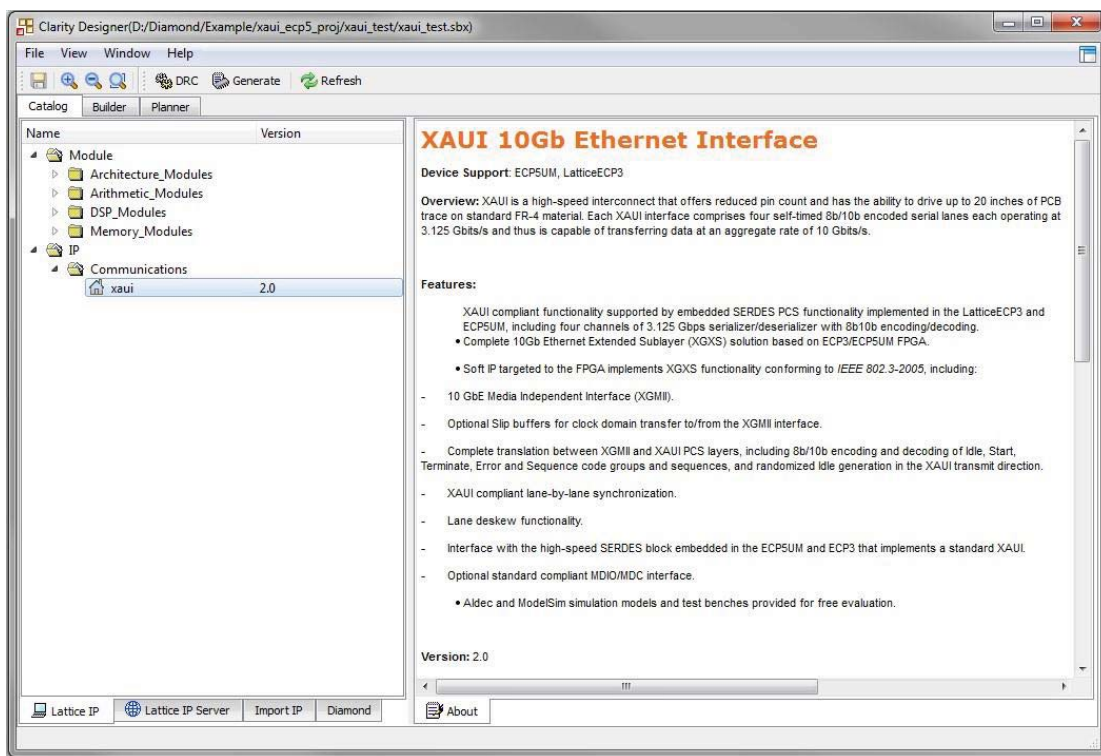
The XAUI IP core is available for download from the Lattice IP Server using the Clarity Designer tool in Diamond. The IP files are automatically installed using InstallShield technology in any customer-specified directory. After the IP core has been installed, it will be listed in the Available Modules tab of the Clarity Designer GUI as shown in **Figure 4-4**.

The Clarity Designer GUI popup box for the XAUI IP core is shown in **Figure 4-4**. Select the check box **Create new Clarity design** while generating the IP for the first time. To create a specific IP Clarity Designer project the user specifies:

- **Design Location** – Path to the directory where the Clarity Designer project will be created.
- **Design Name** – Name of the Clarity Designer project.
- **HDL Output** – Verilog or VHDL.

The Diamond Project details (Diamond Design name, Diamond Design Path, Part Name, Synthesis) will be loaded automatically. The synthesis tool that is used for the Diamond project will also be used for the IP generation.

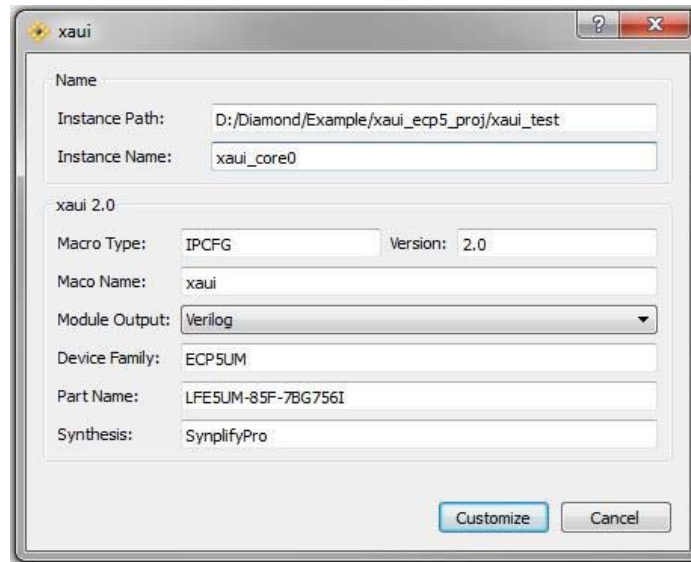
**Figure 4-4. Clarity Designer GUI**



In the Catalog tab, double-clicking on the **XAUI** entry opens the XAUI IP GUI dialog box as shown in **Figure 4-5**.



Figure 4-5. XAUI IP GUI Dialog Box



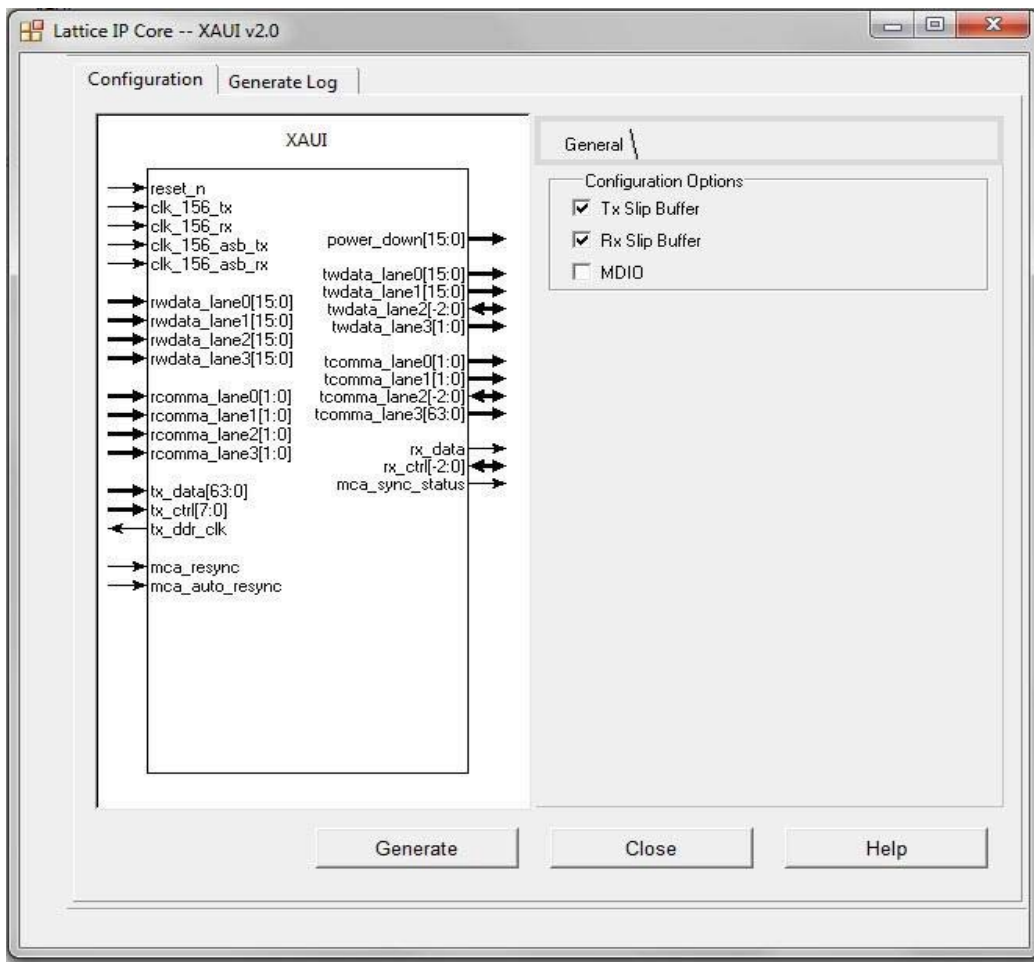
Note: Macro Type, Version and Macro Name are fixed for the specific IP core selected. Instance Path, Device Family and Part Name are default to the specified parameters. The synthesis tool selected for the parent Diamond project will be used for the IP generation also.

To generate a specific IP core configuration the user specifies:

- **Instance Path** – Path to the directory where the generated IP files will be located.
- **Instance Name** – “username” designation given to the generated IP core and corresponding folders and file.
- **Macro Type** – IPCFG (configurable IP) for XAUI.
- **Version** – IP version number.
- **Macro Name** – Name of the IP Core.
- **Module Output** – Verilog or VHDL.
- **Device Family** – Device family to which IP is to be targeted.
- **Part Name** – Specific targeted part within the selected device family.
- **Synthesis** – Tool to be used to synthesize IP core.

To create a custom configuration, the user clicks the Customize button to display the XAUI IP core Configuration GUI, as shown in **Figure 4-6**. From this dialog box, the user can select the IP parameter options specific to their application. Refer to [Parameter Settings](#) for more information on the XAUI parameter settings.

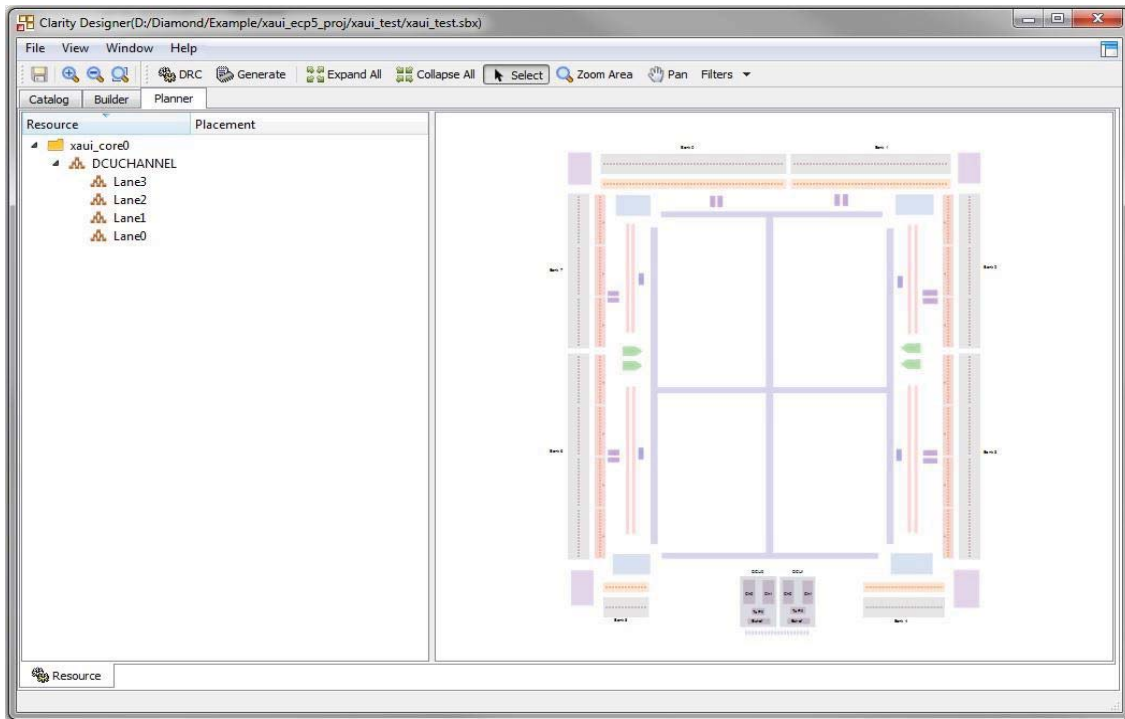
Figure 4-6. Configuration GUI



### Configuring and Placing the IP Core

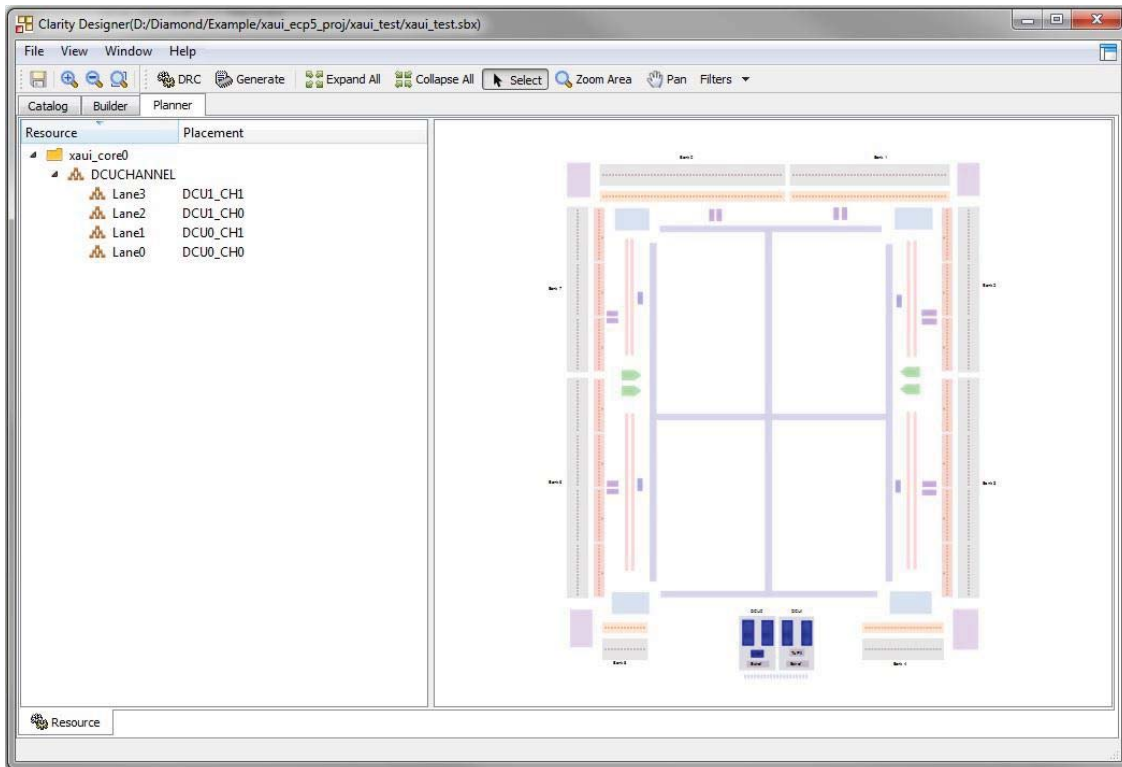
After specifying the appropriate settings, click the **Generate** button and then **Close** button at the bottom of the IP core configuration GUI. At this point the data files specifying the configuration of this IP core instance are created in the user's project directory. An entry for this IP core instance is also included in the Planner tab of the Clarity Designer GUI, as shown in **Figure 4-7**.

Figure 4-7. Clarity Designer GUI



The IP core instance may now be placed in the desired location in the ECP5 DCU. Drag the instance of associated IP SERDES lanes entry from the Planner tab to the Clarity Placement tab. Once placed, the specific IP core placement is shown in the Configured Modules tab and highlighted in the Placement tab as shown in **Figure 4-8**.

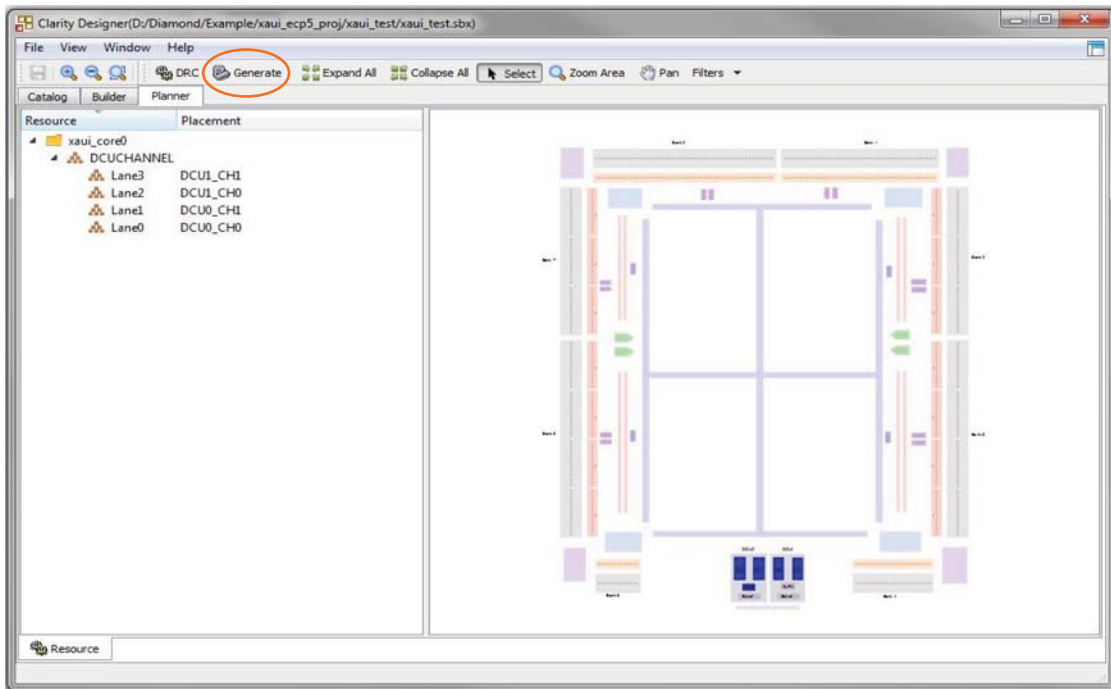
**Figure 4-8. Clarity Designer Placed Module**



### Generating the IP Core

After the IP core has been configured and placed, it may be generated by clicking on the **Generate** icon in the Clarity GUI, as shown in **Figure 4-9**. When Generate is selected, all of the configured and placed IP cores shown in the Configured Modules tab and the associated supporting files are re-generated with corresponding placement information in the “Instance Path” directories.

**Figure 4-9. Generating the IP Core**



### Clarity Designer-Created Files and Top Level Directory Structure

When the user clicks the Generate button in the IP Configuration dialog box, the IP core and supporting files are generated in the specified “Project Path” directory. The directory structure of the generated files is shown in Figure 4-10.

**Figure 4-10. XAUI Core Directory Structure**



**Table 4-3** provides a list of key files and directories created by the Clarity Designer tool and how they are used. The Clarity Designer tool creates several files that are used throughout the design cycle. The names of most of the created files are customized to the user’s module name specified in the Clarity Designer tool.

**Table 4-3. File List**

File	Description
<username>.lpc	This file contains the Clarity Designer tool options used to recreate or modify the core in the Clarity Designer tool.
<username>_core.ngo	This file provides the synthesized IP core.
<username>_bb.v/.vhd	This file provides the synthesis black box for the user’s synthesis.
<username>_inst.v/.vhd	This file provides an instance template for the IP core.
<username>_beh.v/.vhd	This file provides the front-end simulation library for the IP core.

**Table 4-4** provides a list of key additional files providing IP core generation status information and command line generation capability are generated in the user’s project directory.

**Table 4-4. Additional Files**

File	Description
generate_core.tcl	This file is created when the <b>Generate</b> and <b>Close</b> buttons are pushed in the IP Configuration GUI. This file may be run from command line.
generate_ngd.tcl	This file is created when the GUI <b>Generate</b> and <b>Close</b> buttons are pushed in the IP Configuration GUI. This file may be run from command line.
<username>_generate.log	This is the IP configuration log file.
<username>_gen.log	This is the Clarity Designer IP generation log file
<username>_filelist.log	This is the Clarity Designer file list

The \xau\_core\_eval and subtending directories provide files supporting XAUI IP core evaluation. The \models directory shown in **Figure 4-10** contains files/folders with content that is constant for all configurations of the XAUI IP core. The \<username> subfolder (\xau\_core0 in this example) contains files/folders with content specific to the username configuration.

The \xau\_core\_eval directory is created by Clarity Designer the first time the core is generated and updated each time the core is regenerated. A \<username> directory is created by Clarity Designer each time the core is generated and regenerated each time the core with the same file name is regenerated. A separate \<username> directory is generated for cores with different names, e.g. \xau\_core0, \xau\_core1, etc.

### Instantiating the Core

The generated XAUI IP core package includes black-box (<username>\_bb.v) and instance (<username>\_inst.v) templates that can be used to instantiate the core in a top-level design. Two example RTL top-level reference source files are provided in \<project\_dir>\<username>\xau\_core\_eval\<username>\src.

The top-level file <username>\_eval.v is the same top-level file that is used in the simulation model described in the next section. Designers may use this top-level reference as a template for the top level of their design. Included in <username>\_eval.v sample packet generation and checking capabilities at the XGMII interface.

The top-level file <username>\_core\_only.v supports the ability to implement just the XAUI IP core itself. This design is intended only to provide an accurate indication of the device utilization associated with the XAUI IP core and should not be used as an actual implementation example.

To instantiate this IP core using the Linux platform, users must manually add one environment variable named “SYNPLIFY” to indicate the installation path of the OEM Synplify tool in the local environment file. For example, SYNPLIFY=/tools/local/isptools7\_2/isptools/synplify\_linux.

---

## Running Functional Simulation

The functional simulation includes a configuration-specific behavioral model of the XAUI IP core (`<username>_beh.v`) that is instantiated in an FPGA top level along with user-side (XGMII) packet generation and checking capabilities. The top-level file supporting ModelSim simulation is provided in

`\<project_dir>\<username>\xaui_core_eval\<username>\src`. This FPGA top is instantiated in an evaluation test-bench provided in `\<project_dir>\<username>\xaui_core_eval\<username>\test-bench`.

Users may run the evaluation simulation by doing the following:

1. Open ModelSim.
2. Under the File tab, select **Change Directory** and choose folder `\<project_dir>\<username>\xaui_core_eval\<username>\sim\modelsim`.
3. Under the Tools tab, select **Execute Macro** and execute one of the ModelSim “do” scripts shown. The simulation waveform results will be displayed in the ModelSim Wave window.

The top-level file supporting Aldec Active-HDL simulation is provided in

`\<project_dir>\<username>\xaui_core_eval\<username>\sim\aldec`. This is the same top-level that is used for ModelSim simulation.

Users may run the Aldec evaluation simulation by doing the following:

1. Open Active-HDL.
2. Under the console tab change the directory to `\<project_dir>\<username>\xaui_core_eval\<username>\sim\aldec`.
3. Execute the Active-HDL “do” scripts shown. The simulation waveform results will be displayed in the Active-HDL Wave window.

## Synthesizing and Implementing the Core in a Top-Level Design

The XAUI IP core itself is synthesized and is provided in NGO format when the core is generated. Users may synthesize the core in their own top-level design by instantiating the core in their top level as described previously and then synthesizing the entire design with either Synplify or Lattice Synthesis Engine.

Two example RTL top-level configurations supporting the XAUI IP core top-level synthesis and implementation are provided with the XAUI IP core in `\<project_dir>\<username>\xaui_core_eval\<username>\impl`.

The top-level file `<username>_core_only.v` provided in

`\<project_dir>\xaui_core_eval\<username>\src` supports the ability to implement just the XAUI IP core. This design is intended only to provide an accurate indication of the device utilization associated with the core itself and should not be used as an actual implementation example.

The top-level file `<username>_eval.v` provided in

`\<project_dir>\<username>\xaui_core_eval\<username>\src` supports the ability to instantiate, simulate, map, place and route the XAUI IP core in an example design that include packet generation and checking modules at the XGMII interface. This is the same configuration that is used in the evaluation simulation capability described previously.

Push-button implementation of both top-level configurations is supported via the Diamond project files, `<username>_core_only_eval.ldf` and `<username>_reference_eval.ldf`. These files are located in `\<project_dir>\<username>\xaui_core_eval\<username>\impl\synplify` or `lse`, for implementation using the Synplify or LSE synthesis tool respectively.

To use this project file in Diamond:

1. Choose **File > Open > Project**.
2. Browse to  
\`<project_dir>\<username>\xau_core_eval\<username>\impl\synplify` or `lse` in the Open Project dialog box.
3. Select and open `<username>_core_only_eval.ldf` or `<username>_reference_eval.ldf`. At this point, all of the files needed to support top-level synthesis and implementation will be imported to the project.
4. Select the **Process** tab in the left-hand GUI window.
5. Implement the complete design via the standard Diamond GUI flow.

## Hardware Evaluation

The XAUI IP core supports Lattice's IP hardware evaluation capability, which makes it possible to create versions of the IP core that operate in hardware for a limited period of time (approximately four hours) without requiring the purchase of an IP license. It may also be used to evaluate the core in hardware in user-defined designs.

### Enabling Hardware Evaluation in Diamond

Choose **Project > Active Strategy > Translate Design Settings**. The hardware evaluation capability may be enabled/disabled in the Strategy dialog box. It is enabled by default.

## Updating/Regenerating the IP Core

By regenerating an IP core with the IPexpress/ Clarity Designer tool, you can modify any of its settings including device type, design entry method, and any of the options specific to the IP core. Regenerating can be done to modify an existing IP core or to create a new but similar one.

### Regenerating an IP Core in Diamond

*To regenerate an IP core in Diamond:*

1. In IPexpress, click the **Regenerate** button.
2. In the Regenerate view of IPexpress, choose the IPX source file of the module or IP you wish to regenerate.
3. IPexpress shows the current settings for the module or IP in the Source box. Make your new settings in the **Target** box.
4. If you want to generate a new set of files in a new location, set the new location in the **IPX Target File** box. The base of the file name will be the base of all the new file names. The IPX Target File must end with an `.ipx` extension.
5. Click **Regenerate**. The module's dialog box opens showing the current option settings.
6. In the dialog box, choose the desired options. To get information about the options, click **Help**. Also, check the About tab in IPexpress for links to technical notes and user guides. IP may come with additional information. As the options change, the schematic diagram of the module changes to show the I/O and the device resources the module will need.
7. To import the module into your project, if it's not already there, select **Import IPX to Diamond Project** (not available in stand-alone mode).
8. Click **Generate**.
9. Check the Generate Log tab to check for warnings and error messages.
10. Click **Close**.



The IPexpress package file (.ipx) supported by Diamond holds references to all of the elements of the generated IP core required to support simulation, synthesis and implementation. The IP core may be included in a user's design by importing the .ipx file to the associated Diamond project. To change the option settings of a module or IP that is already in a design project, double-click the module's .ipx file in the File List view. This opens IPexpress and the module's dialog box showing the current option settings. Then go to step 6 above.

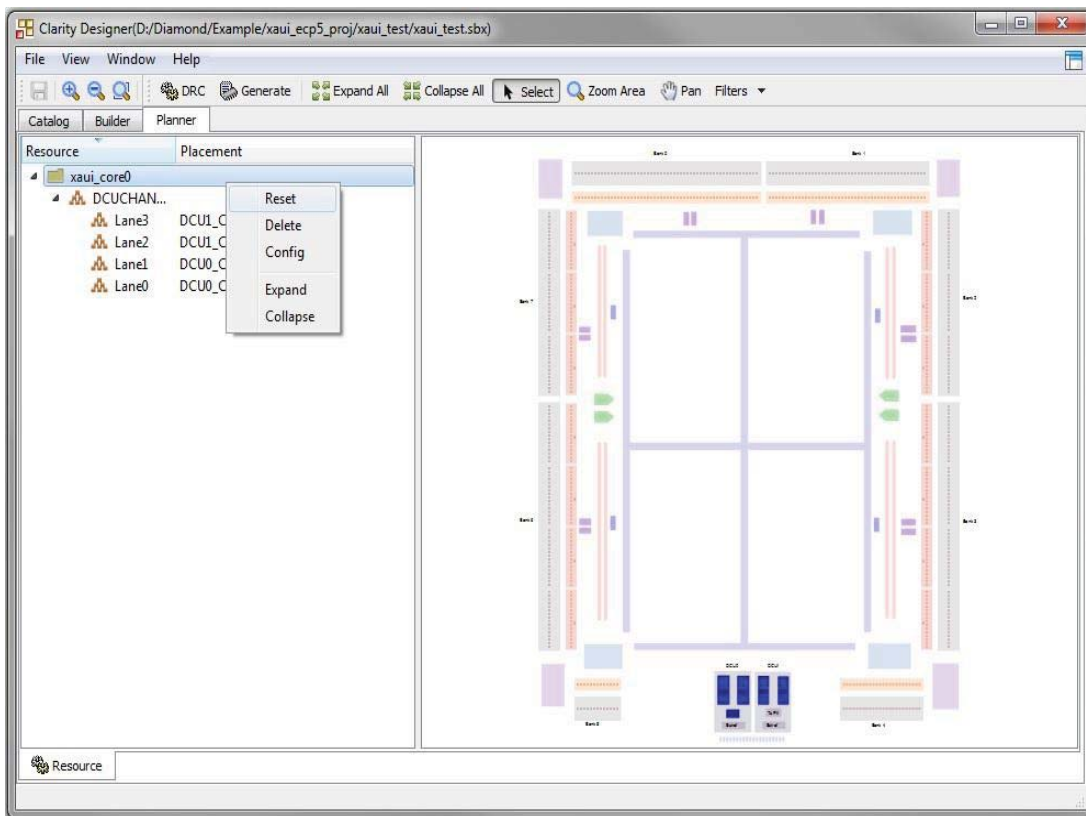
### Regenerating an IP Core using Clarity Designer

It is possible to remove, reconfigure and change the placement of an existing IP core instance using Clarity Designer tool. When the user right clicks on a generated IP core entry in the Planner tab, the selection options shown in Figure 4-11 are displayed. These options support the following capabilities:

- **Reset** – The present IP core placement is cleared and the IP core may be re-placed at any available site.
- **Delete** – The IP core instance is completely deleted from the project.
- **Config** – The IP core GUI is displayed and IP settings may be modified.
- **Expand** – Expands the view to show Placement information for IP core resource.
- **Collapse** – Collapses the view to with no placement information for IP resource.

After re-configuring or changing the placement of an IP core, the user must click Generate to implement the changes in the project design files.

**Figure 4-11. Regenerating the IP Core in Clarity Designer**





# Support Resources

This chapter contains information about Lattice Technical Support, additional references, and document revision history.

## Lattice Technical Support

Submit a technical support case via [www.latticesemi.com/techsupport](http://www.latticesemi.com/techsupport).

## References

- IEEE Std. 802.3-2005, *Part 3: Carrier Sense Multiple Access with Collision Detection (CSMA/CD) Access Method and Physical Layer Specifications*, December 9, 2005.
- TN1084, [LatticeSC SERDES Jitter](#)

## LatticeECP3

- DS1021, [LatticeECP3 Family Data Sheet](#)

## ECP5

- DS1044, [ECP5 Family Data Sheet](#)
- TN1261, [ECP5 SERDES/PCS Usage Guide](#)

## Revision History

Date	Document Version	IP Core Version	Change Summary
April 2015	1.0	2.0	Initial release.



## Resource Utilization

This appendix gives resource utilization information for Lattice FPGAs using the XAUI IP core.

IPexpress is the Lattice IP configuration utility, and is included as a standard feature of the Diamond and ispLEVER design tools. Details regarding the usage of IPexpress can be found in the IPexpress and Diamond or ispLEVER help system. For more information on the Diamond or ispLEVER design tools, visit the Lattice web site at: [www.latticesemi.com/software](http://www.latticesemi.com/software).

### LatticeECP3 FPGAs

**Table A-1. Performance and Resource Utilization<sup>1</sup>**

Configuration				Utilization			
Device	TX Slip Buffer	RX Slip Buffer	MDIO	SLICES	LUTs	Registers	EBRs
LFE3-17EA-7FN484C	No	No	No	1407	2014	1495	0
LFE3-95E-7FN672C	Yes	Yes	No	2211	2549	2903	4
LFE3-150EA-7 FN1156C	Yes	Yes	Yes	2334	2700	3068	4

1. Performance and utilization data are generated using Lattice Diamond 3.3 and Synplify Pro for Lattice F-2014.03L-SP1 beta software. Performance may vary when using a different software version or targeting a different device density or speed grade within the LatticeECP3 family.

### Ordering Part Number

The Ordering Part Number (OPN) for the XAUI IP core targeting LatticeECP3 devices is XAUI-E3-U1.

### ECP5 FPGAs

**Table A-2. Performance and Resource Utilization<sup>1</sup>**

Configuration				Utilization			
Device	TX Slip Buffer	RX Slip Buffer	MDIO	SLICES	LUTs	Registers	EBRs
LFE5UM-45F-7BG554C	No	No	No	1472	2263	1624	0
LFE5UM-85F-7BG756C	Yes	Yes	Yes	2511	3080	3225	4

1. Performance and utilization data are generated using Lattice Diamond 3.3 and Synplify Pro for Lattice F-2014.03L-SP1 beta software. Performance may vary when using a different software version or targeting a different device density or speed grade within the ECP5 family.

### Ordering Part Number

The Ordering Part Number (OPN) for the XAUI IP core targeting ECP5 devices is XAUI-E5-U for Single Design License and XAUI-E5-UT for Site License.

# Mouser Electronics

Authorized Distributor

Click to View Pricing, Inventory, Delivery & Lifecycle Information:

Lattice:

[XAUI-E3-U1](#) [XAUI-E3-UT1](#) [XAUI-E5-UT](#) [XAUI-E5-U](#)