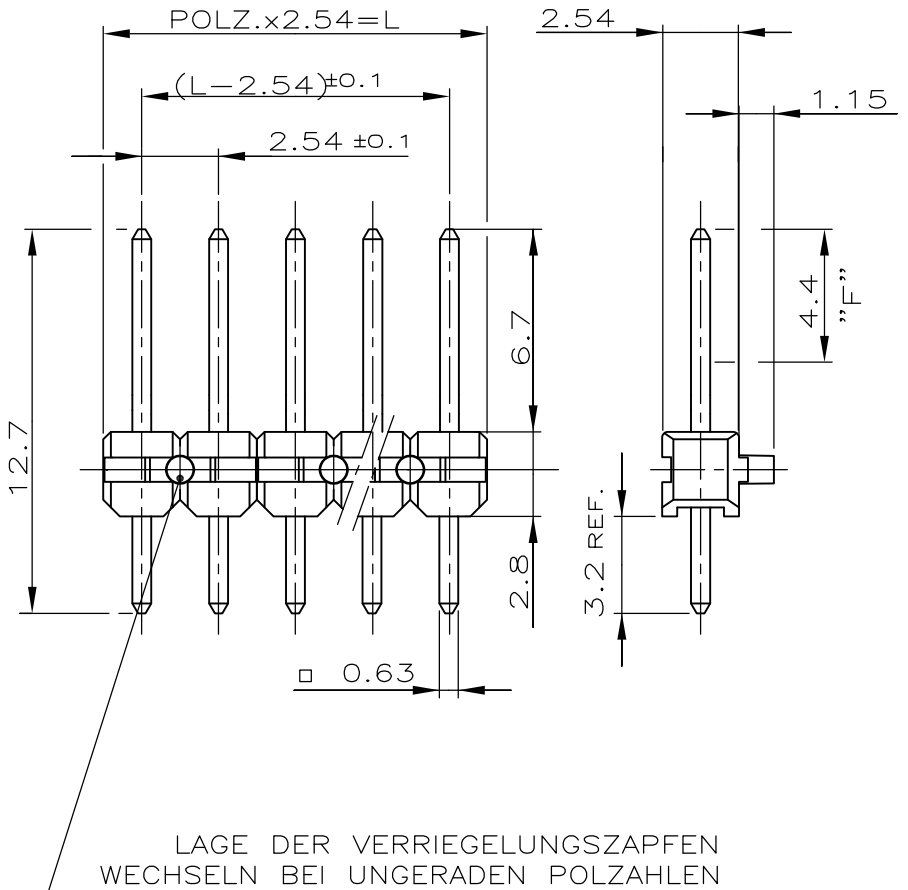


WAR NR. -	LOC	DIST	REVISIONS			DATE	DWN	APVD
VERWENDET FÜR -	-	-	P	LTR	DESCRIPTION			
ÄNDERUNGEN, DIE DEM TECHNISCHEN FORTSCHRITT DIENEN, BEHALTEN WIR UNS VOR			S		BESCHREIBUNG	27MAY2014	TJ	JK
					CONTACT PIN MATERIAL CHANGED FROM CuSn (Phosphor bronze) TO CuZn (Brass). PLATING CHANGED FROM MIN. 0.8µm GOLD PLATING TO MIN. 0.7µm PdNi+0.1µm GOLD FLASH AT CONTACT AREA.			

POLZ.	L±0.5	BESTELL-NR.
1	2.54	△ -1
2	5.08	825 433 -2
3	7.62	-3
4	10.16	-4
5	12.70	-5
6	15.24	-6
7	17.78	-7
8	20.32	-8
9	22.86	-9
10	25.40	1- -0
11	27.94	1- -1
12	30.48	1- -2
13	33.02	1- -3
14	35.56	1- -4
15	38.10	1- -5
16	40.64	1- -6
17	43.18	1- -7
18	45.72	1- -8
19	48.26	1- -9
20	50.80	2- -0
21	53.34	2- -1
22	55.88	2- -2
23	58.42	2- -3
24	60.96	2- -4
25	63.50	2- -5
26	66.04	2- -6
27	68.58	2- -7
28	71.12	2- -8
29	73.66	2- -9
30	76.20	3- -0
31	78.74	3- -1
32	81.28	3- -2
33	83.82	3- -3
34	86.36	3- -4
35	88.90	3- -5
36	91.44	3- -6
37	93.98	3- -7
38	96.52	3- -8
39	99.06	3- -9
40	101.60	4- -0
41	104.14	4- -1
42	106.68	4- -2
43	109.22	4- -3
44	111.76	4- -4
45	114.30	4- -5
46	116.84	4- -6
47	119.38	4- -7
48	121.92	4- -8
49	124.46	4- -9
50	127.00	5- 825 433 -0



- △1 MIN. 0.7µm PdNi+0.1µm GOLD FLASH AT CONTACT AREA "F".
MIN. 2.5µm TIN OVER 1.27µm NICKEL AT SOLDER AREA.
- △2 VARIANTE 825433-1 ERSETZT DURCH 826629-1
- △3 OBSOLETE PARTS
- △4 OBSOLETE PARTS: OBSOLETE CIS STREAMLINING PER D.RENAUD/D.SINISI

CONTACT PIN	Cu Zn	△
HOUSING	PBT GV	GREEN
DESCRIPTION	MATERIAL	COLOR FINISH

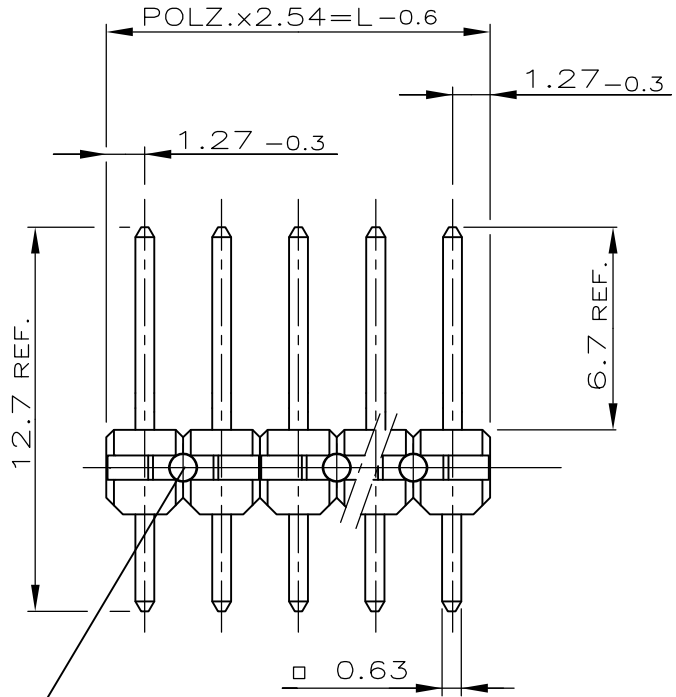
RELEASED FOR PUBLICATION
 VERLEHREND VERÖFFENTLICHUNG
 ALL RIGHTS RESERVED.
 VERLEHREND UNVERÖFFENTLICHE ZEICHNUNG
 COPYRIGHT ©

CAD-ORIGINAL ZEICHNUNG NICHT ÄNDERN	ZEICHNUNG GÜLTIG AB	39/96..
DWY A.HO 10.05.84	MATERIAL -	FINISH OBERFLAECHE/FARBE -
CHK M.SCHAARSCHMIDT 10.05.84	TE Connectivity	
APVD W.MORITZ 10.05.84		
PRODUCT SPEC PRODUKTSPEZ 108-18012	NAME AMPMODU II PIN HEADER	
APPLICATION SPEC VERARBEITUNGSSPEZ. -	SIZE A4	CAGE CODE 00779
WEIGHT GEWICHT -	DRAWING NO ZEICHNUNGS-NR. C-825433	RESTRICTED TO NUR FUER -
CUSTOMER DRAWING /KUNDENZEICHNUNG	SCALE MASSSTAB 4:1	SHEET BLATT 1 OF VON 2
		REV S

DIMENSIONS: MASSENHEITEN mm	±0.2 mm
TOLERANCES UNLESS OTHERWISE SPECIFIED: ALLGEMEINTOLERANZEN	
0 PLC	± -
1 PLC	± -
2 PLC	± -
3 PLC	± -
4 PLC	± -
ANGLES /WINKEL	± .

LOC	DIST	REVISIONS					
—	—	P	LTR	DESCRIPTION	DATE	DWN	APVD
VERWENDET FÜR —		—	—	SEE SHEET 1	—	—	—
WAR NR. —							

POLZ.	L - 0.6	BESTELL-NR.
2	5.08	-2
3	7.62	5-825 433-3
4	10.16	5- -4
5	12.70	5- -5
6	15.24	5- -6
7	17.78	5- -7
8	20.32	5- -8
9	22.86	5- -9
10	25.40	6- -0
11	27.94	6- -1
12	30.48	6- -2
13	33.02	6- -3
14	35.56	6- -4
15	38.10	6- -5
16	40.64	6- -6
17	43.18	6- -7
18	45.72	6- -8
19	48.26	6- -9
20	50.80	7- -0
21	53.34	7- -1
22	55.88	7- -2
23	58.42	7- -3
24	60.96	7- -4
25	63.50	7- -5
26	66.04	7- -6
27	68.58	7- -7
28	71.12	7- -8
29	73.66	7- -9
30	76.20	8- -0
31	78.74	8- -1
32	81.28	8- -2
33	83.82	8- -3
34	86.36	8- -4
35	88.90	8- -5
36	91.44	8- -6
37	93.98	8- -7
38	96.52	8- -8
39	99.06	8- -9
40	101.60	9- -0
41	104.14	9- -1
42	106.68	9- -2
43	109.22	9- -3
44	111.76	9- -4
45	114.30	9- -5
46	116.84	9- -6
47	119.38	9- -7
48	121.92	9- -8
49	124.46	9- -9
50	127.00	5- -0



LAGE DER VERRIEGELUNGSZAPFEN WECHSELN BEI UNGERADEN POLZAHLEN

BENENNUNG	WERKSTOFF	OBERFLÄCHE FARBE
-----------	-----------	------------------

CAD-ORIGINAL
ZEICHNUNG NICHT ÄNDERN

ZEICHNUNG GÜLTIG AB 39./96.

THIS DRAWING IS UNPUBLISHED. ALL RIGHTS RESERVED. RELEASED FOR PUBLICATION.

DIMENSIONS: mm	DWN A.HO 14.08.90	MATERIAL	FINISH
TOLERANCES UNLESS OTHERWISE SPECIFIED: ±0.2 mm	CHK M.SCHAARSCHMIDT	TE Connectivity	
0 PLC ± -	APVD		
1 PLC ± -	PRODUCT SPEC	NAME AMPMODU II PIN HEADER	
2 PLC ± -	APPLICATION SPEC	SIZE	CAGE CODE
3 PLC ± -		A4	00779
4 PLC ± -		DRAWING NO C-825433	
ANGLES ± -	WEIGHT	RESTRICTED TO	
		—	
CUSTOMER DRAWING	SCALE 4:1	SHEET 2 OF 2	REV S

Mouser Electronics

Authorized Distributor

Click to View Pricing, Inventory, Delivery & Lifecycle Information:

[TE Connectivity:](#)

[2-825433-2](#)