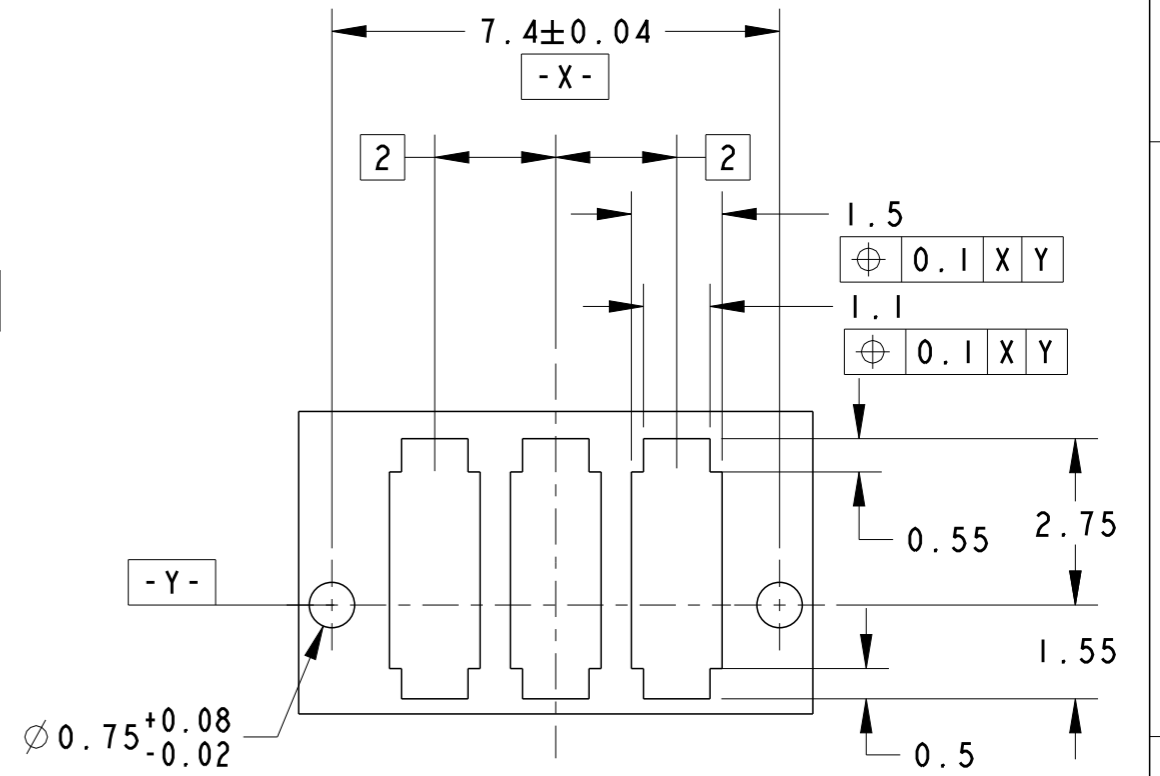
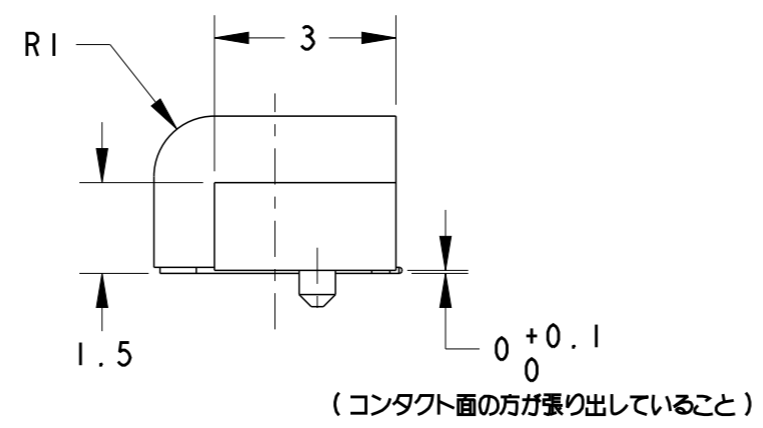
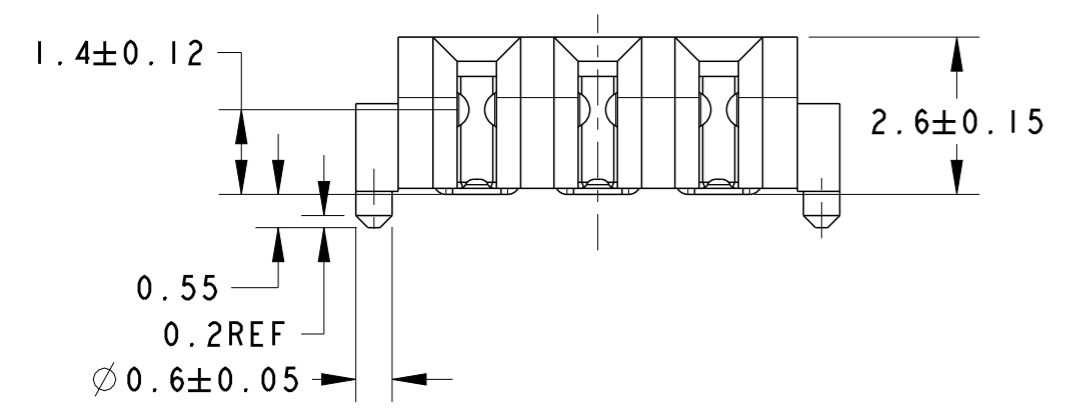
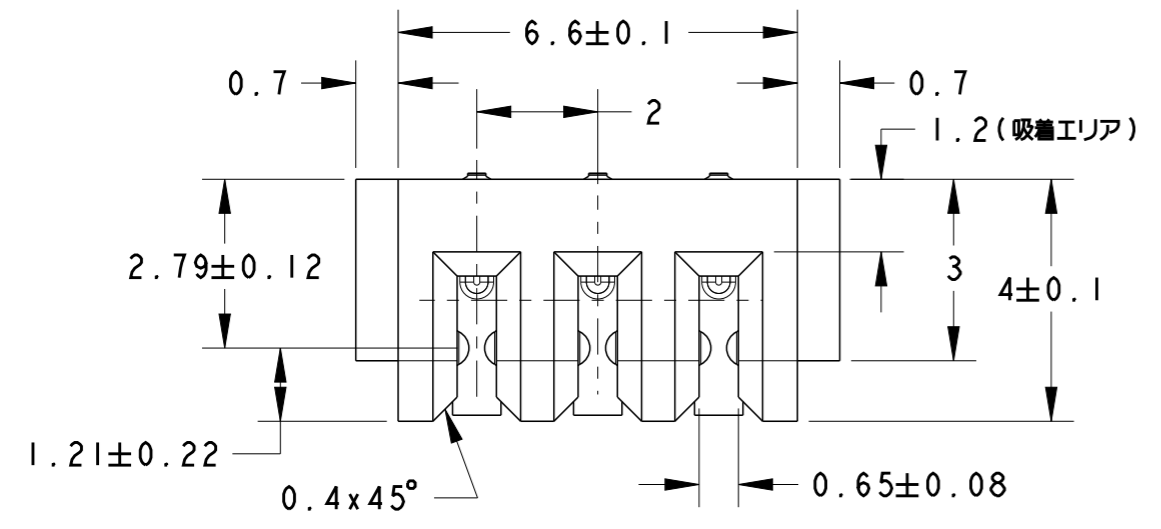
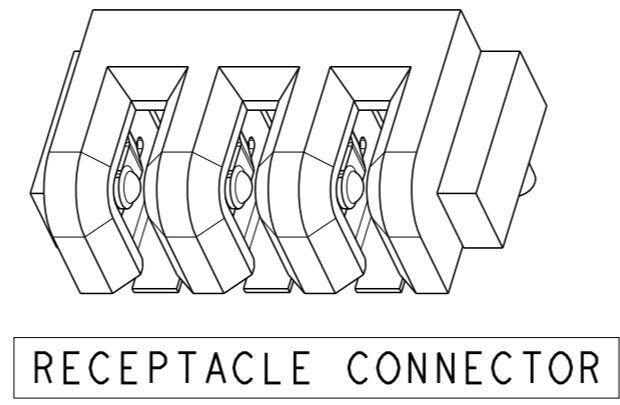


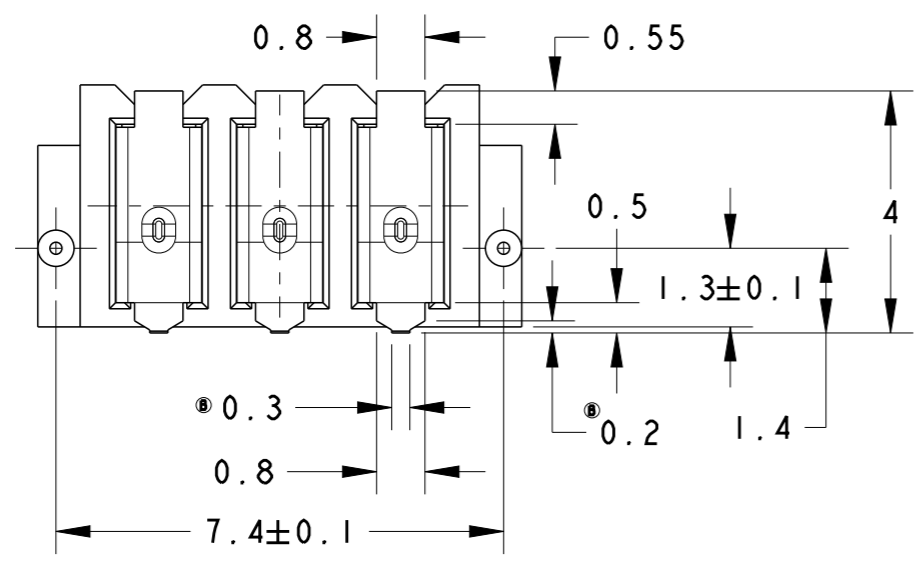
THIS DRAWING IS UNPUBLISHED. RELEASED FOR PUBLICATION 20
 © COPYRIGHT 2002 BY TYCO ELECTRONICS CORPORATION. ALL RIGHTS RESERVED.

LOC	DIST	REVISIONS			
P	LTR	DESCRIPTION	DATE	DWN	APVD
J	-	B	REVISED	30MAR2010	Y. H Y. N

- 1 ; 本図
 - 1 ; AS SHOWN



- ① 材料
 ハウジング; 熱可塑性樹脂, UL 94V-0, 黒
 コンタクト; 銅合金
- ② 仕上げ
 コンタクト; 全面ニッケル下地めっき
 接触部; 金めっき
 半田付け部; 金フラッシュ
- ① MATERIAL
 HOUSING; THERMOPLASTIC RESIN, UL94V-0, BLACK
 CONTACT; COPPER ALLOY
- ② FINISH
 CONTACT; ALL OVER Ni UNDER PLATING.
 CONTACT AREA; GOLD PLATING
 SOLDERING AREA; GOLD FLASH



THIS DRAWING IS A CONTROLLED DOCUMENT FOR TYCO ELECTRONICS CORPORATION
 IT IS SUBJECT TO CHANGE AND THE CONTROLLING ENGINEERING ORGANIZATION
 SHOULD BE CONTACTED FOR THE LATEST REVISION.

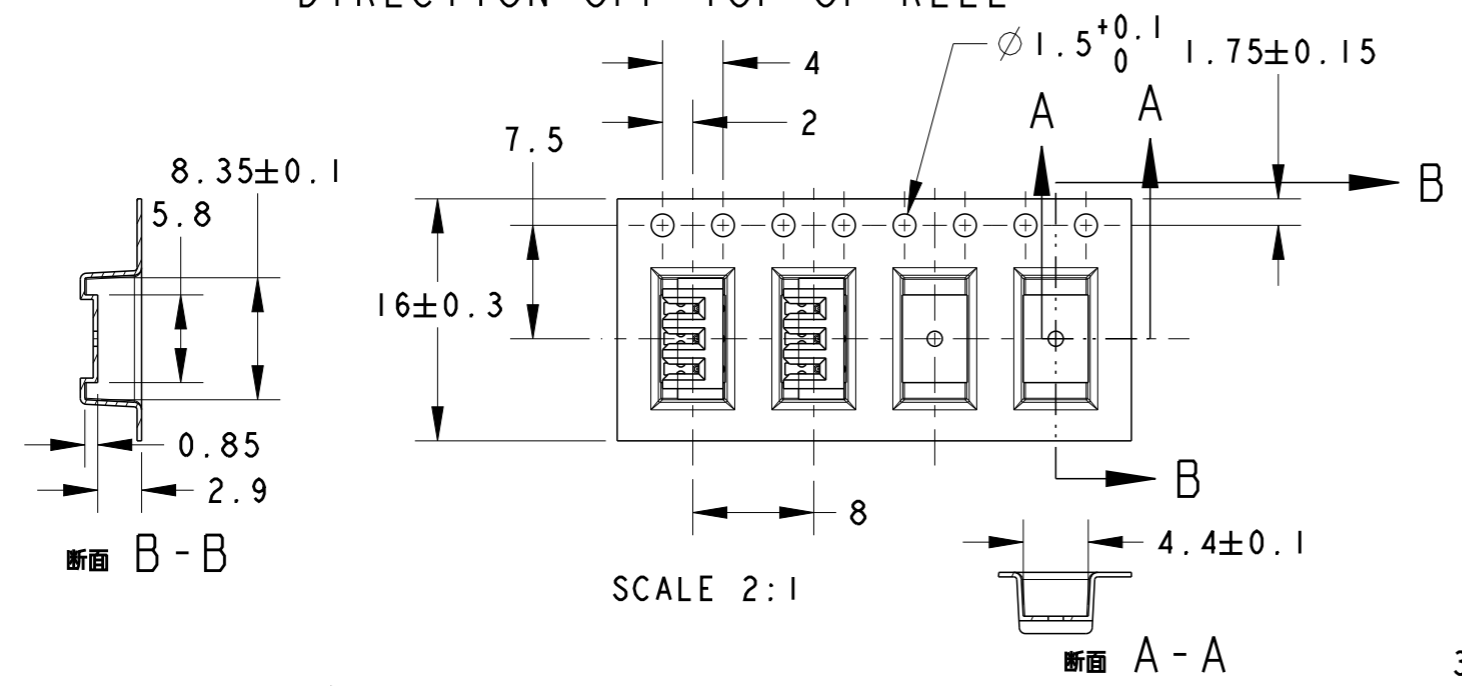
DIMENSIONS:	TOLERANCES UNLESS OTHERWISE SPECIFIED:
mm	0 PLC ±0.2
	1 PLC ±0.2
	2 PLC ±0.2
	3 PLC ±0.2
	4 PLC ±0.2
	ANGLES ±2
MATERIAL	FINISH
①	②

DWN C. OHASHI 20SEP2002	Tyco Electronics Corporation. Kawasaki, Japan	
CHK K. Ikegami 25SEP2002	NAME BATTERY BLOCK CONNECTOR RECEPTACLE ASSY 3POS 2MM PITCH	
APVD K. KODAIRA 25SEP2002	SIZE A3	CAGE CODE 00779
PRODUCT SPEC 108-5846	DRAWING NO C-1612901	RESTRICTED TO -
APPLICATION SPEC	WEIGHT 0.12g	SCALE 8/1
CUSTOMER DRAWING	SHEET 1	OF 2
	REV B	

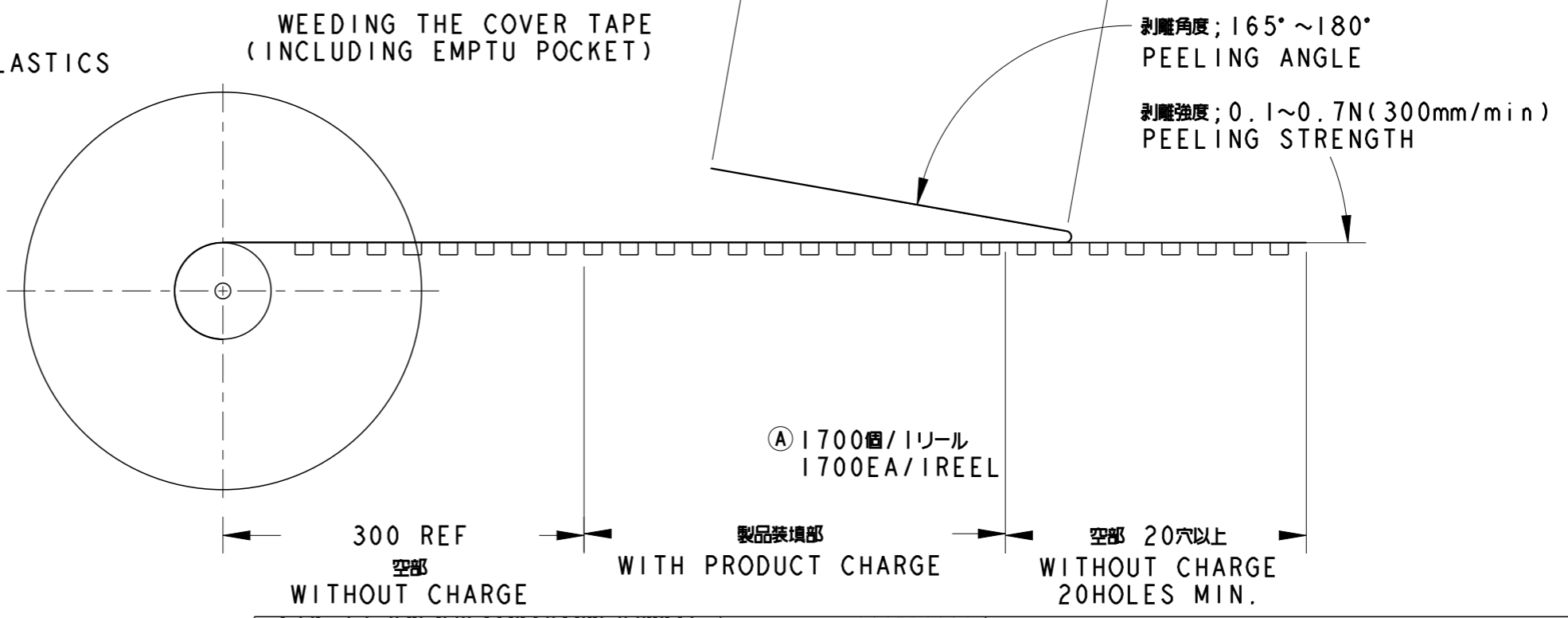
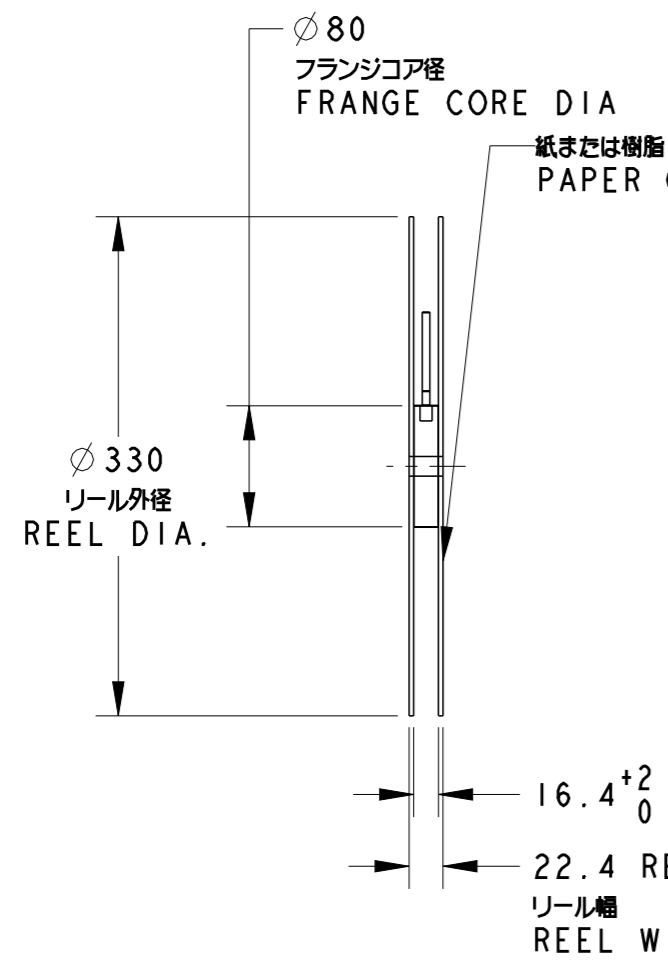
THIS DRAWING IS UNPUBLISHED. RELEASED FOR PUBLICATION 20
 © COPYRIGHT 2002 BY TYCO ELECTRONICS CORPORATION. ALL RIGHTS RESERVED.

LOC	DIST	REVISIONS					
		P	LTR	DESCRIPTION	DATE	DWN	APVD
J	-		-	SEE SHEET 1			

テープ引き出し方向
 DIRECTION OFF TOP OF REEL



SCALE 2:1



300 REF 空部 WITHOUT CHARGE
 製品装填部 WITH PRODUCT CHARGE
 空部 20穴以上 WITHOUT CHARGE 20HOLES MIN.

<small>THIS DRAWING IS A CONTROLLED DOCUMENT FOR TYCO ELECTRONICS CORPORATION. IT IS SUBJECT TO CHANGE AND THE CONTROLLING ENGINEERING ORGANIZATION SHOULD BE CONTACTED FOR THE LATEST REVISION.</small>		DWN 20SEP2002 C. OHASHI CHK 25SEP2002 K. IKEGAMI APVD 25SEP2002 K. KODAIRA PRODUCT SPEC 108-5846 APPLICATION SPEC	Tyco Electronics Tyco Electronics Corporation. Kawasaki, Japan
DIMENSIONS: mm 	TOLERANCES UNLESS OTHERWISE SPECIFIED: 0 PLC ±0.2 1 PLC ±0.2 2 PLC ±0.2 3 PLC ±0.2 4 PLC ±0.2 ANGLES ±2 FINISH	NAME BATTERY BLOCK CONNECTOR REEPTACLE ASSY 3POS 2MM PITCH	RESTRICTED TO -
MATERIAL		WEIGHT 0.12g SIZE A3 CAGE CODE 00779 DRAWING NO C-1612901	
CUSTOMER DRAWING		SCALE 8/1	SHEET 2 OF 2 REV B

Mouser Electronics

Authorized Distributor

Click to View Pricing, Inventory, Delivery & Lifecycle Information:

[TE Connectivity:](#)

[1612901-1](#)