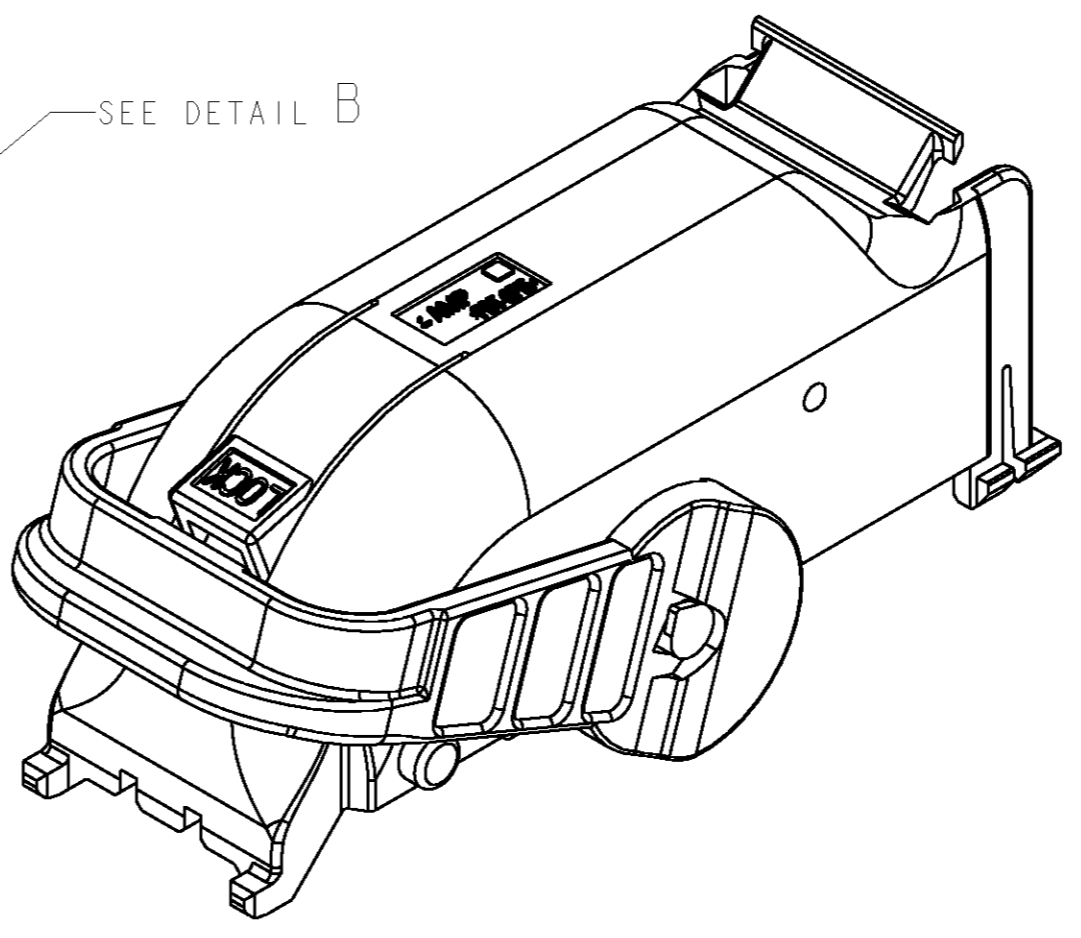
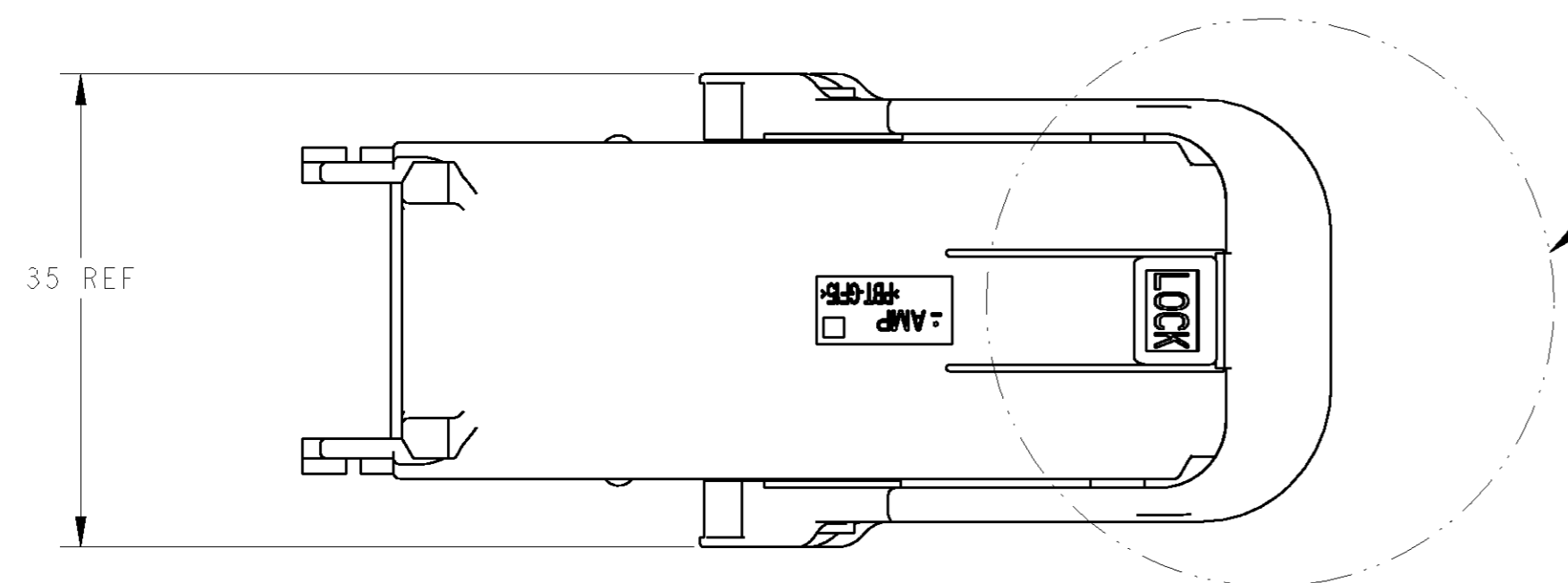


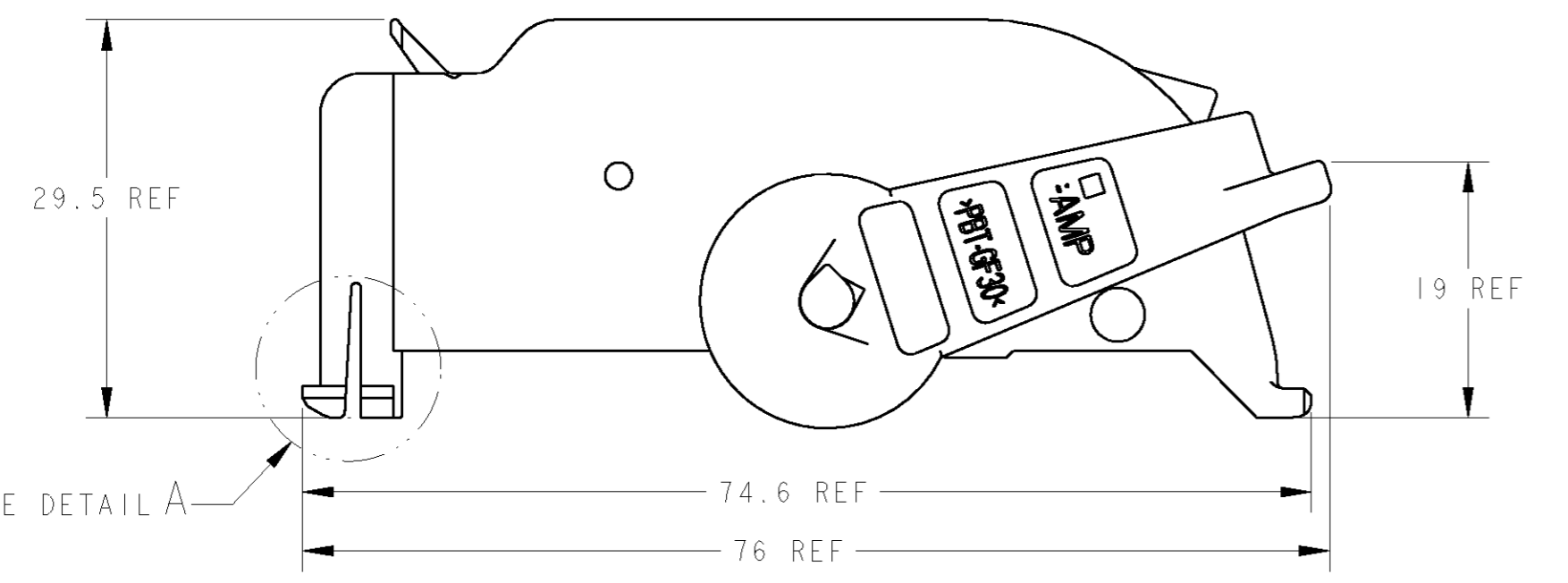
THIS DRAWING IS UNPUBLISHED. RELEASED FOR PUBLICATION 20
 © COPYRIGHT 20 BY TYCO ELECTRONICS CORPORATION. ALL RIGHTS RESERVED.

LOC J
 DIST

REVISONS					
P	LTR	DESCRIPTION	ECN	DATE	APVD
0		RELEASED	FJ00-2386-01	10OCT2001	Y.K N.S
01		ADD "-2" NO SLIT TYPE	ECR-05-000427	10MAR2005	S.Y Y.F
A		ADD LONG LEVER TYPE	ECR-07-010628	07MAY07	T.J Y.F

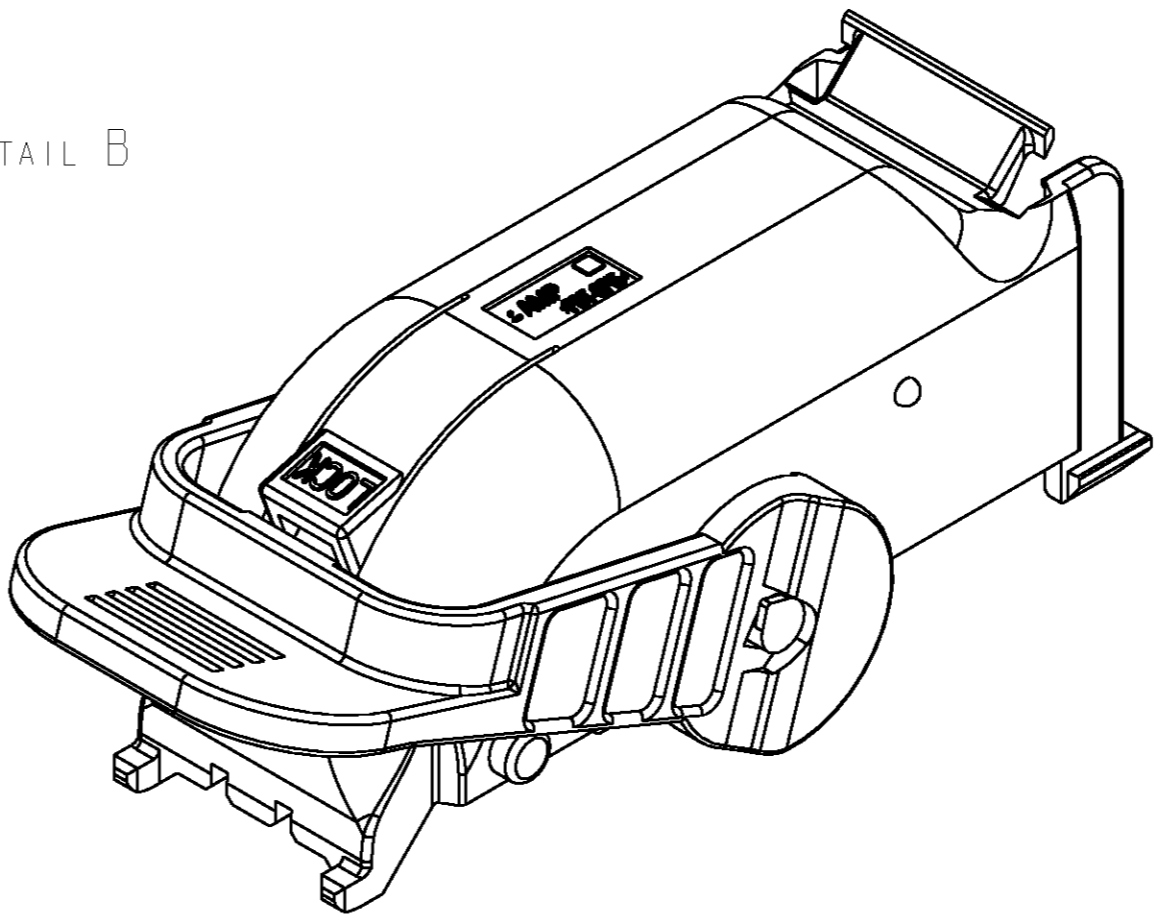
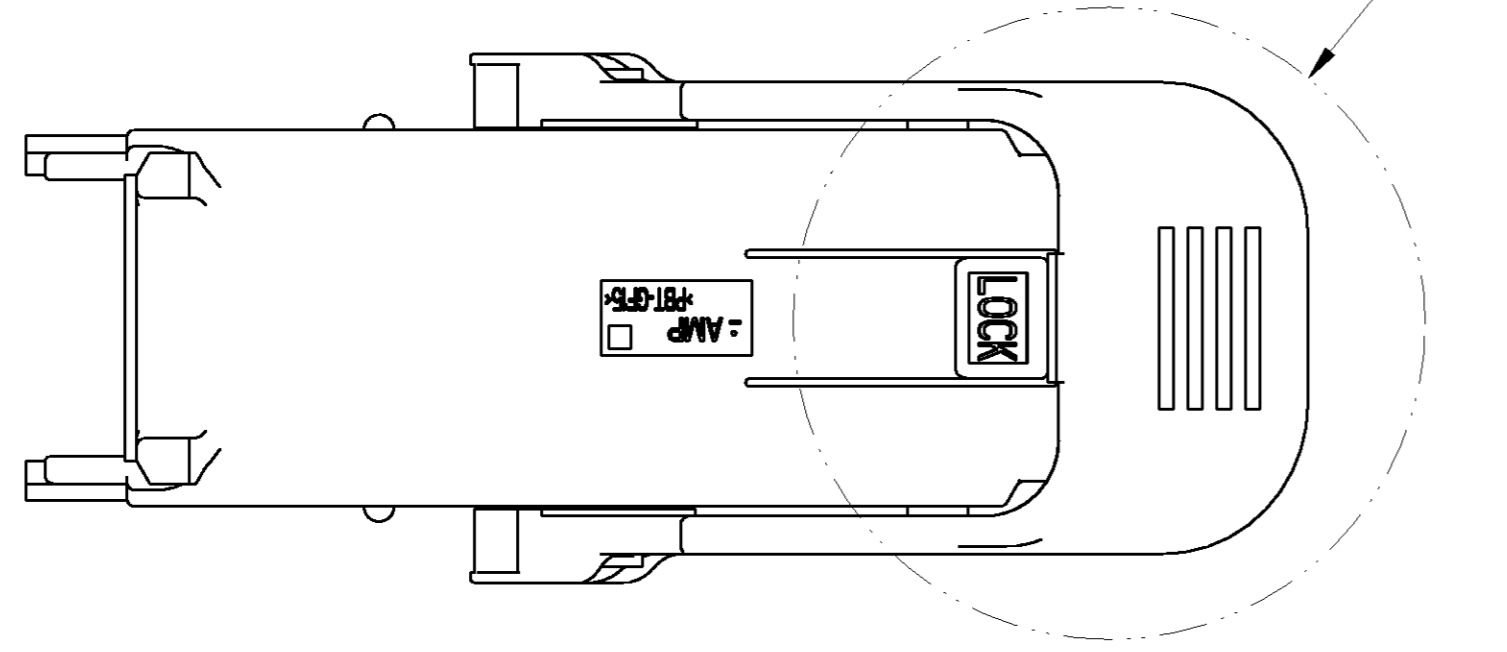


DETAIL A	SLIT TYPE	NO SLIT TYPE
TYPE	SLIT TYPE	NO SLIT TYPE
P/N	1473250-1	1473250-2, -3



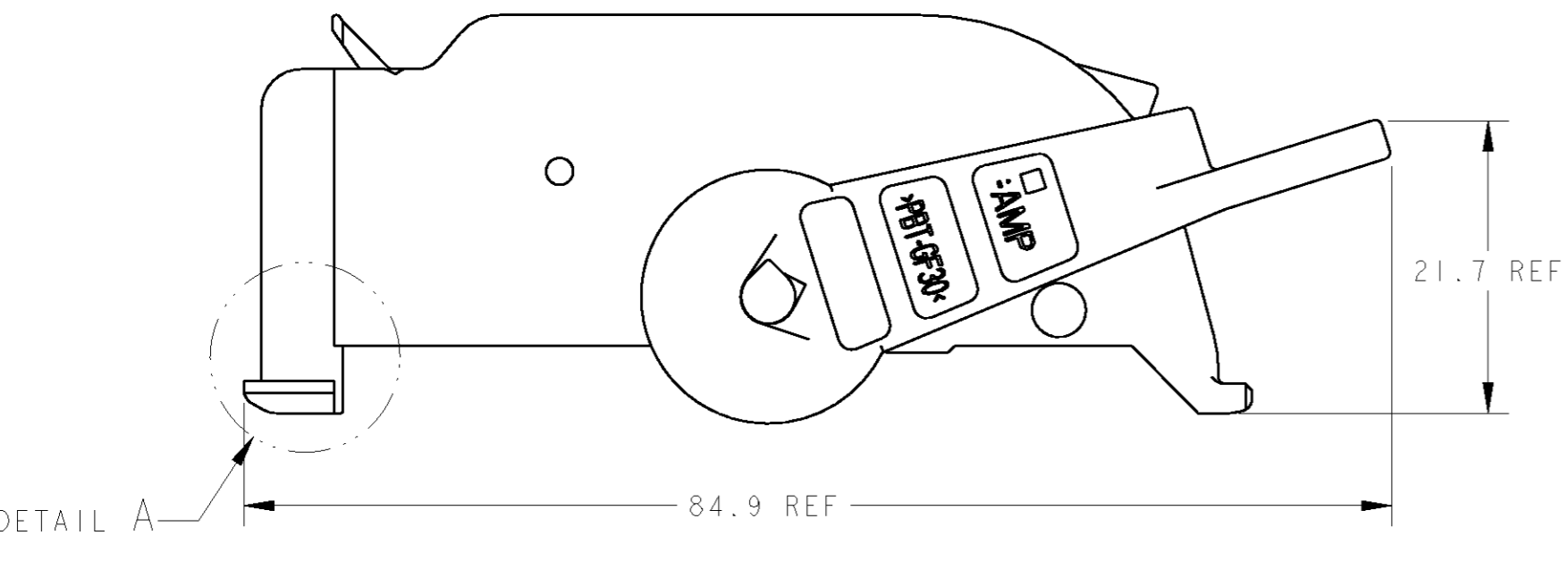
STANDARD LEVER TYPE

DETAIL B	STANDARD LEVER TYPE	LONG LEVER TYPE
TYPE	STANDARD LEVER TYPE	LONG LEVER TYPE
P/N	1473250-1, -2	1473250-3



LONG LEVER TYPE

1. PART NUMBER OF PLUG HOUSING ASSEMBLY TO BE APPLIED ; SEE PRODUCT SPEC
 2. INSTRUCTION SHEET NO ; 411-78008, 411-78142
 1. 適用プラグハウジングアッセンブリ型番は、製品規格参照のこと。
 2. 取扱説明書 NO ; 411-78008, 411-78142



1	-	-	LEVER (LONG TYPE)	WHITE	2
-	1	1	LEVER (STANDARD TYPE)	BLACK	
1	1	-	HARNESS COVER (NO SLIT)	BLACK	1
-	-	1	HARNESS COVER (SLIT)	BLACK	
-3	-2	-1	PART NAME	FINISH/COLOR	NO

THIS DRAWING IS A CONTROLLED DOCUMENT FOR TYCO ELECTRONICS CORPORATION IT IS SUBJECT TO CHANGE AND THE CONTROLLING ENGINEERING ORGANIZATION SHOULD BE CONTACTED FOR THE LATEST REVISION.		DWN T. JIANG 07MAY07 CHK Y. NOGUCHI 07MAY07 APVD Y. FUJIWARA 07MAY07	Tyco Electronics Corporation Kawasaki, Japan
DIMENSIONS: 単位: ㎜	TOLERANCES UNLESS OTHERWISE SPECIFIED: 一般公差: ±0.3 0-PLC ±0.5 1-PLC ±0.13 2-PLC ±0.13 3-PLC ±0.013 4-PLC ±0.0001 ANGLES ±3°00'	PRODUCT SPEC 108-5793, 108-5977 APPLICATION SPEC 114-18021, 114-18050	NAME LEVER ASSY TYPE-B SEALED 8IPOS. PLUG HSG MQS CLEAN BODY/JPT
MATERIAL 材料 PBT	FINISH 仕上 見 TABLE	WEIGHT 14.5g	SIZE A2 CAGE CODE 00779 DRAWING NO. 1473250 RESTRICTED TO
CUSTOMER DRAWING		SCALE 2:1	SHEET 1 OF 1 REV A

Mouser Electronics

Authorized Distributor

Click to View Pricing, Inventory, Delivery & Lifecycle Information:

[TE Connectivity:](#)

[1473250-1](#)