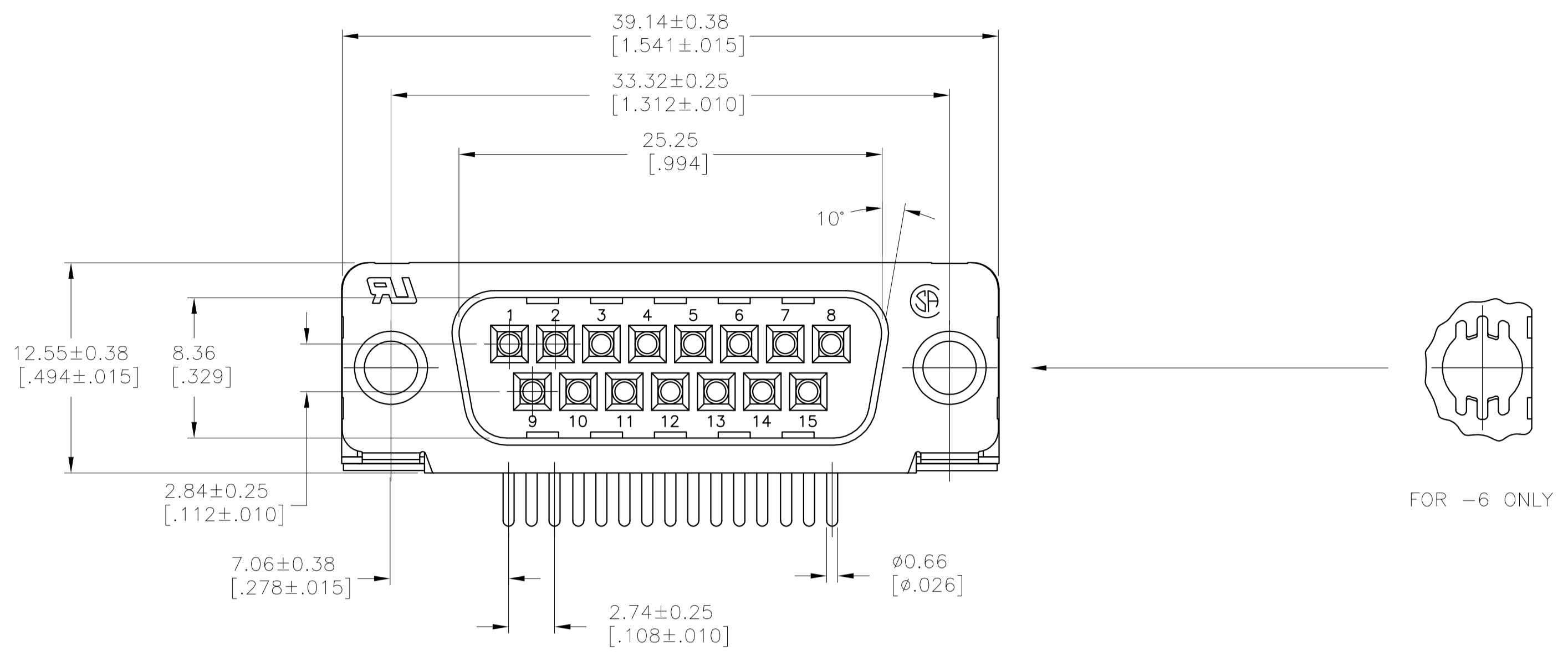


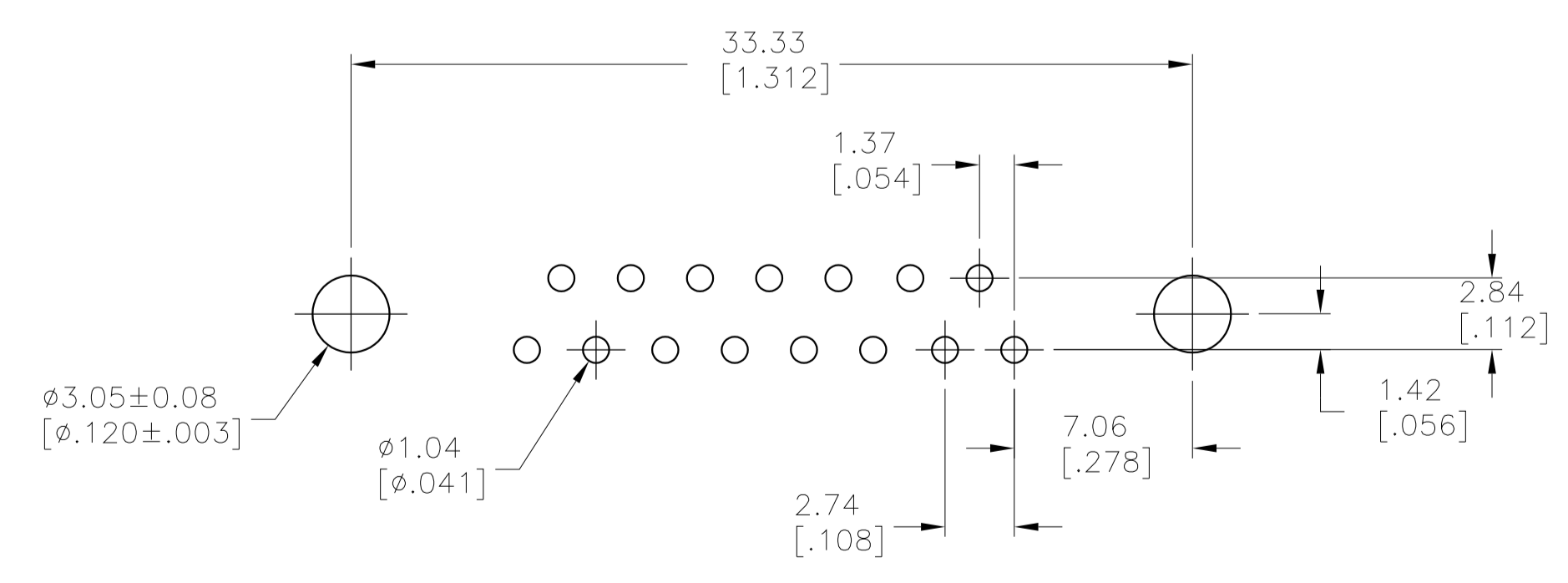
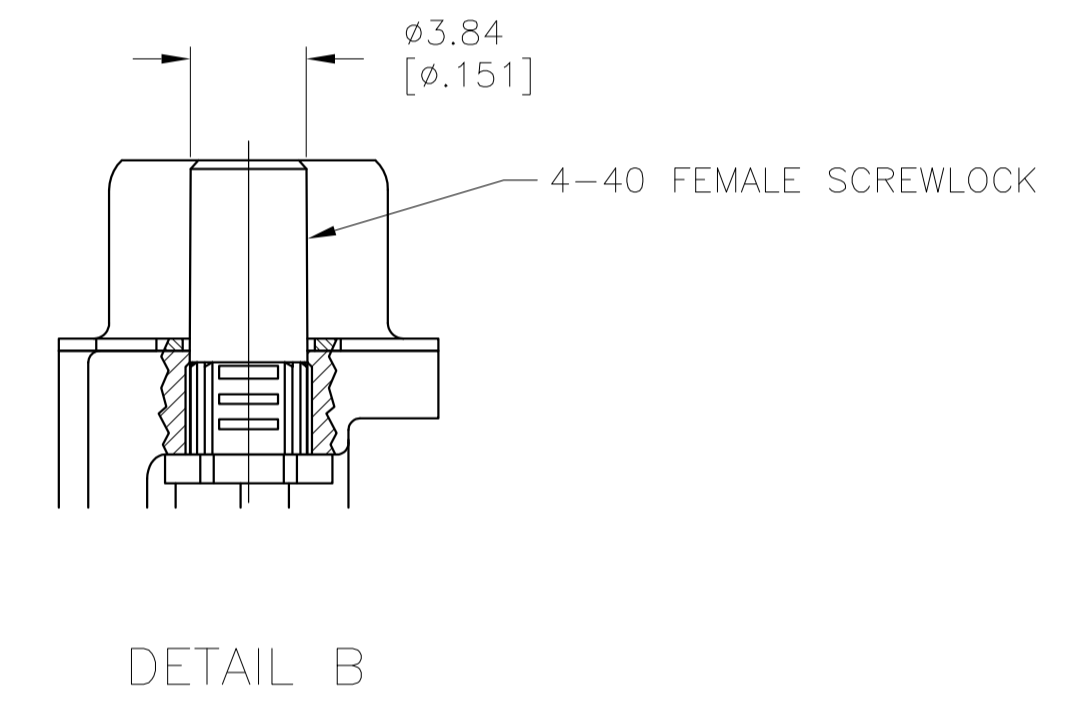
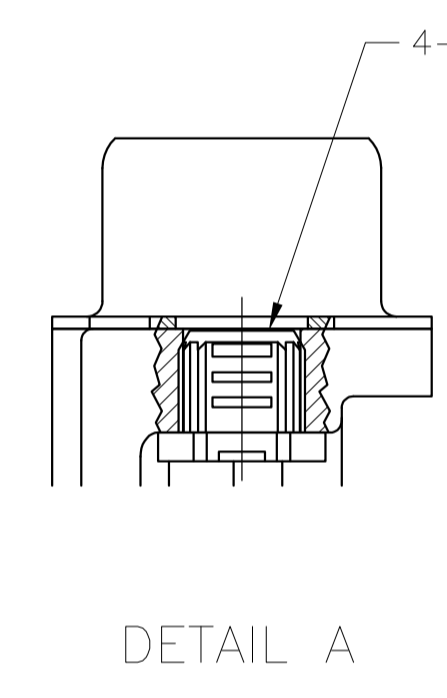
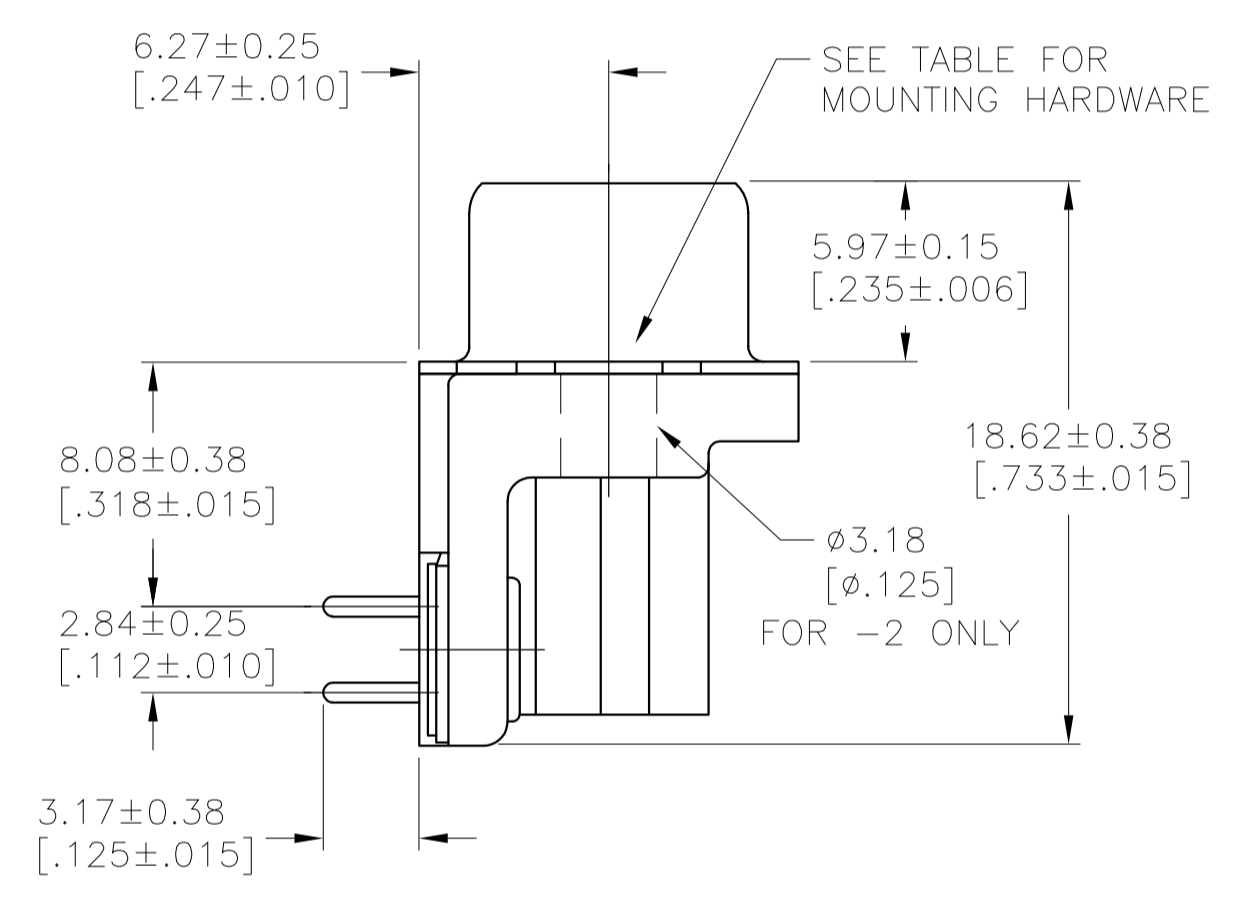
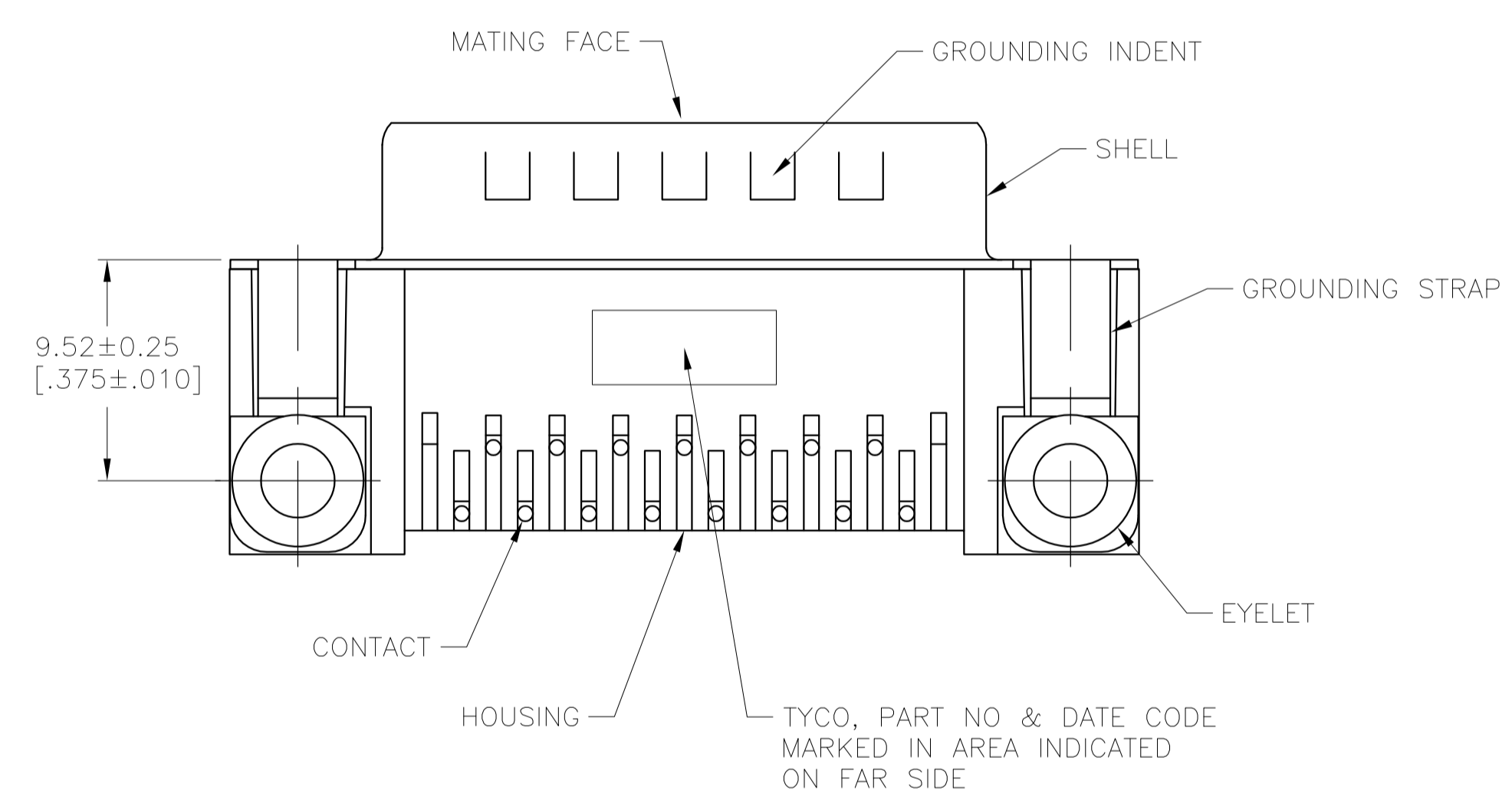
LOC		DIST		REVISIONS			
GP	00	REV	DATE	BY	CHK	APPV	
C		REVISED PER ECO-12-022391	02JAN2013	CJV	SLB		



⚠ HOUSING: NYLON OR POLYESTER, FLAME RETARDANT, 94V-0 RATED, COLOR BLACK.  
 SHELL: CARBON STEEL.  
 CONTACTS: BRASS.  
 EYELETS: BRASS.  
 INSERTS: ZINC.  
 SCREWLOCKS: ZINC.

⚠ SHELL: 0.00254[.000100] MIN TIN OVER 0.00127[.000050] MIN COPPER.  
 CONTACTS: 0.76µm (.000030) MIN GOLD PLATE ON THE MATING SURFACES, 2.54µm (.000100) MIN TIN PLATE ON THE SOLDER END, 1.27µm (.000050) MIN NICKEL UNDERPLATE ON THE ENTIRE CONTACT  
 -OR-  
 GOLD FLASH OVER PALLADIUM-NICKEL PLATE, 0.76µm (.000030) MIN TOTAL ON THE MATING SURFACES, 2.54µm (.000100) MIN TIN PLATE ON THE SOLDER END, 1.27µm (.000050) MIN NICKEL UNDERPLATE ON THE ENTIRE CONTACT.

EYELETS: 0.00508[.000200] MIN TIN OVER COPPER FLASH.  
 INSERTS: CLEAR CHROMATE.  
 SCREWLOCKS: CLEAR CHROMATE.



RECOMMENDED PC BOARD LAYOUT  
 1.57[.062] PC BOARD  
 (VIEWED FROM CONNECTOR SIDE)

SEE DETAIL B	5747236-6
SEE DETAIL A	5747236-4
NONE	5747236-2
MOUNTING HARDWARE	PART NUMBER

**COPYRIGHT 2005  
 TYCO ELECTRONICS CORP  
 ALL RIGHTS RESERVED**

THIS DRAWING IS A CONTROLLED DOCUMENT. DIMENSIONING AND TOLERANCING PER ASME Y14.5M-2009		DIN J. GERACE 14JAN05	STE TE Connectivity	
DIMENSIONS: mm(INCHES)		CHK S. BOLASH 14JAN05	NAME M. WALMSLEY 14JAN05	
TOLERANCES UNLESS OTHERWISE SPECIFIED:		PRODUCT SPEC 108-40025		
0. PLC ± -	1. PLC ± -	APPLICATION SPEC 114-40010		
2. PLC ± -	3. PLC ± 0.13(.005)	SIZE CAGE CODE DRAWING NO RESTRICTED TO		
4. PLC ± -	ANGLES ± ± °	A1 00779 C=5747236		
MATERIAL	FINISH	WEIGHT		
△	△	CUSTOMER DRAWING SCALE 4:1 SHEET 1 OF 1 REV C		

# Mouser Electronics

Authorized Distributor

Click to View Pricing, Inventory, Delivery & Lifecycle Information:

[TE Connectivity:](#)

[5747236-4](#)