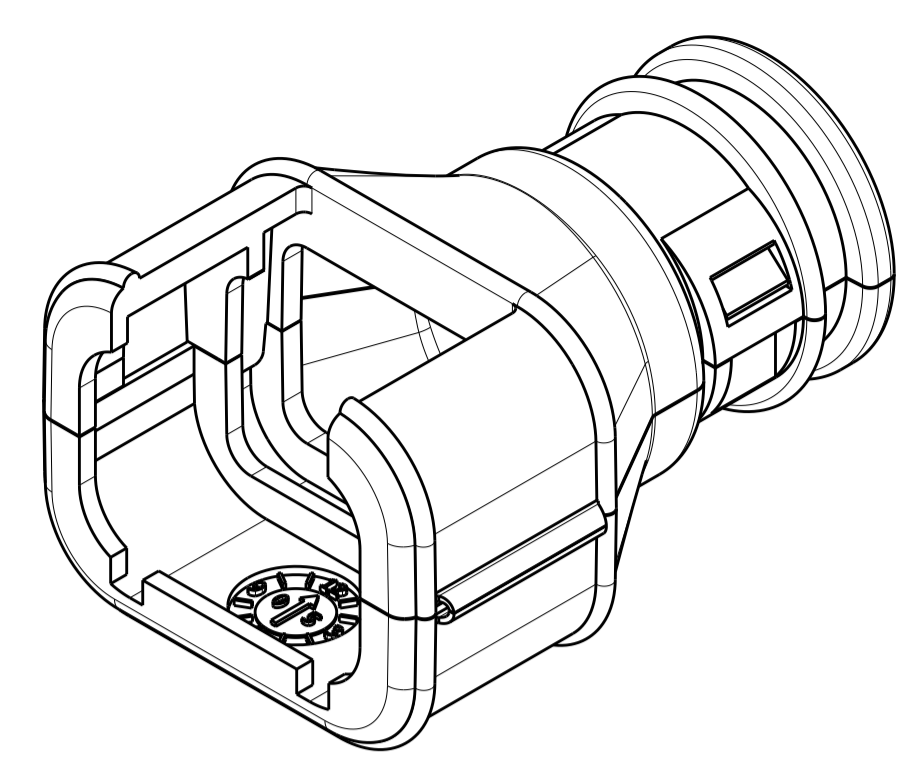
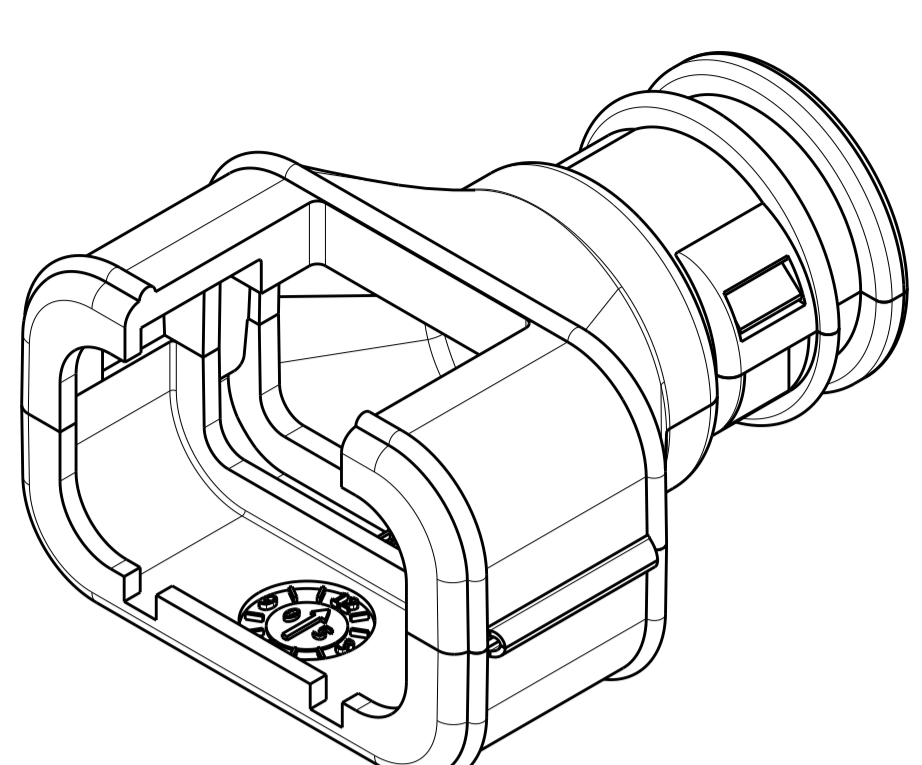


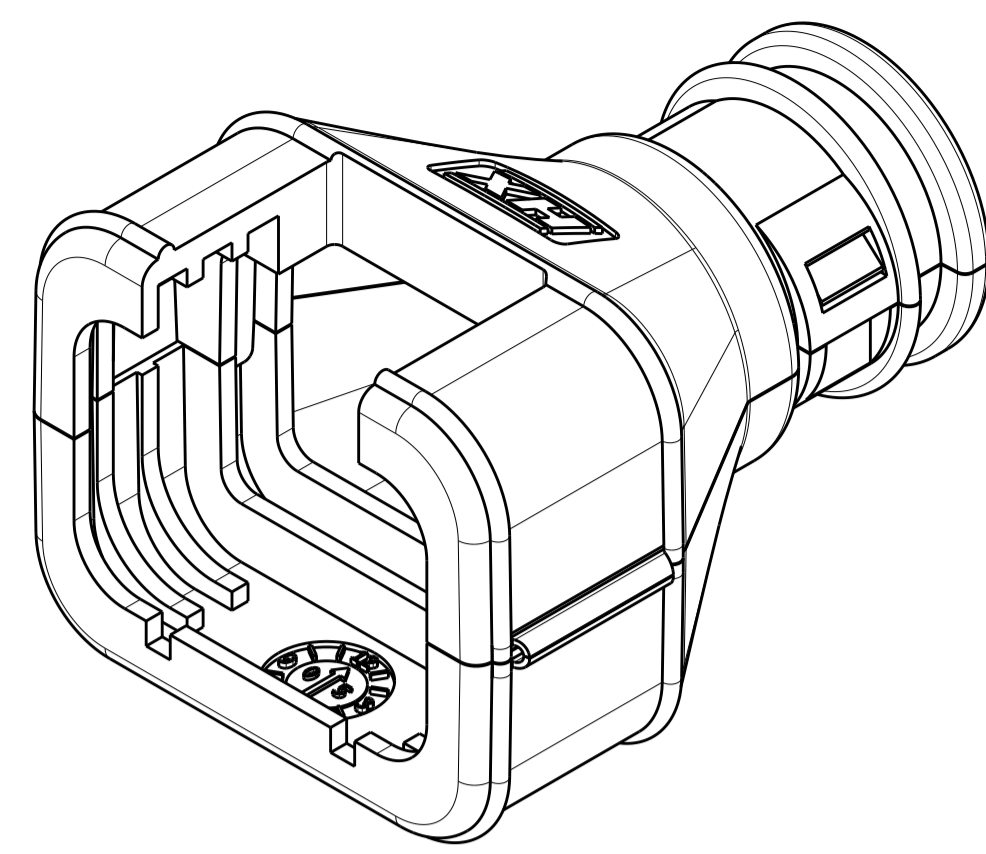
REVISIONS				
P.	LTN.	DESCRIPTION	DATE	APPV.
C		REVISED PER ECO-11-017736	30SEP2011	DD RB
C1		REVISED PER ECO-14-013809	16SEP2014	DD RB
D		REV PER ECO-16-011480	02AUG2016	JM RB
E		REV PER ECO-16-014045	13SEP2016	JM RB



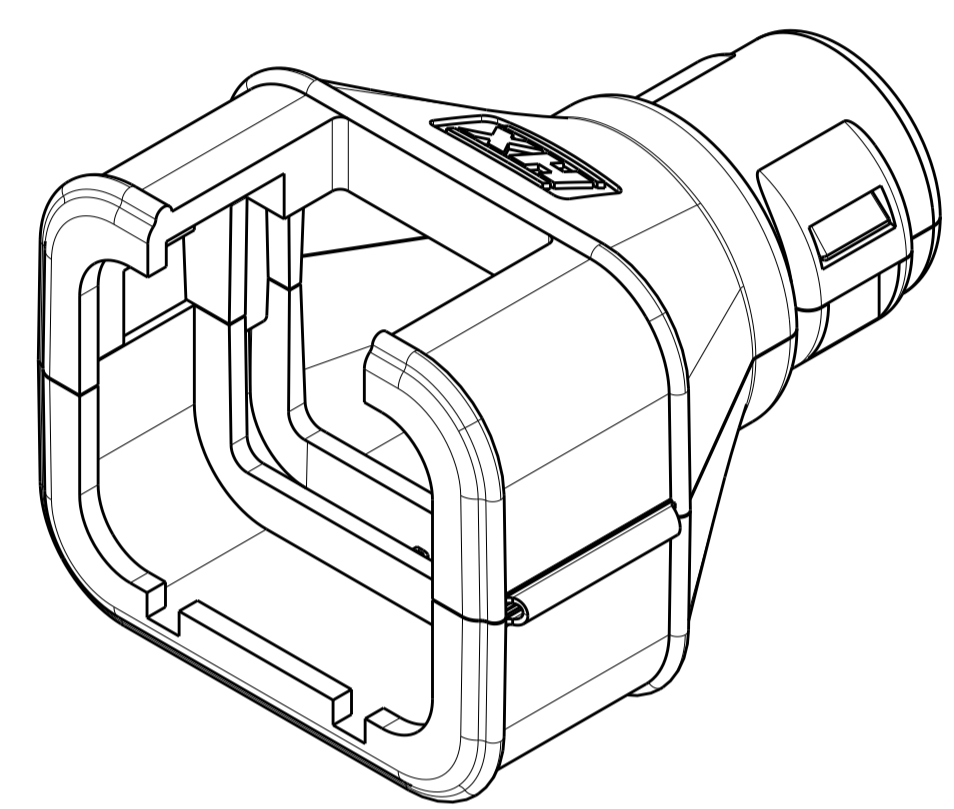
2035047-1



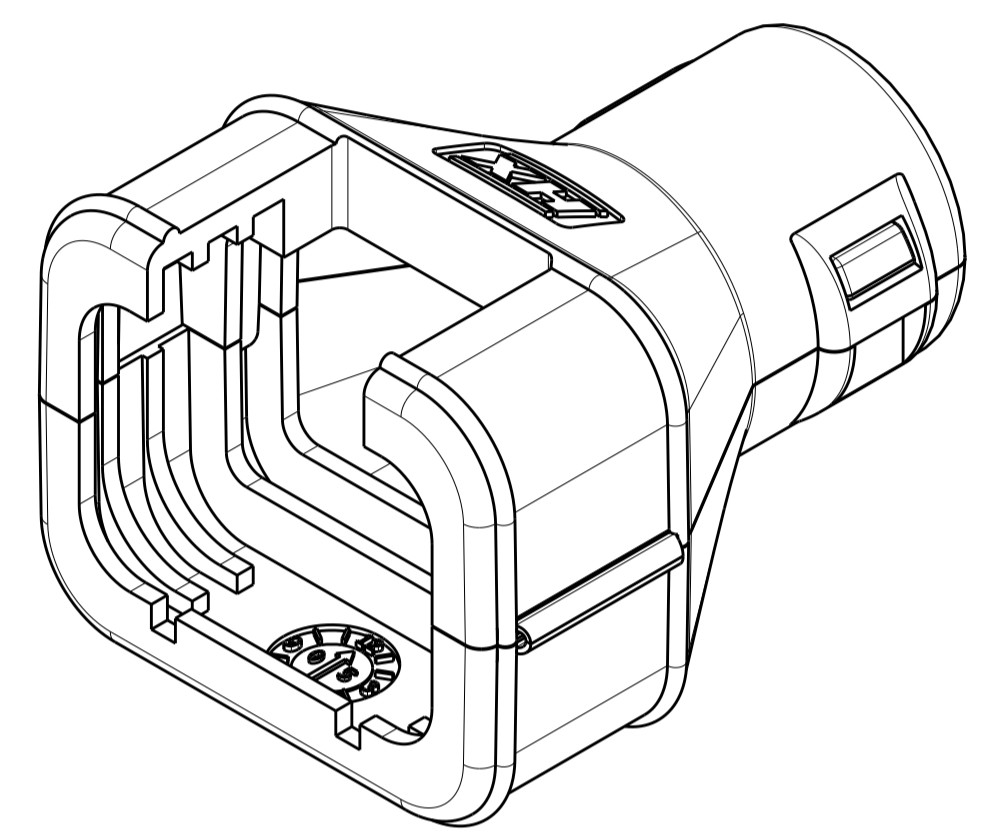
2035047-2



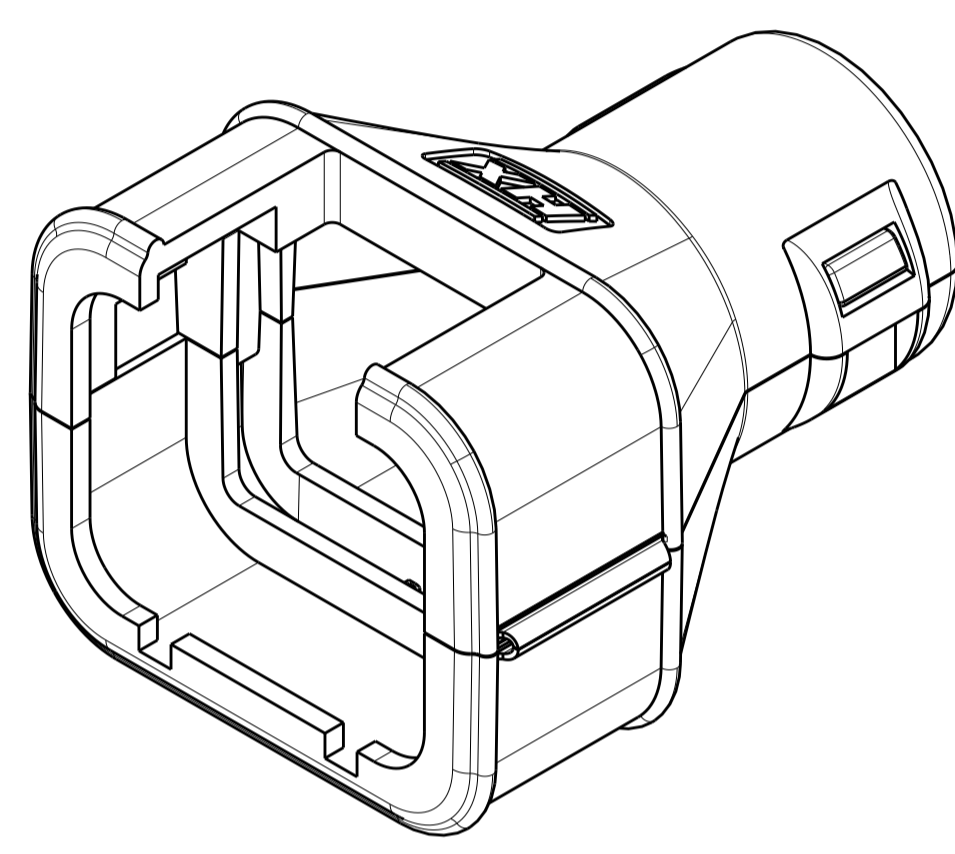
2035047-3



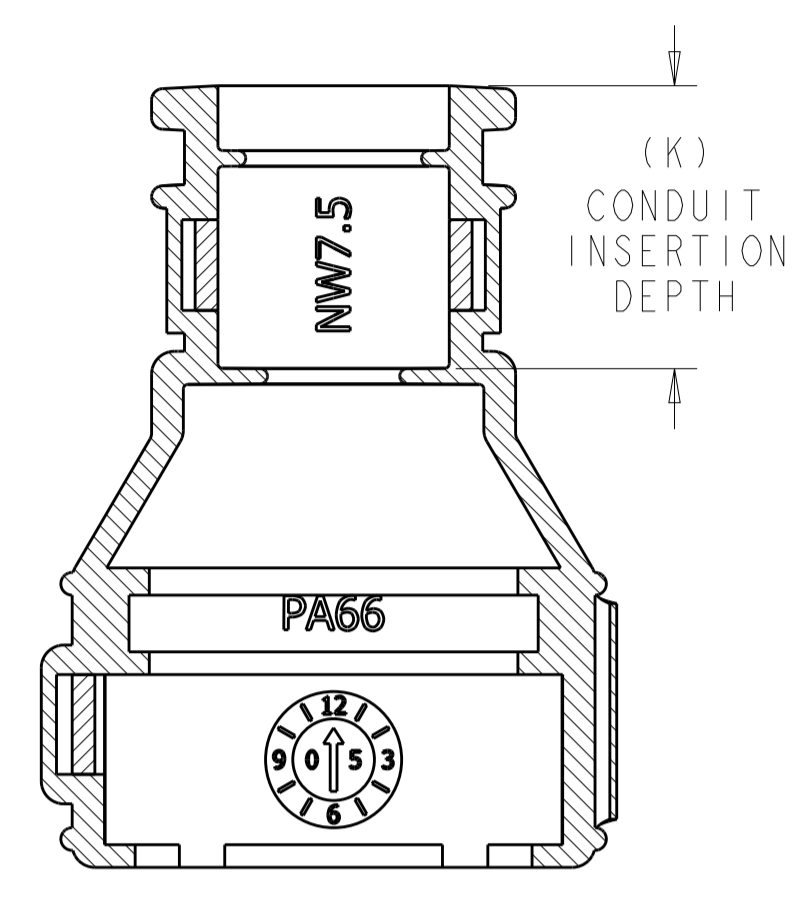
2035047-4



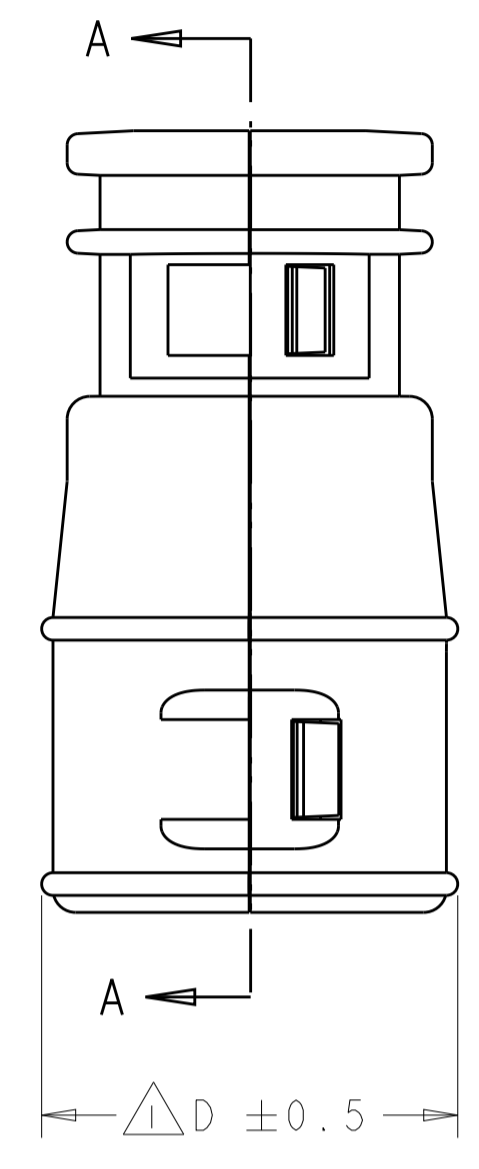
2035047-5



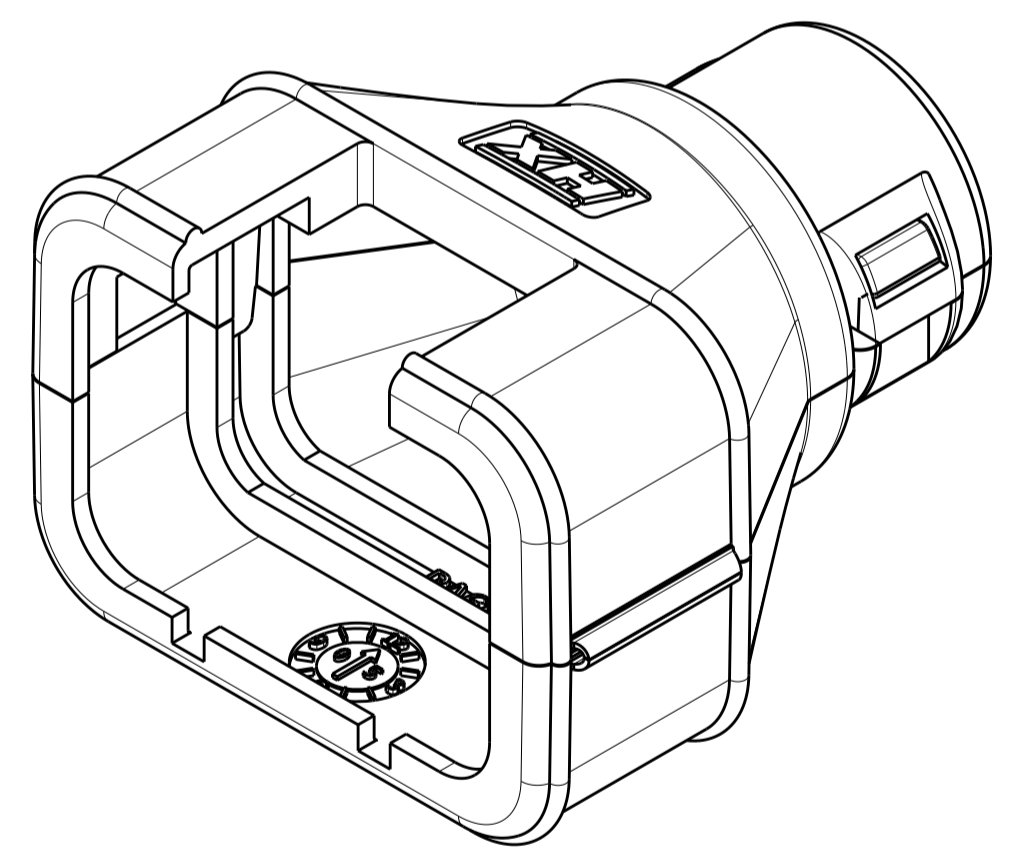
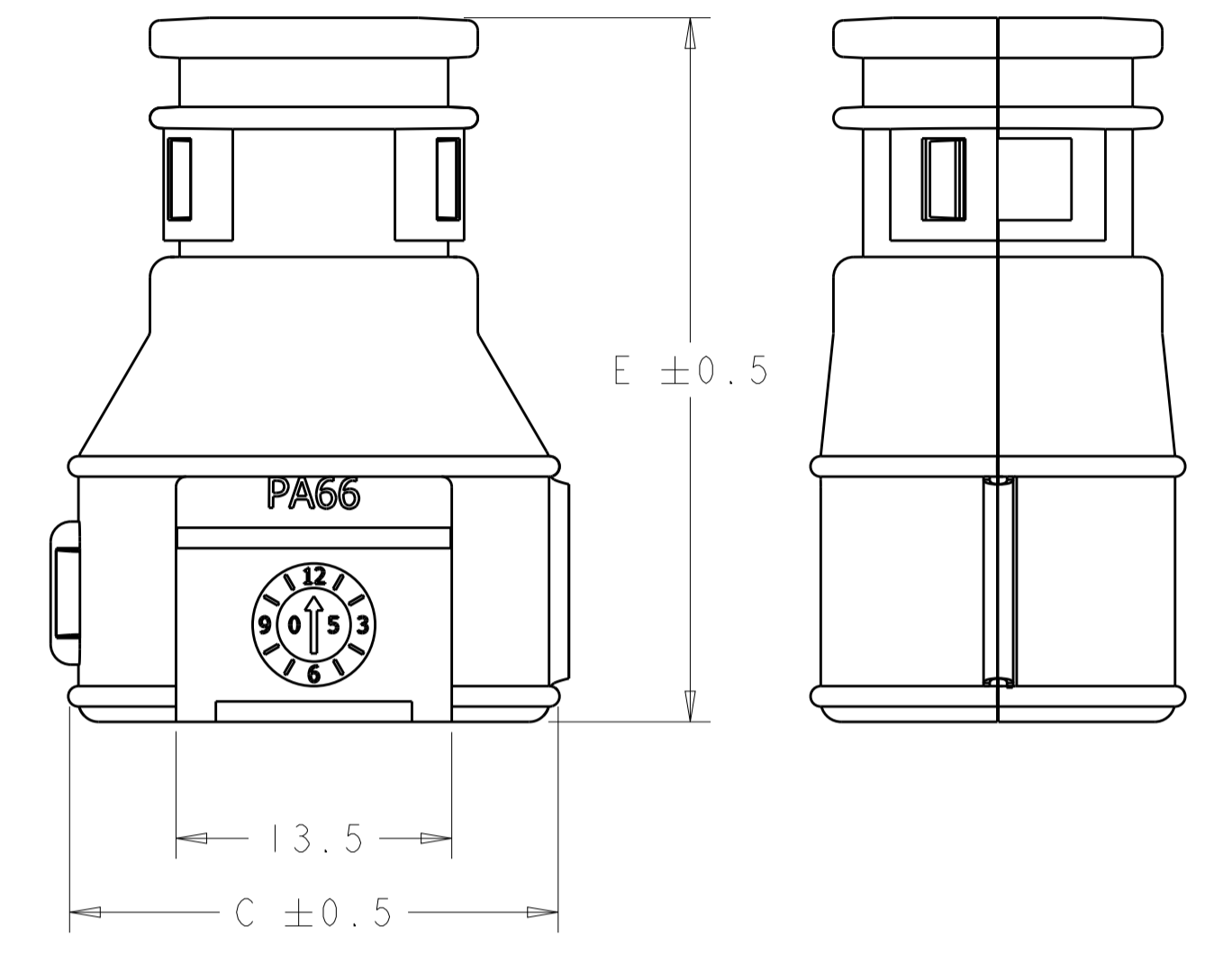
2035047-6



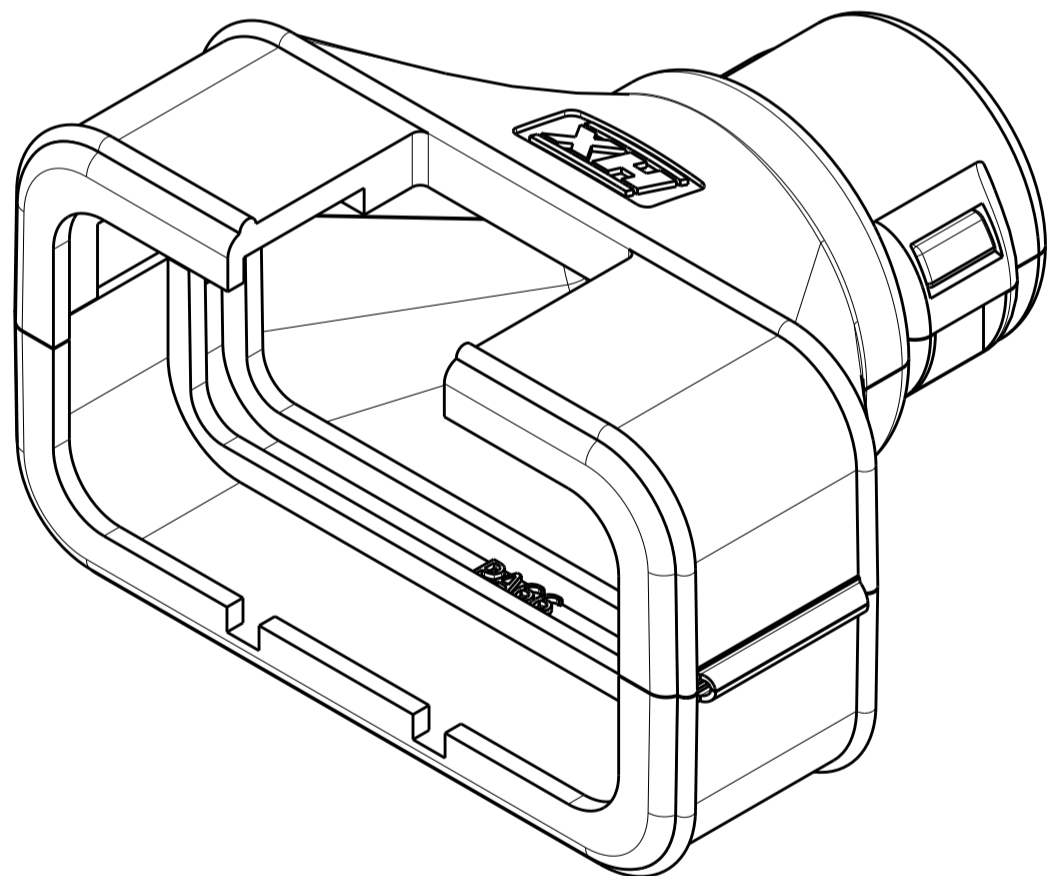
SECTION A-A



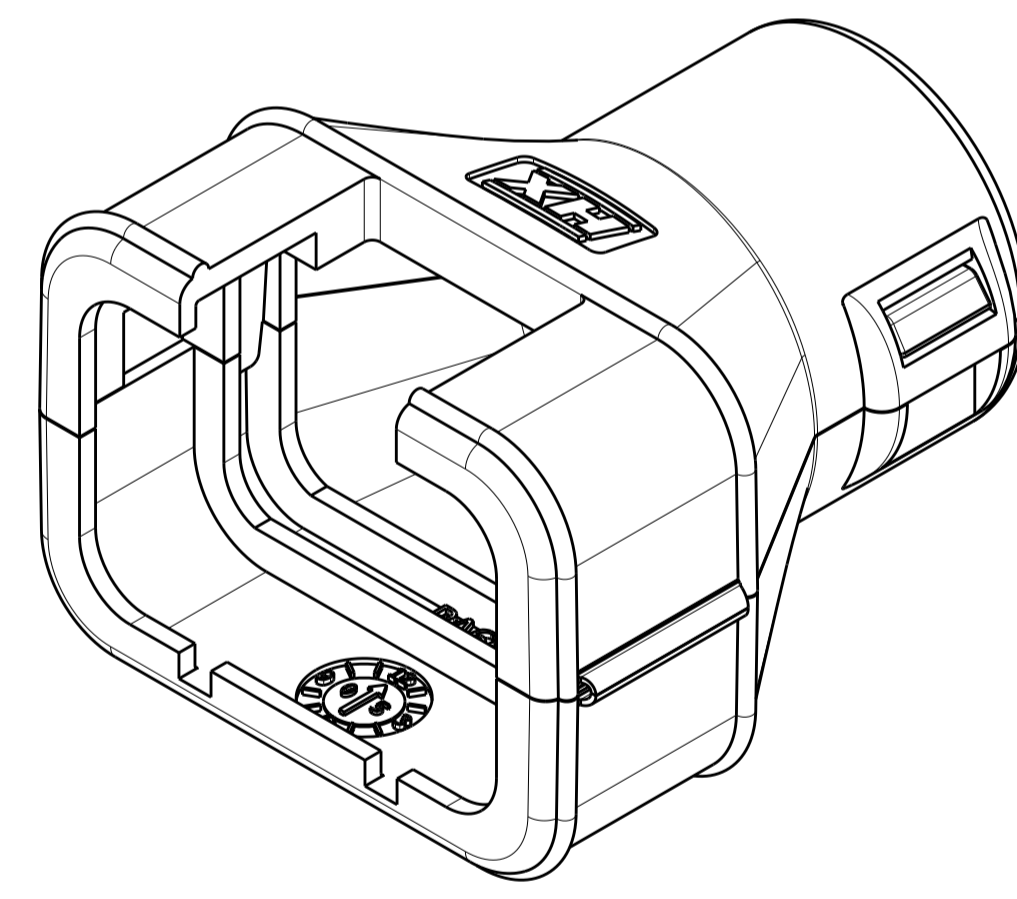
△ DIMENSION TO BE MEASURED WHEN THE COVER IS CLOSED.
 △ COLOR: BLACK



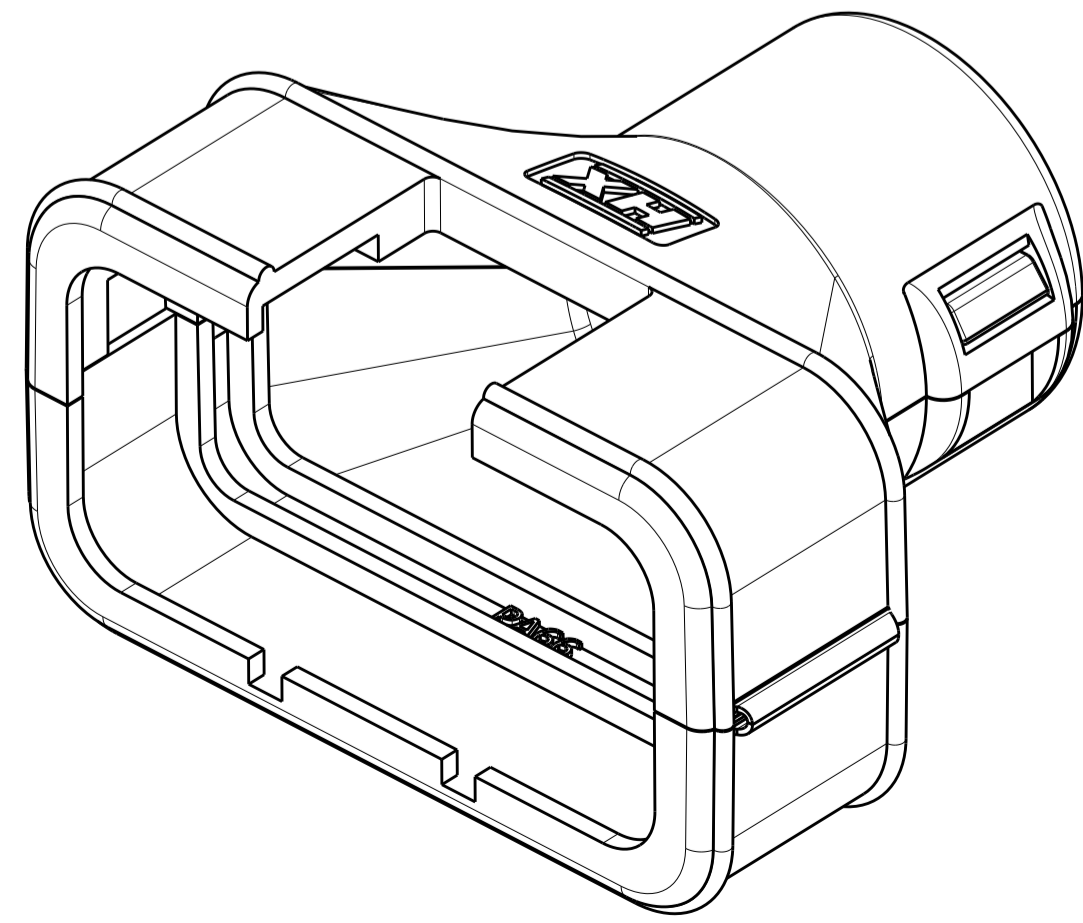
2035047-7



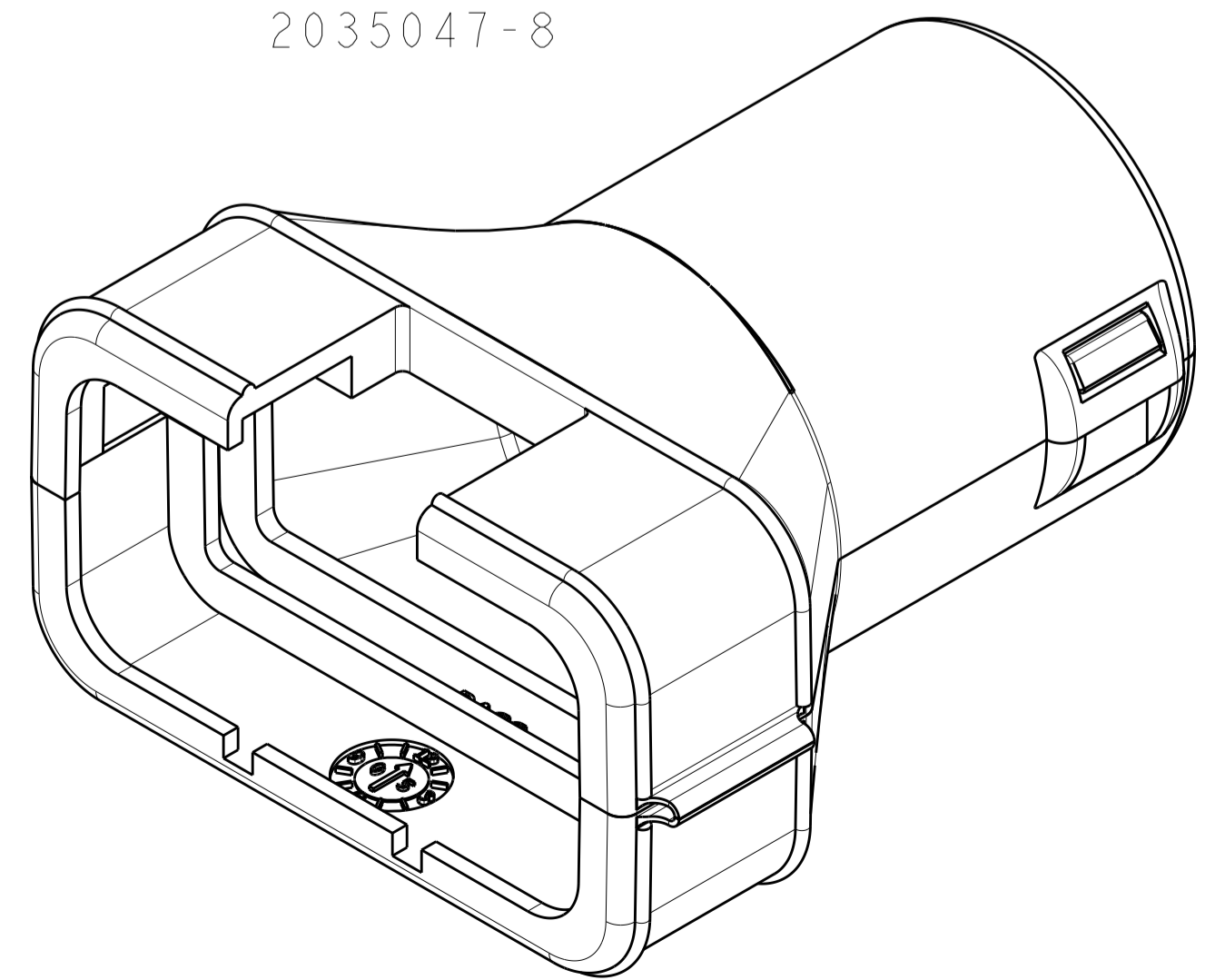
2035047-8



2035047-9



1-2035047-0



1-2035047-1

TE PART NUMBER	ASSY POSN	NOMINAL CONDUIT SIZE		NOMINAL DIMENSIONS			
		NC	NW	C	D	E	(K)
2035047-1	2	08	7.5	24.0	18.5	34.5	12.5
2035047-2	3	08	7.5	28.5	18.5	34.5	12.5
2035047-3	4	08	7.5	29.0	23.5	38.5	12.5
2035047-4	6	08	7.5	28.7	23.5	36.8	11.1
2035047-5	4	12	10	29.0	23.5	36.8	10.7
2035047-6	6	12	10	28.7	23.5	36.8	10.7
2035047-7	8	12	10	33.0	23.5	36.8	10.7
2035047-8	12	12	10	42.0	23.5	36.8	10.7
2035047-9	8	16	13	33.0	23.5	36.8	10.7
1-2035047-0	12	16	13	42.0	23.5	36.8	10.7
1-2035047-1	12	20	17	41.7	23.5	48.0	12.1

THIS DRAWING IS A CONTROLLED DOCUMENT. DIMENSIONS: mm. TOLERANCES UNLESS OTHERWISE SPECIFIED: 0 PLC ±0.6, 1 PLC ±0.6, 2 PLC ±0.6, 3 PLC ±0.6, 4 PLC ±0.6, ANGLES ±0.5. MATERIAL: NYLON 6/6. FINISH: -.

APPROVED: J. MARKEY (11APR2008), J. MARKEY (11APR2008), J. MARKEY (11APR2008). CUSTOMER DRAWING.

TE Connectivity. BACKSHELL, AMPSEAL 16, 0 DEGREE EXIT. SIZE: A100779. CAGE CODE: 2035047. SCALE: 3:1. SHEET 1 OF 1. REV E.

Mouser Electronics

Authorized Distributor

Click to View Pricing, Inventory, Delivery & Lifecycle Information:

[TE Connectivity:](#)

[2035047-3](#)