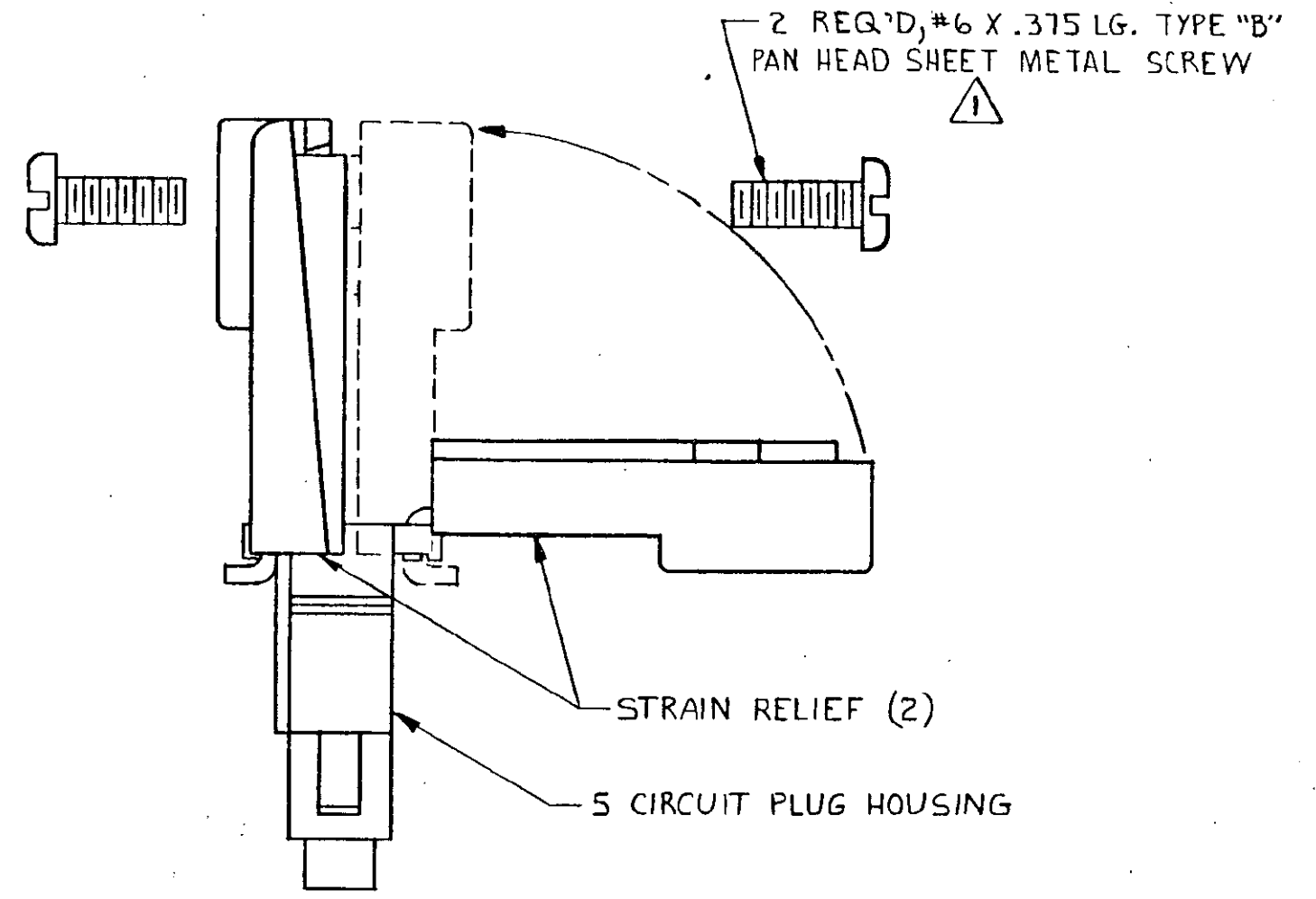
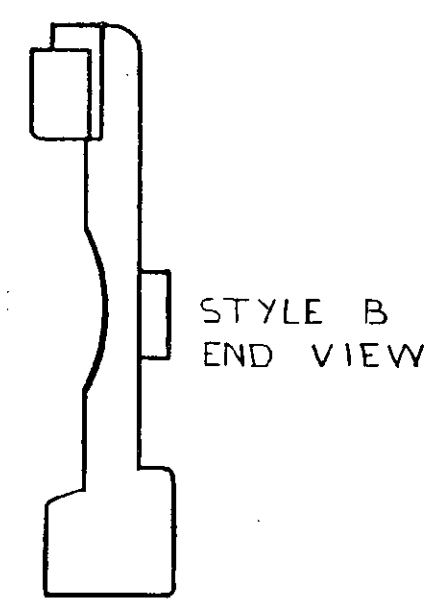
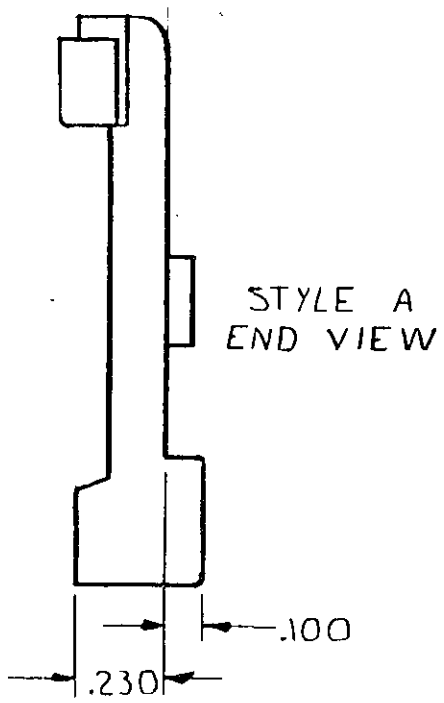
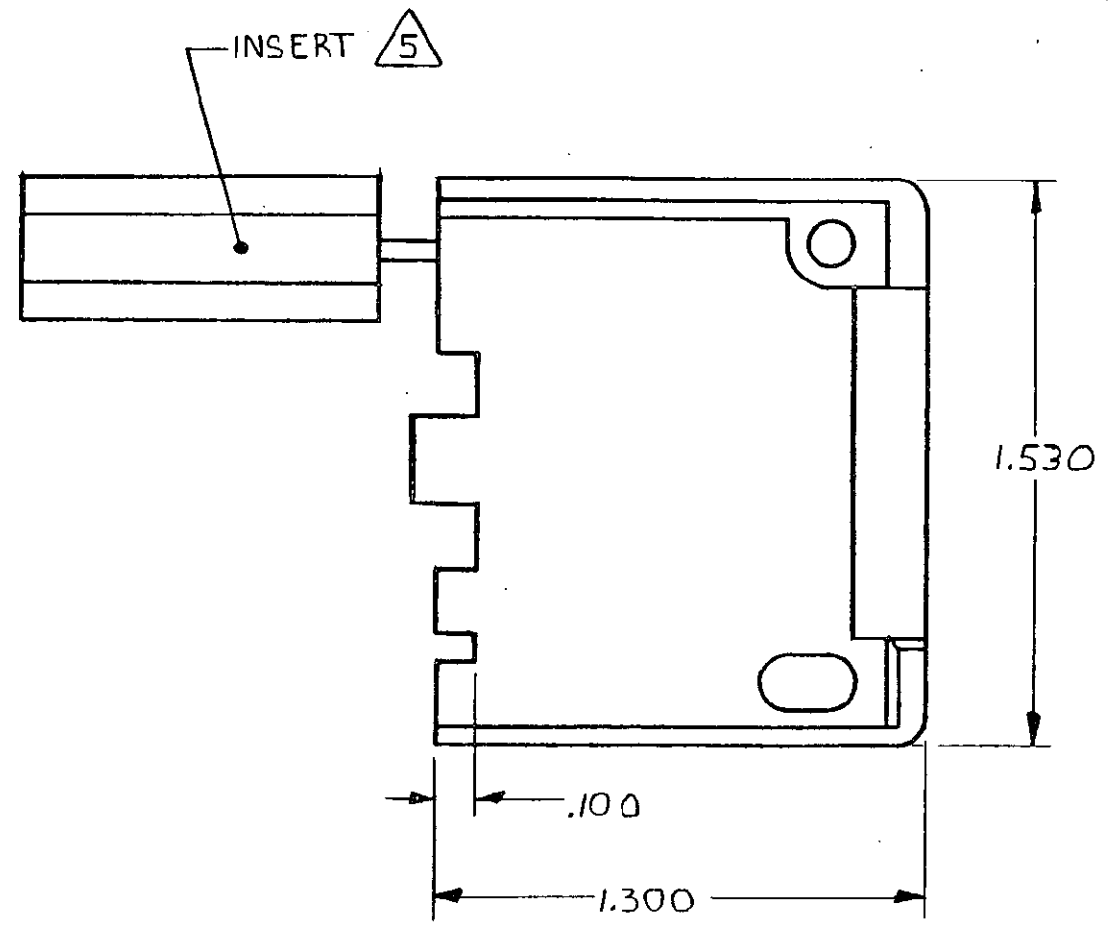
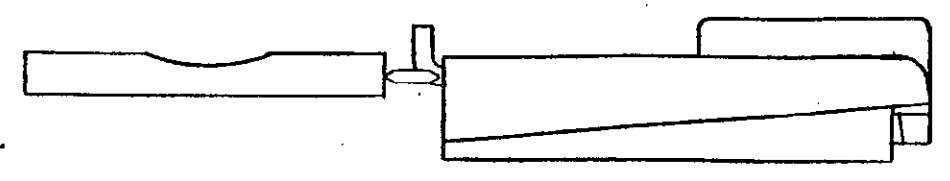


THIS DRAWING IS UNPUBLISHED. RELEASED FOR PUBLICATION, 19  
 © COPYRIGHT 19 BY AMP INCORPORATED, HARRISBURG, PA. ALL INTERNATIONAL RIGHTS RESERVED. AMP PRODUCTS MAY BE COVERED BY U.S. AND FOREIGN PATENTS AND/OR PATENTS PENDING.

REVISIONS						
P	F	ZONE	LTR	DESCRIPTION	DATE	APPROVED
			0	RELEASE DRAWING PER M-6939	5-11-82	MSF/DH
			A	Added 643030-4, TTI B2-164	1/22/83	WV/DH
			A <sub>1</sub>	<b>RESTORED</b>	7/11/85	BD RS
			B	REV PER ECN CM 705	12/1/86	TB / RS
			C	REV PER EC 0730-0201-94	4-26-85	JM RS



- ⚠ SHEET METALS SCREWS NOT SUPPLIED. TWO REQUIRED PER CONNECTOR.
- 3. STYLE A; MAX WIRE BUNDLE WITHOUT INSERT IS 5 AT .190 DIA, AND MIN WIRE BUNDLE WITH INSERT IS 5 AT .040 DIA.
- 4. STYLE B; DESIGNED TO ACCEPT CABLE WITH .200-.350 OUTSIDE DIAMETER.
- 6. DETACHABLE INSERT MAY SEPARATE FROM STRAIN RELIEF BODY DURING SHIPPING.

	COLOR	MATERIAL	TYPE	PART NO
NO INSERT	BRICK RED OR WHITE	NYLON 94V-0	STYLE B	643030-4/2
WITH INSERT	NATURAL	NYLON 94V-2	STYLE A	643030-3/2
NO INSERT			STYLE B	643030-2/2
WITH INSERT	BRICK RED OR WHITE	NYLON 94V-0	STYLE A	643030-1/2

UNLESS OTHERWISE SPECIFIED DIMENSIONS ARE IN INCHES. TOLERANCES ON: DECIMALS ±.015 ANGLES ±	CONTRACT NO		<b>AMP</b>   AMP INCORPORATED Harrisburg, Pa. 17105	
	DR <i>M. Feker 5-11-82</i>			
MATERIAL SEE TABLE	CHK <i>D.S. Heide 6/1/82</i>		NAME STRAIN RELIEF AND INSERT, UNIVERSAL MATE-N-LOK™, 5 CIRCUIT	
	APPD <i>G.E. Acella 6/1/82</i>			
	DSGN APPD	SIZE <b>C</b>	FSCM NO <b>00779</b>	DRAWING NO <b>643030</b>
	OTHER APPD	SCALE 2-1	SHEET 1 OF 1	

# Mouser Electronics

Authorized Distributor

Click to View Pricing, Inventory, Delivery & Lifecycle Information:

[TE Connectivity:](#)

[643030-3](#)