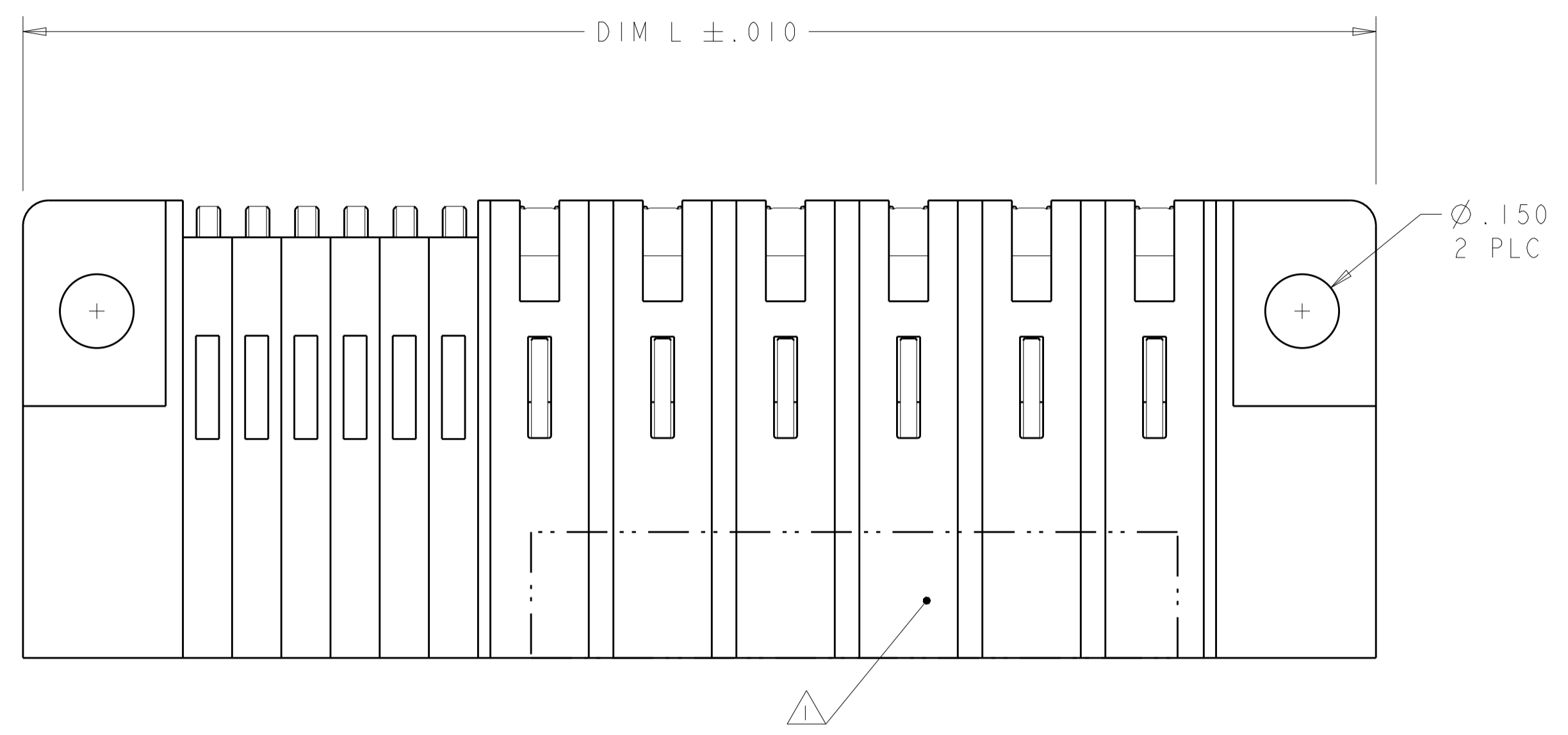
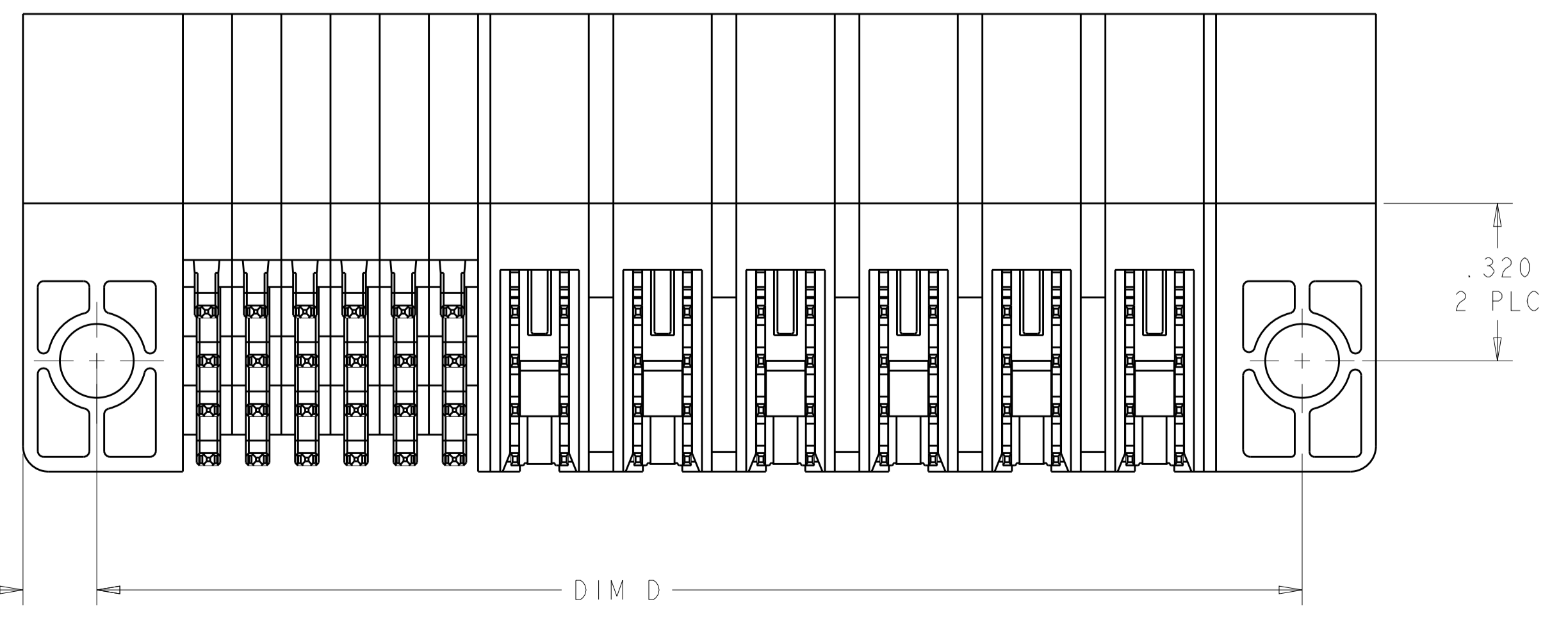
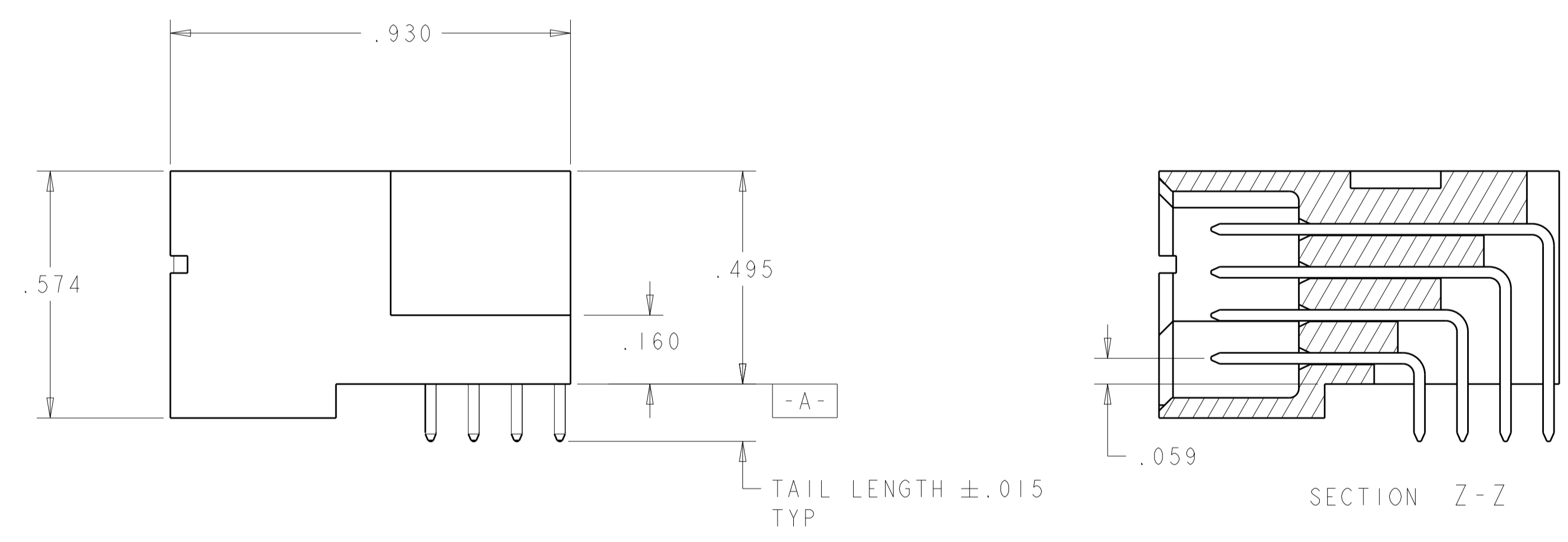
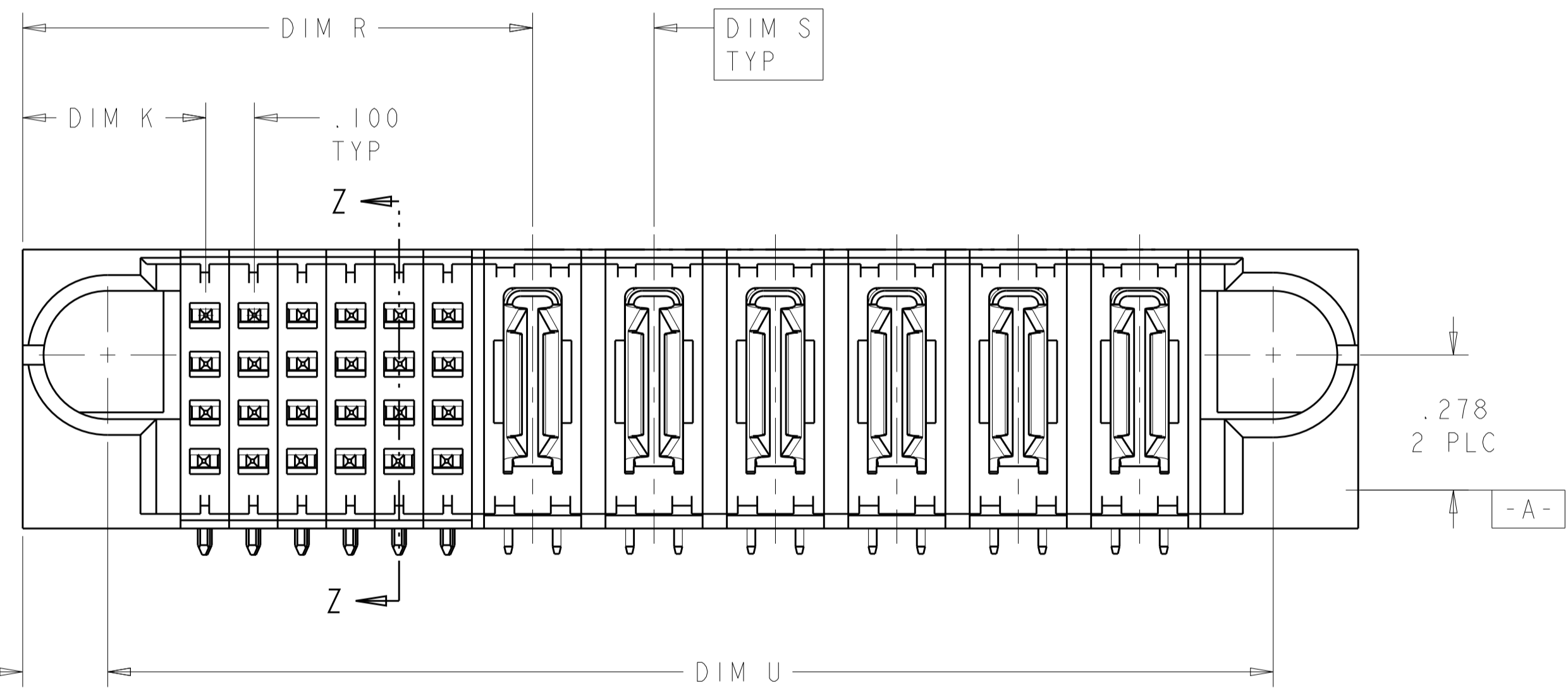


| LOC |    | DIST |     | REVISONS              |           |     |      |
|-----|----|------|-----|-----------------------|-----------|-----|------|
| ES  | 00 | P    | LTN | DESCRIPTION           | DATE      | DWN | APVD |
|     |    | E1   |     | REV PER ECR-12-012550 | 12JUL2012 | AY  | SZ   |



- 1 "AMP" PART NUMBER AND DATE CODE TO BE MARKED IN AREA SHOWN.
- 2 MATERIAL:  
HOUSING - GLASS FILLED HIGH TEMP THERMO PLASTIC, UL94 V-0  
SIGNAL CONTACT - COPPER ALLOY  
POWER CONTACT - HIGH CONDUCTIVITY COPPER ALLOY
- 3 CONTACT PLATING:  
SIGNAL CONTACT - .000050 MIN Ni UNDER ALL .000030 MIN. Au ON CONTACT AREA, .000100 MIN Sn AT PCB INTERFACE  
POWER CONTACT - .000050 MIN Ni UNDER ALL, .000030 MIN Au AT CONTACT AREA, .000100 MIN Sn AT PCB INTERFACE
- 4 MECHANICAL CONNECTOR KEEP OUT ZONE.
- 5 DATUM AND BASIC DIMENSIONS ESTABLISHED BY CUSTOMERS.
- 6 PCB - ALL HOLE DIAMETERS ARE FINISHED HOLE SIZES.
- 7 PCB - .045±.0010 DRILLED HOLES PLATED WITH .0003 MIN Sn OVER .001 TO .003 CU PLATING TO ACHIEVE A .040±.003 DIA. HOLE
- 8 NOT RELEASED FOR PRODUCTION.
- 9 VARIABLE DIMENSION SHOW ON VIEW (SHEET 3).



| DIM U | DIM S | DIM R | DIM D | DIM K | DIM L | DESCRIPTION | PART NUMBER |
|-------|-------|-------|-------|-------|-------|-------------|-------------|
| 3.400 | .250  | 1.050 | 3.450 | .375  | 3.750 | 24S + 10P   | 1-6600122-1 |
| 3.325 | .200  | 1.050 | 3.375 | .375  | 3.675 | 24S + 12HDP | 1-6600122-0 |
| 2.600 | 9     | 1.075 | 2.650 | .400  | 2.950 | 24S + 8P    | 6600122-9   |
| 2.400 | .250  | 1.050 | 2.450 | .375  | 2.750 | 24S + 6P    | 6600122-8   |
| 3.325 | .200  | 1.050 | 3.375 | .375  | 3.675 | 24S + 12HDP | 6600122-7   |
| 2.150 | .200  | 1.050 | 2.200 | .375  | 2.500 | 24S + 6P    | 6600122-6   |
| 2.400 | .250  | 1.050 | 2.450 | .375  | 2.750 | 24S + 6P    | 6600122-5   |
| 2.400 | .250  | 1.050 | 2.450 | .375  | 2.750 | 24S + 6P    | 6600122-1   |

THIS DRAWING IS A CONTROLLED DOCUMENT.

DIMENSIONS: INCHES

TOLERANCES UNLESS OTHERWISE SPECIFIED:

|        |        |
|--------|--------|
| 0 PLC  | ±      |
| 1 PLC  | ±.01   |
| 2 PLC  | ±.01   |
| 3 PLC  | ±.005  |
| 4 PLC  | ±.0020 |
| ANGLES | ±.020  |

MATERIAL: 2

FINISH: 3

Customer Drawing

DWN: R. GRZYBOWSKI  
CHK: M. PERCHERKE  
APVD: -

PRODUCT SPEC: 108-1973  
APPLICATION SPEC: 114-13038  
WEIGHT: -

NAME: RIGHT ANGLE SOLDER HEADER ASSY, DUAL BEAM POWER CONTACT MULTI-BEAM XL

SIZE: A1  
CAGE CODE: 6600122  
DRAWING NO: 100779

RESTRICTED TO: -

SCALE: 4:1  
SHEET: 1 OF 5  
REV: E1

TE Connectivity

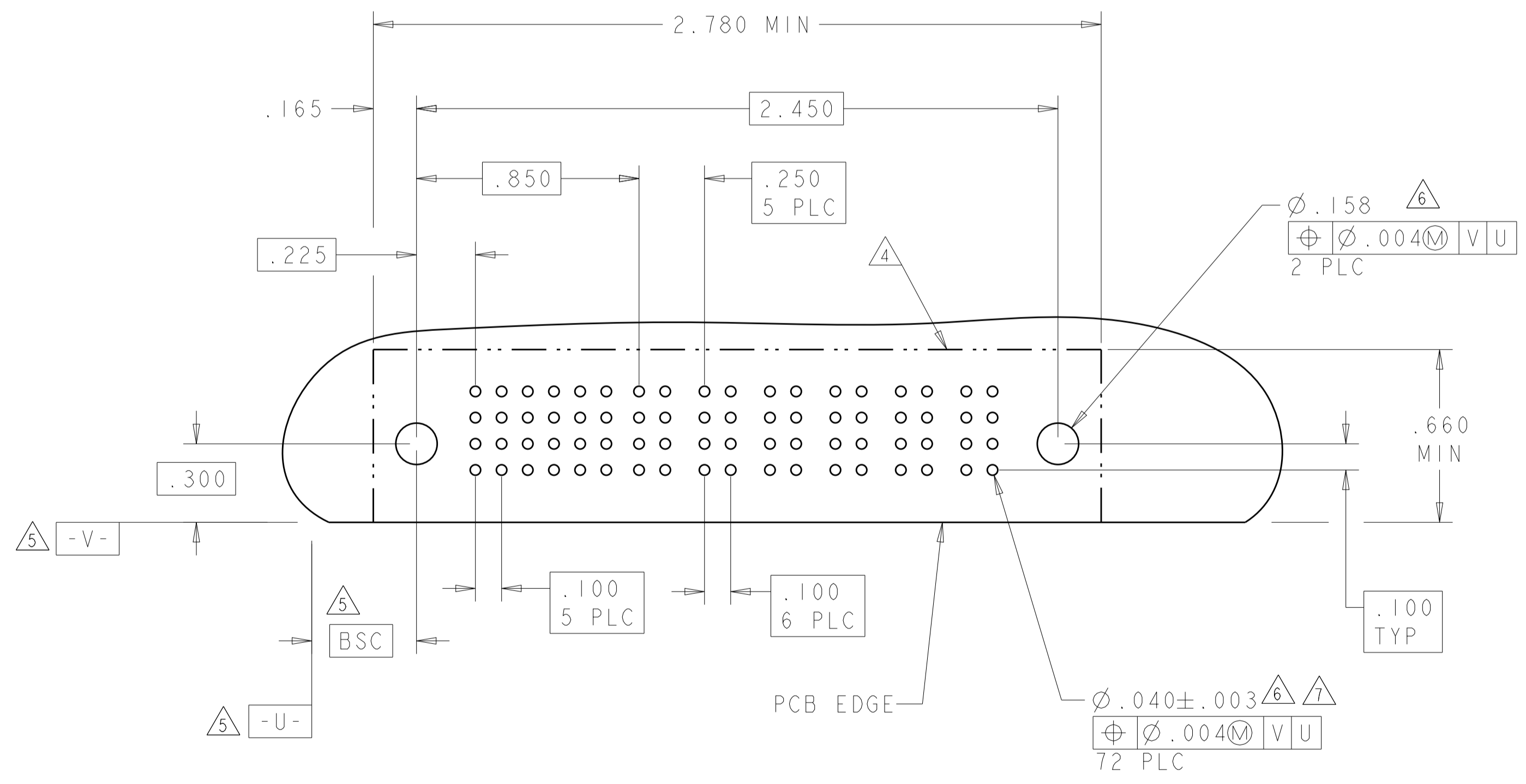
| LOC | DIST | REVISIONS |             |    |      |
|-----|------|-----------|-------------|----|------|
| ES  | 00   | REV       | DATE        | BY | APPV |
|     |      | 1         | SEE SHEET 1 |    |      |

| PART NUMBER | ROWS             | SIGNAL |   |   |   |   |   | POWER |    |    |    |    |    |
|-------------|------------------|--------|---|---|---|---|---|-------|----|----|----|----|----|
|             |                  | 1      | 2 | 3 | 4 | 5 | 6 | P1    | P2 | P3 | P4 | P5 | P6 |
| 6600122-1   | D<br>C<br>B<br>A | J      | J | J | J | J | J | PS    | PS | PS | PS | PS | PS |
|             |                  | K      | K | K | K | K | K |       |    |    |    |    |    |
|             |                  | N      | N | N | N | N | N |       |    |    |    |    |    |
|             |                  | H      | S | S | S | S | S |       |    |    |    |    |    |
| 24S + 6P    |                  |        |   |   |   |   |   |       |    |    |    |    |    |

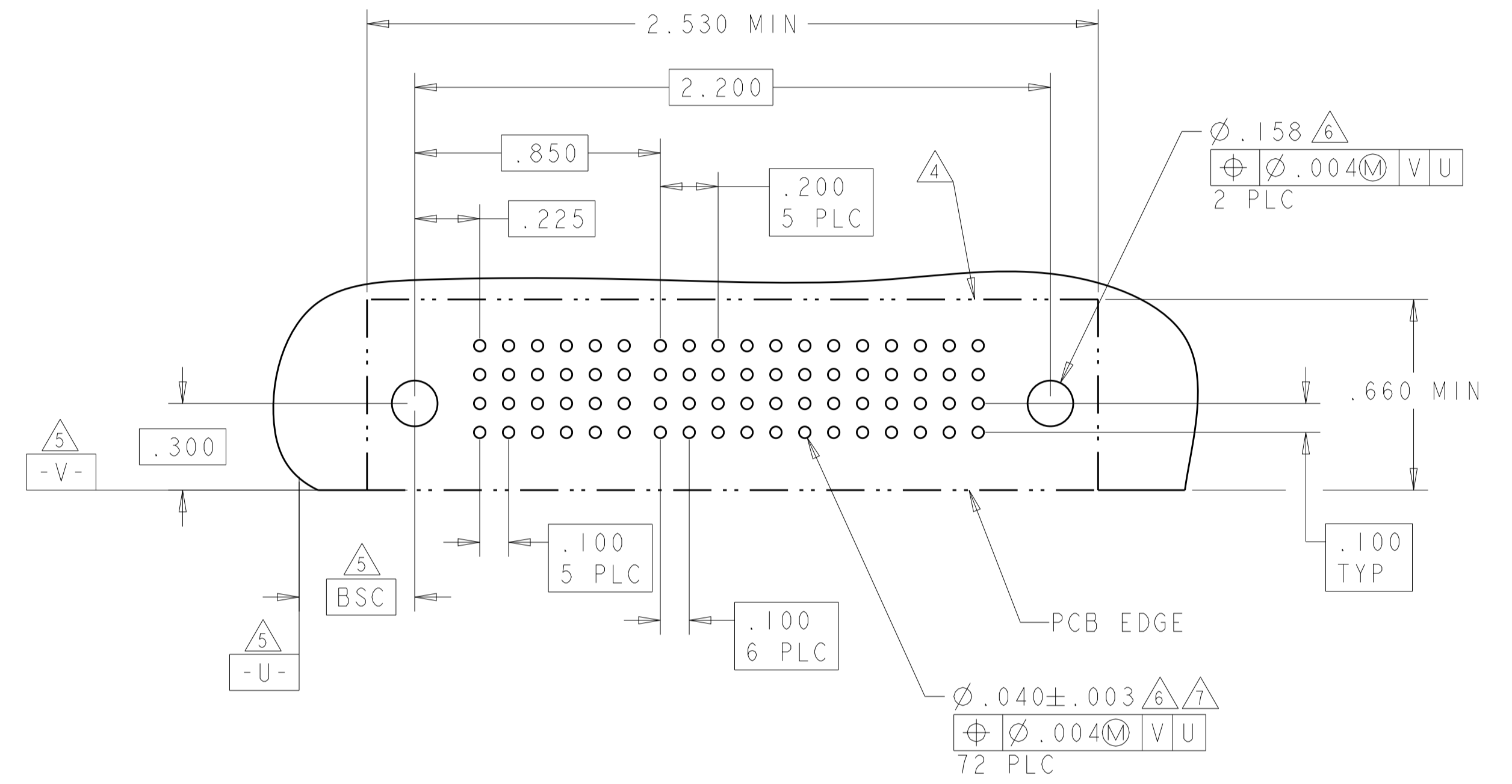
| PART NUMBER | ROWS             | SIGNAL |   |   |   |   |   | POWER |    |    |    |    |    |
|-------------|------------------|--------|---|---|---|---|---|-------|----|----|----|----|----|
|             |                  | 1      | 2 | 3 | 4 | 5 | 6 | P1    | P2 | P3 | P4 | P5 | P6 |
| 6600122-5   | D<br>C<br>B<br>A | J      | J | J | J | J | J | PS    | PS | PS | PS | PS | PS |
|             |                  | K      | K | K | K | K | K |       |    |    |    |    |    |
|             |                  | N      | N | N | N | N | N |       |    |    |    |    |    |
|             |                  | S      | S | S | S | S | S |       |    |    |    |    |    |
| 24S + 6P    |                  |        |   |   |   |   |   |       |    |    |    |    |    |

| PART NUMBER | ROWS             | SIGNAL |   |   |   |   |   | POWER |    |    |    |    |    |
|-------------|------------------|--------|---|---|---|---|---|-------|----|----|----|----|----|
|             |                  | 1      | 2 | 3 | 4 | 5 | 6 | P1    | P2 | P3 | P4 | P5 | P6 |
| 6600122-8   | D<br>C<br>B<br>A | J      | J | J | J | E | J | PS    | PS | PS | PS | PS | PS |
|             |                  | K      | K | K | K | F | K |       |    |    |    |    |    |
|             |                  | N      | N | N | N | G | N |       |    |    |    |    |    |
|             |                  | H      | S | S | S | S | S |       |    |    |    |    |    |
| 24S + 6P    |                  |        |   |   |   |   |   |       |    |    |    |    |    |

| PART NUMBER | ROWS             | SIGNAL |   |   |   |   |   | POWER |    |    |    |    |    |
|-------------|------------------|--------|---|---|---|---|---|-------|----|----|----|----|----|
|             |                  | 1      | 2 | 3 | 4 | 5 | 6 | P1    | P2 | P3 | P4 | P5 | P6 |
| 6600122-6   | D<br>C<br>B<br>A | J      | J | J | J | J | J | PS    | PS | PS | PS | PS | PS |
|             |                  | K      | K | K | K | K | K |       |    |    |    |    |    |
|             |                  | N      | N | N | N | N | N |       |    |    |    |    |    |
|             |                  | S      | S | S | S | S | S |       |    |    |    |    |    |
| 24S + 6P    |                  |        |   |   |   |   |   |       |    |    |    |    |    |



BOTH 6600122-1 & 6600122-5 & 6600122-8 HAVE THE SAME PCB LAYOUT



| CODE | TAIL LENGTH | POWER CONTACT |
|------|-------------|---------------|
| PS   | .135        |               |

| CODE | MATING SEQUENCE | TAIL LENGTH | ROW |
|------|-----------------|-------------|-----|
| E    | MLBF            | .135        | D   |
| F    | MLBF            | .135        | C   |
| G    | MLBF            | .135        | B   |
| H    | MLBF            | .135        | A   |
| J    | STD             | .135        | D   |
| K    | STD             | .135        | C   |
| N    | STD             | .135        | B   |
| S    | STD             | .135        | A   |

THIS DRAWING IS A CONTROLLED DOCUMENT. DIMAROS

DRN: R. GRZYBOWSKI  
CHK: M. PERCHERKE  
APVD: -

PRODUCT SPEC: 108-1973  
APPLICATION SPEC: 114-13038  
WEIGHT: -  
Customer Drawing

NAME: RIGHT ANGLE SOLDER HEADER ASSY, DUAL BEAM POWER CONTACT MULTI-BEAM XL  
SIZE: A1  
CAGE CODE: 100779  
DRAWING NO: 6600122

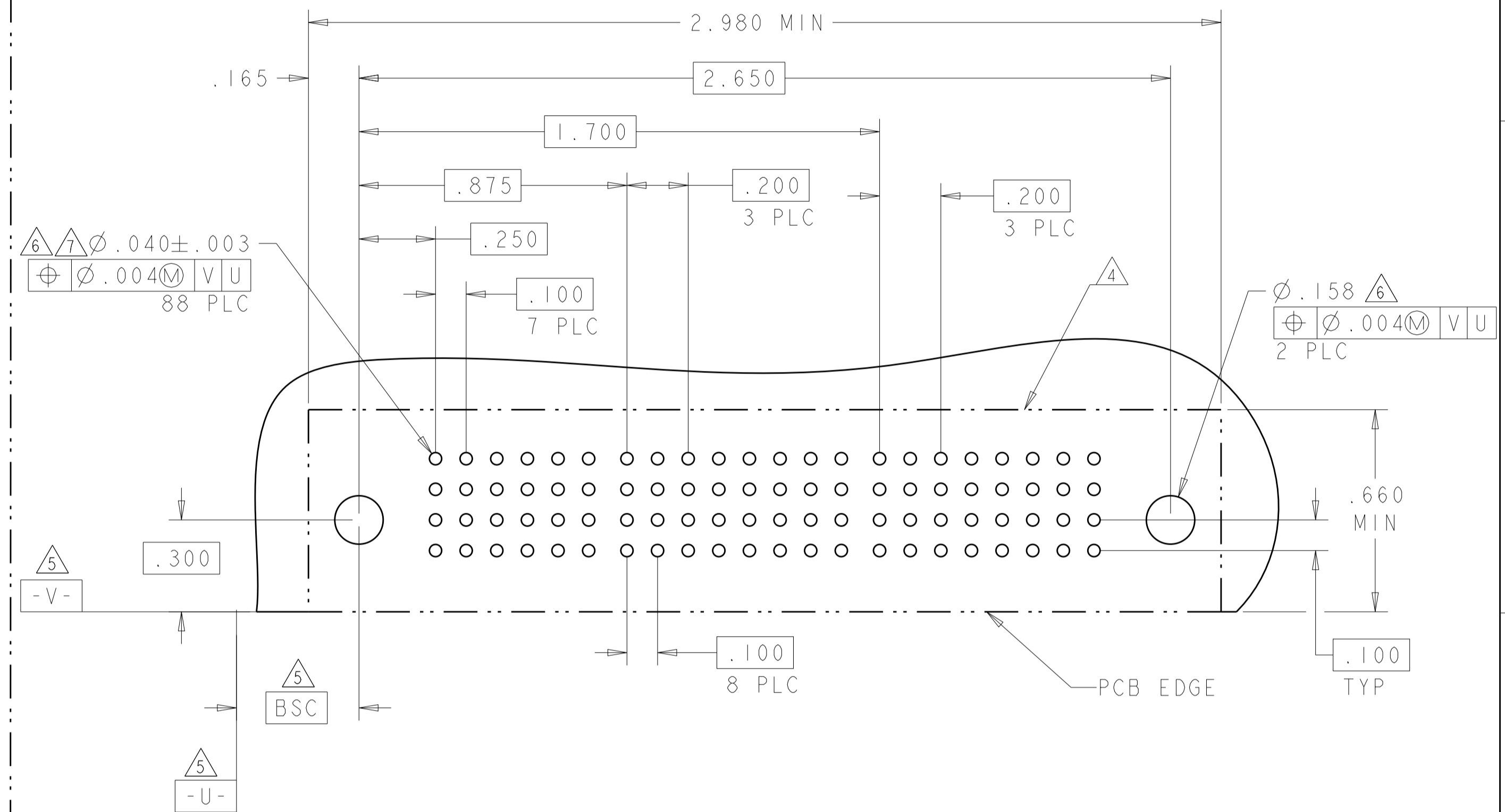
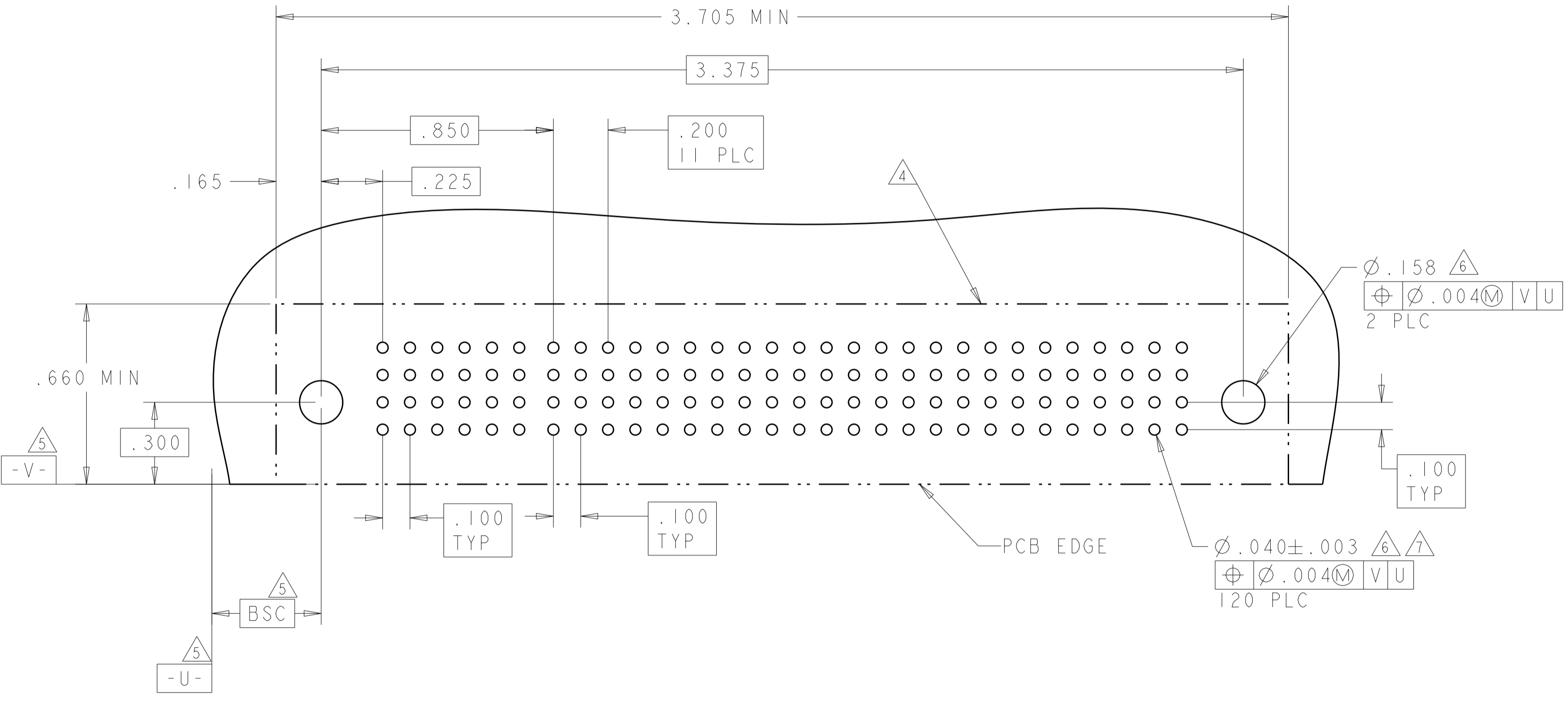
SCALE: 4:1  
SHEET: 2 OF 5  
REV: E1

**STE** TE Connectivity

| LOC | DIST | REVISIONS   |      |     |      |
|-----|------|-------------|------|-----|------|
| P   | LTN  | DESCRIPTION | DATE | DMN | APVD |
| ES  | 00   | SEE SHEET 1 | -    | -   | -    |

| PART NUMBER | ROWS             | SIGNAL |   |   |   |   |   | POWER |    |    |    |    |    |    |    |    |     |     |     |    |
|-------------|------------------|--------|---|---|---|---|---|-------|----|----|----|----|----|----|----|----|-----|-----|-----|----|
|             |                  | 1      | 2 | 3 | 4 | 5 | 6 | P1    | P2 | P3 | P4 | P5 | P6 | P7 | P8 | P9 | P10 | P11 | P12 |    |
| 6600122-7   | D<br>C<br>B<br>A | J      | J | J | J | J | J | PS    | PS | PS | PS | PS | PS | PS | PS | PS | PS  | PS  | PS  | PS |
|             |                  | K      | K | K | K | K | K |       |    |    |    |    |    |    |    |    |     |     |     |    |
|             |                  | N      | N | N | N | N | N |       |    |    |    |    |    |    |    |    |     |     |     |    |
|             |                  | S      | S | S | S | S | S |       |    |    |    |    |    |    |    |    |     |     |     |    |
| 24S + 12HDP |                  |        |   |   |   |   |   |       |    |    |    |    |    |    |    |    |     |     |     |    |

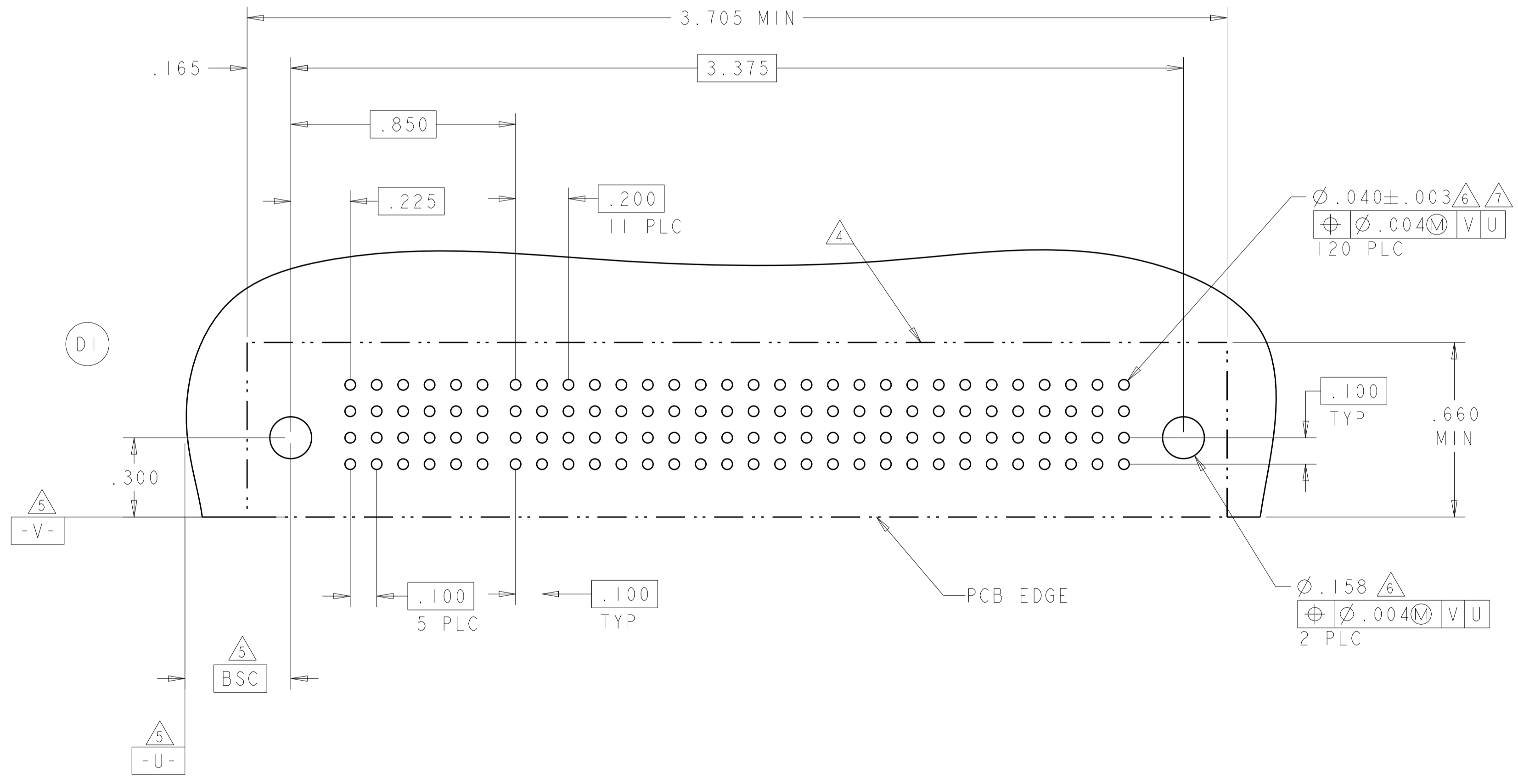
| ASSY PART NUMBER | ROWS             | SIGNAL |   |   |   |   |   | POWER |    |    |    |    |    |    |    |
|------------------|------------------|--------|---|---|---|---|---|-------|----|----|----|----|----|----|----|
|                  |                  | 1      | 2 | 3 | 4 | 5 | 6 | P1    | P2 | P3 | P4 | P5 | P6 | P7 | P8 |
| 6600122-9        | D<br>C<br>B<br>A | J      | J | J | J | J | J | PS    | PS | PS | PS | PS | PS | PS | PS |
|                  |                  | K      | K | K | K | K | K |       |    |    |    |    |    |    |    |
|                  |                  | N      | N | N | N | N | N |       |    |    |    |    |    |    |    |
|                  |                  | S      | S | S | S | S | S |       |    |    |    |    |    |    |    |
| 24S + 8P         |                  |        |   |   |   |   |   |       |    |    |    |    |    |    |    |



|  |  |                             |        |   |
|--|--|-----------------------------|--------|---|
| THIS DRAWING IS A CONTROLLED DOCUMENT. |  | DMN: R. GRZYBOWSKI          | DMAROS | <b>STE</b> TE Connectivity  |
| DIMENSIONS: INCHES                     |  | CHK: M. PERCHERKE           | DMAROS |   |
| TOLERANCES UNLESS OTHERWISE SPECIFIED: |  | APVD: -                     |        | NAME: RIGHT ANGLE SOLDER HEADER ASSY, DUAL BEAM POWER CONTACT MULTI-BEAM XL |
| 0 PLC ±.01                             |  | PRODUCT SPEC: 108-1973      |        |   |
| 1 PLC ±.01                             |  | APPLICATION SPEC: 114-13038 |        | RESTRICTED TO: -  |
| 2 PLC ±.01                             |  | CAGE CODE: A100779          |        |   |
| 3 PLC ±.005                            |  | DRAWING NO: C=6600122       |        |   |
| 4 PLC ±.0020                           |  | SCALE: 4:1                  |        |   |
| ANGLES: ±.2°                           |  | SHEET: 3 OF 5               |        |   |
| FINISH: -                              |  | REV: E1                     |        |   |
| MATERIAL: -                            |  | Customer Drawing            |        |   |

| LOC | DIST | REVISIONS |     |             |      |     |      |
|-----|------|-----------|-----|-------------|------|-----|------|
|     |      | P         | LTH | DESCRIPTION | DATE | DWN | APVD |
| ES  | 00   | -         | -   | SEE SHEET 1 | -    | -   | -    |
|     |      |           |     |             |      |     |      |
|     |      |           |     |             |      |     |      |

| PART NUMBER | ROWS             | SIGNAL |   |   |   |   |   | POWER |    |    |    |    |    |    |    |    |     |     |     |    |  |
|-------------|------------------|--------|---|---|---|---|---|-------|----|----|----|----|----|----|----|----|-----|-----|-----|----|--|
|             |                  | 1      | 2 | 3 | 4 | 5 | 6 | PI1   | P2 | P3 | P4 | P5 | P6 | P7 | P8 | P9 | PI0 | PI1 | PI2 |    |  |
| 1-6600122-0 | D<br>C<br>B<br>A | J      | J | J | J | J | E | PS    | PS | PS | PS | PS | PS | PS | PS | PS | PS  | PS  | PS  | PS |  |
|             |                  | K      | K | K | F | K | K |       |    |    |    |    |    |    |    |    |     |     |     |    |  |
|             |                  | N      | N | N | G | N | N |       |    |    |    |    |    |    |    |    |     |     |     |    |  |
|             |                  | S      | H | S | H | S | S |       |    |    |    |    |    |    |    |    |     |     |     |    |  |
| 24S + 12HDP |                  |        |   |   |   |   |   |       |    |    |    |    |    |    |    |    |     |     |     |    |  |

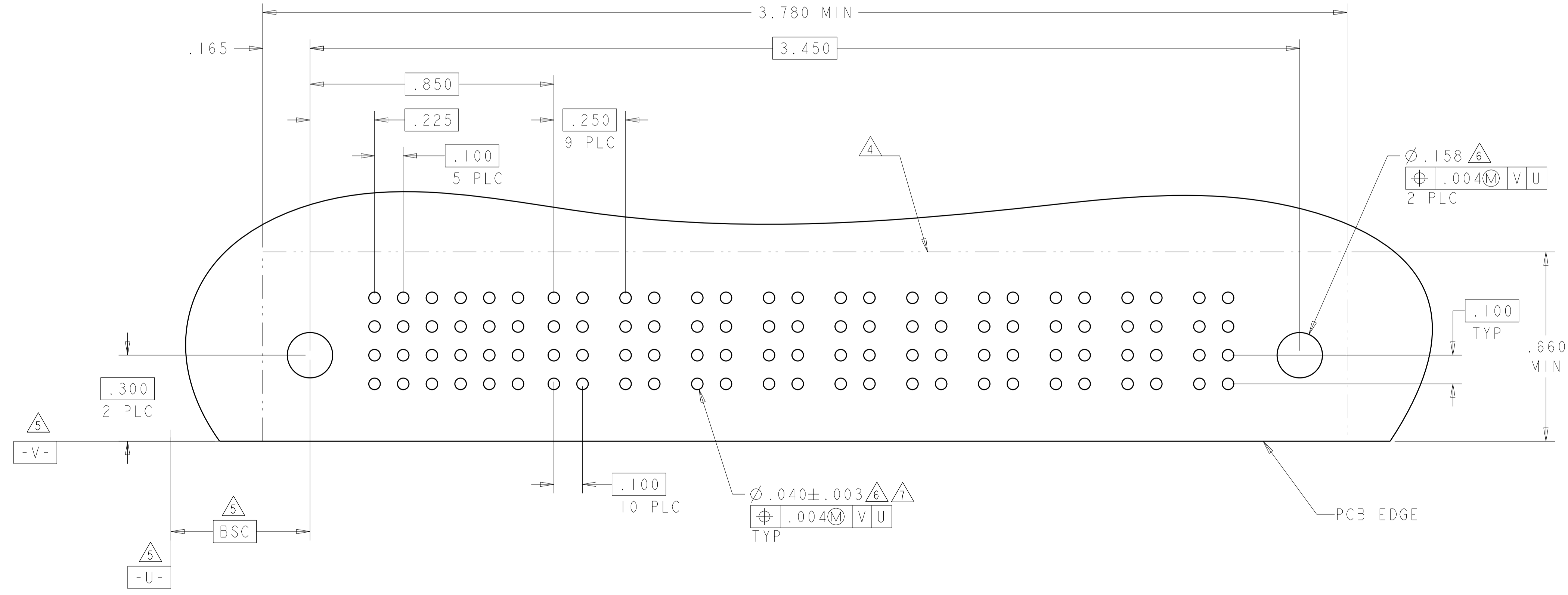


|   |  |   |   |                 |
|---|--|---|---|-----------------|
| THIS DRAWING IS A CONTROLLED DOCUMENT.                              |  | DWN<br>R. GRZYBOWSKI<br>CHK<br>M. PERCHERKE | DTMAROS<br>-IMAROS  | TE Connectivity |
| DIMENSIONS:<br>INCHES   | TOLERANCES UNLESS OTHERWISE SPECIFIED:                               | APVD  | NAME  |                 |
| 0 PLC ±.<br>2 PLC ±.01<br>3 PLC ±.01<br>4 PLC ±.0020<br>ANGLES ±.7° | 0 PLC ±.<br>2 PLC ±.01<br>3 PLC ±.005<br>4 PLC ±.0020<br>ANGLES ±.7° | PRODUCT SPEC<br>108-1973                    | RIGHT ANGLE SOLDER HEADER ASSY,<br>DUAL BEAM POWER CONTACT<br>MULTI-BEAM XL |                 |
| MATERIAL  | FINISH   | APPLICATION SPEC<br>114-13038               | RESTRICTED TO   |                 |
|   |  | WEIGHT                                      | SIZE CAGE CODE DRAWING NO   |                 |
|   |  | Customer Drawing                            | A100779C=6600122  |                 |
|   |  | SCALE 4:1                                   | SHEET 4 OF 5  |                 |
|   |  |   | REV E1  |                 |

| LOC | DIST | REVISIONS |     |             |      |     |      |
|-----|------|-----------|-----|-------------|------|-----|------|
|     |      | P         | LTN | DESCRIPTION | DATE | DWN | APVD |
| ES  | 00   | -         | -   | SEE SHEET 1 | -    | -   | -    |
|     |      |           |     |             |      |     |      |
|     |      |           |     |             |      |     |      |

| PART NUMBER | ROWS             | SIGNAL |   |   |   |   |   | POWER |    |    |    |    |    |    |    |    |     |    |
|-------------|------------------|--------|---|---|---|---|---|-------|----|----|----|----|----|----|----|----|-----|----|
|             |                  | 1      | 2 | 3 | 4 | 5 | 6 | P1    | P2 | P3 | P4 | P5 | P6 | P7 | P8 | P9 | P10 |    |
| 1-6600122-1 | D<br>C<br>B<br>A | J      | J | J | J | J | J | PS    | PS | PS | PS | PS | PS | PS | PS | PS | PS  | PS |
|             |                  | K      | K | K | K | K | K |       |    |    |    |    |    |    |    |    |     |    |
|             |                  | N      | N | N | N | N | N |       |    |    |    |    |    |    |    |    |     |    |
|             |                  | S      | S | S | S | S | S |       |    |    |    |    |    |    |    |    |     |    |
| 24S + 10P   |                  |        |   |   |   |   |   |       |    |    |    |    |    |    |    |    |     |    |

(E1)



|  |  |  |         |   |
|--|--|--|---------|---|
| THIS DRAWING IS A CONTROLLED DOCUMENT. |  | DWN<br>R. GRZYBOWSKI   | DTMAROS | TE Connectivity   |
| DIMENSIONS:<br>INCHES                  |  | CHK<br>M. PERCHERKE  | APVD    |   |
|  |  | TOLERANCES UNLESS OTHERWISE SPECIFIED:<br>0 PLC ±.<br>1 PLC ±.01<br>2 PLC ±.01<br>3 PLC ±.005<br>4 PLC ±.0020<br>ANGLES ±.7° |         | NAME<br>RIGHT ANGLE SOLDER HEADER ASSY,<br>DUAL BEAM POWER CONTACT<br>MULTI-BEAM XL |
| MATERIAL                               |  | PRODUCT SPEC<br>108-1973<br>APPLICATION SPEC<br>114-13038  |         | SIZE<br>A1  |
| FINISH                                 |  | WEIGHT<br>Customer Drawing   |         | CAGE CODE<br>100779   |
|  |  | SCALE<br>4:1   |         | DRAWING NO<br>C=6600122   |
|  |  | SHEET<br>5 OF 5  |         | REV<br>E1   |

# Mouser Electronics

Authorized Distributor

Click to View Pricing, Inventory, Delivery & Lifecycle Information:

[TE Connectivity:](#)

[6600122-9](#)