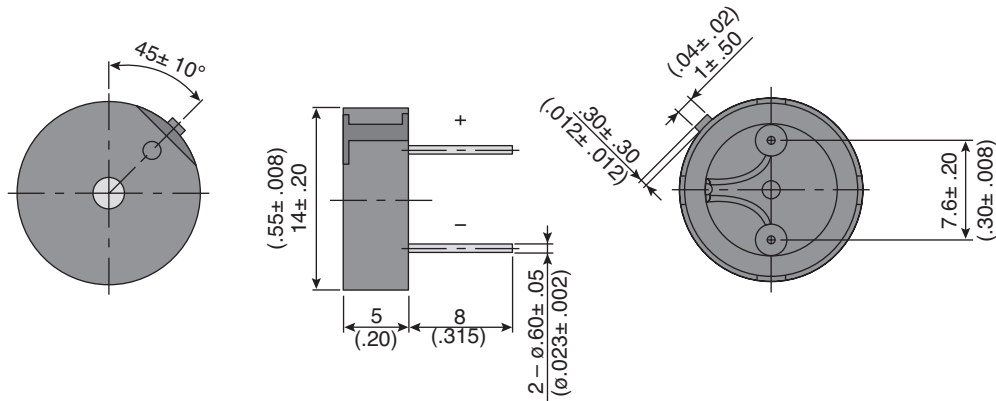


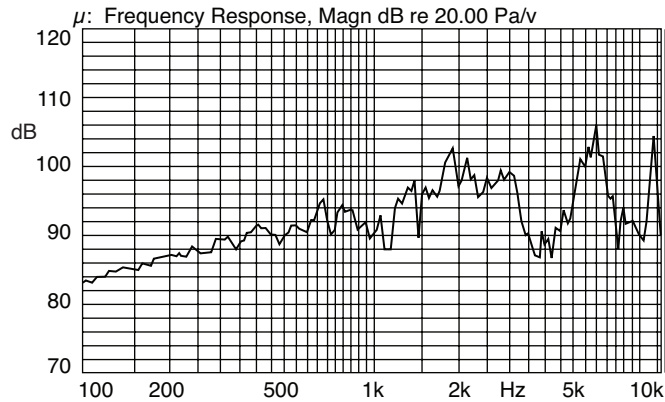
Part Number:

254-EMB145-RO



Magnetic Buzzer

Frequency Response Curve:



KT-400392

Electrical Specifications:

- Rated Voltage: 5.0Vo-p
- Operating Voltage: 4 ~ 6 Vo-p
- Consumption Current: Mean 50mA(Max) Peak 150mA(Max)
- Direct Current Resistance: $40\Omega \pm 6$
- Sound Output: 85dBA(Min). Distance at 10cm
- Rated Frequency: 2000Hz

Mechanical Specifications:

- Operating Temperature: $-20^\circ\text{C} \sim +70^\circ\text{C}$
- Storage Temperature: $-30^\circ\text{C} \sim +80^\circ\text{C}$

Note:

- RoHS Compliant

Mouser Electronics

Authorized Distributor

Click to View Pricing, Inventory, Delivery & Lifecycle Information:

[Kobitone:](#)

[254-EMB145-RO](#)