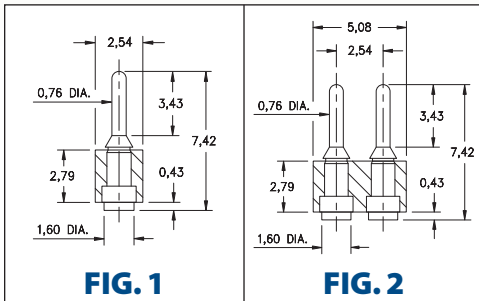


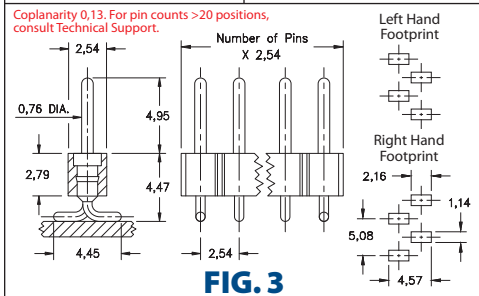
# INTERCONNECTS

**SERIES 349, 449, 800, 801, 802, 803 • 2,54 GRID (0,76 DIA. PINS), SURFACE MOUNT HEADERS & SOCKETS • SINGLE AND DOUBLE ROW STRIPS**

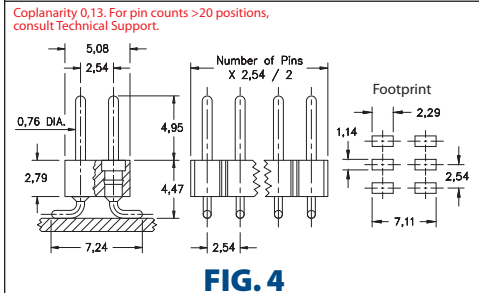


**FIG. 1**

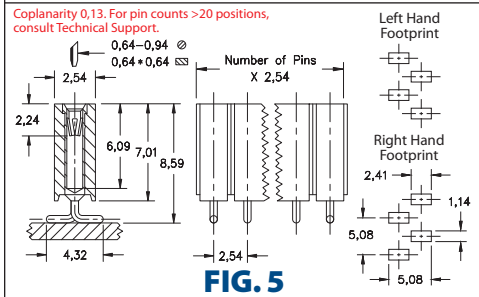
**FIG. 2**



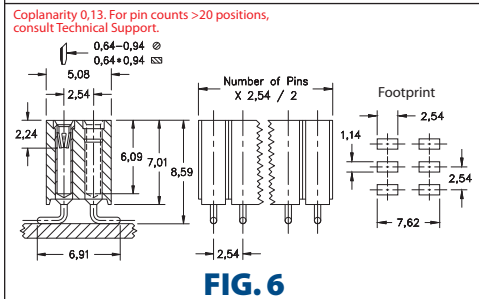
**FIG. 3**



**FIG. 4**

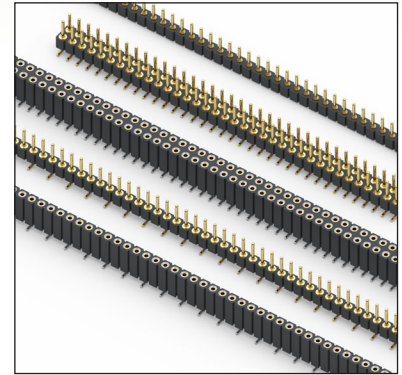


**FIG. 5**



**FIG. 6**

- Series 349 & 449 use MM #4956-1 pins. See page 218 for details
- Series 800 & 802 use MM #7007 pins. See page 215 for details
- Series 801 & 803 use MM #1304 receptacles and accept pin diameters from 0,64 - 0,94 and 0,64 square pins. See page 177 for details
- Receptacles use Hi-Rel, 6-finger BeCu #47 contact rated at 4.5 amps. See page 256 for details
- Insulators are high temperature thermoplastic, suitable for all soldering operations



## ORDERING INFORMATION

<b>FIG. 1</b>	<b>Series 349...560</b>	<b>Single Row Surface Mount Header</b>			
			349-10-1__-00-560000		
		Specify number of pins	02-64		
<b>FIG. 2</b>	<b>Series 449...560</b>	<b>Double Row Surface Mount Header</b>			
			449-10-2__-00-560000		
		Specify number of pins	04-64		
<b>FIG. 3</b>	<b>Series 800...001</b>	<b>Single Row Surface Mount Header</b>			
			800-10-0__-30-001000		
		Specify number of pins	03-64		
<b>FIG. 4</b>	<b>Series 802...001</b>	<b>Double Row Surface Mount Header</b>			
			802-10-0__-30-001000		
		Specify number of pins	04-72		
<b>SPECIFY PLATING CODE XX=</b>			10		
<b>Pin Plating</b>			0,25µm Au		
<b>FIG. 5</b>	<b>Series 801...001</b>	<b>Single Row Surface Mount Socket</b>			
			801-43-0__-30-001000		
		Specify number of pins	03-50		
<b>FIG. 6</b>	<b>Series 803...001</b>	<b>Double Row Surface Mount Socket</b>			
			803-XX-__-30-001000		
		Specify number of pins	004-100		
			<b>XX=Plating Code See Below</b>	<b>For Electrical, Mechanical &amp; Environmental Data, See page 264</b>	
<b>SPECIFY PLATING CODE XX=</b>			93	43	
<b>Sleeve (Pin)</b>			5,08µm Sn/Pb	5,08µm Sn	
<b>Contact (Clip)</b>			0,76µm Au	0,76µm Au	

# Mouser Electronics

Authorized Distributor

Click to View Pricing, Inventory, Delivery & Lifecycle Information:

[Mill-Max:](#)

[803-43-034-30-001000](#) [802-10-006-30-001000](#) [802-10-008-30-001000](#) [803-43-040-30-001000](#) [803-43-044-30-001000](#) [803-43-050-30-001000](#)