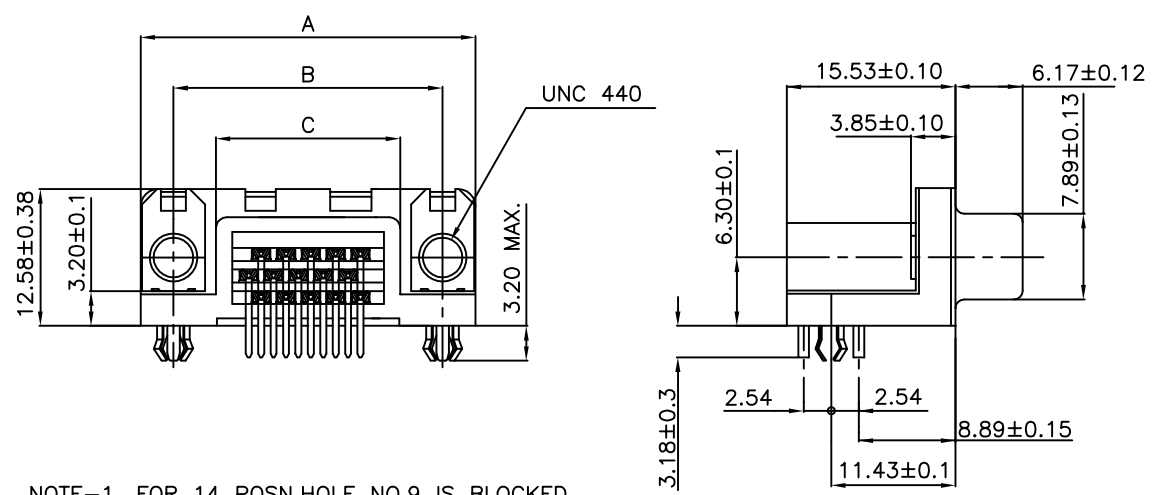
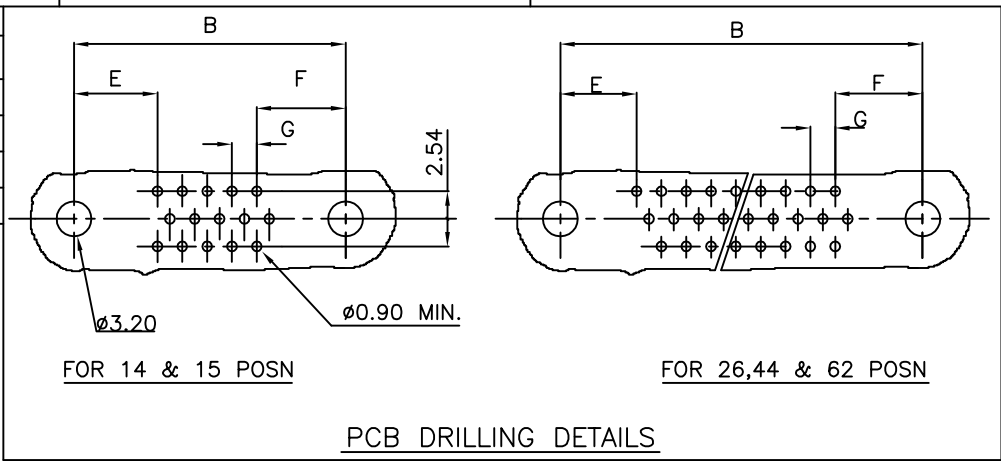
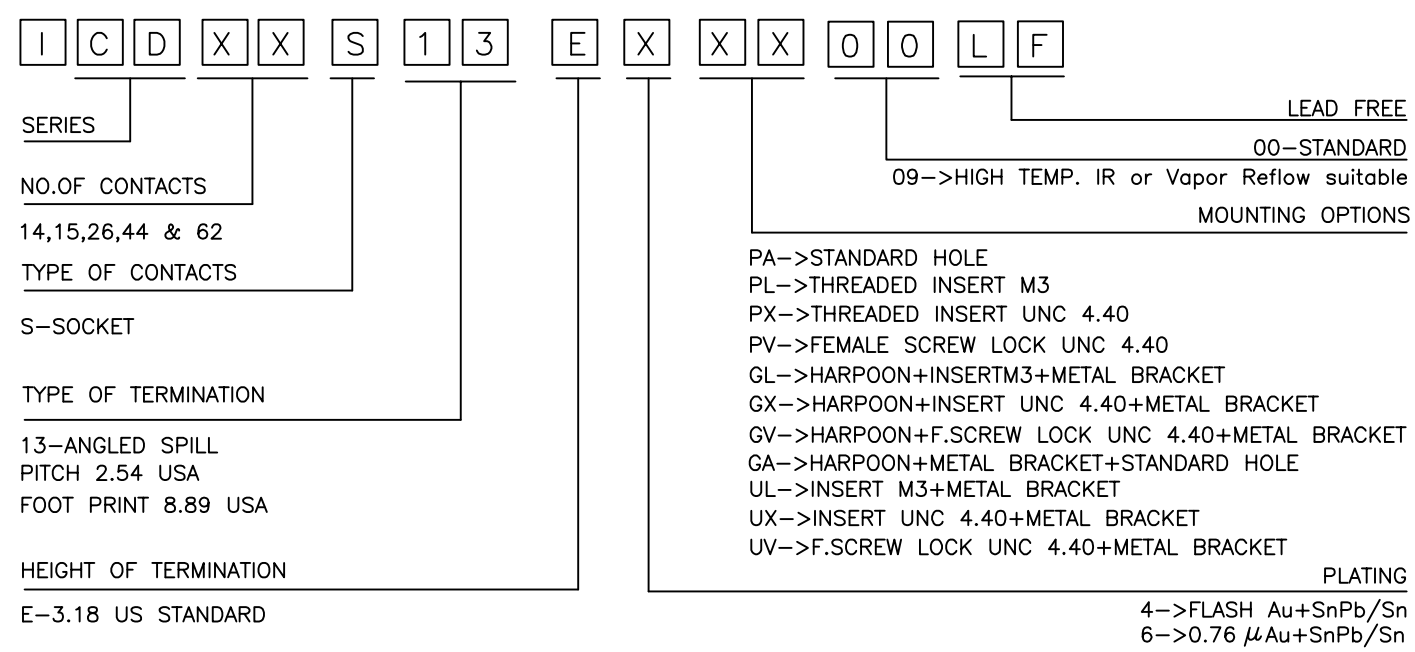


SIZE	DIMENSIONS						
	A±0.38	B±0.12	C±0.10	D $\begin{matrix} +0.25 \\ -0 \end{matrix}$	E	F	G
14/15	30.81	24.99	16.96	16.21	7.68	8.19	2.285
26	39.14	33.32	25.18	24.54	7.02	8.01	2.285
44	53.03	47.04	39.12	38.25	7.01	8.02	2.285
62	69.32	63.50	55.68	54.71	7.03	8.21	2.41



NOTE-1. FOR 14 POSN.HOLE NO.9 IS BLOCKED.

**ORDERING INFORMATION**



"This LF product meets European Union Directives and other country regulations as described in GS-22-008"

The housing will withstand exposure to 260°C peak temperature for 3.5 seconds in a wave solder application with a 1.6mm minimum thick circuit board.

Packaging as per GS-14-920

**MATERIAL**

- SHELL : STEEL TIN/Zinc Cr 3 PLATED.
- INSULATORS : SELF EXTINGUISHING BLACK POLYESTER UL CLASS 94V0 THE HOUSING WILL WITHSTAND EXPOSURE TO 260-265°C IF WE USE PROTECTIVE ADHESIVE (type Kapton or Teflon) OR PROTECTIVE METALLIC DEVICE
- CONTACTS : COPPER ALLOY
- PLATING : GOLD OVER NICKEL
- ACTIVE ZONE : SnPb over Ni
- TERMINATION ZONE : 2 μ MIN.MATTE TIN TOP OVER 1.27 μ MIN.NICKEL UNDER PLATE(ON TERMINATION ZONE)
- FOR LEAD FREE PLATING

- METAL BRACKET : BRASS,TIN /Zinc Cr3 PLATED.
- SCREW LOCK : BRASS,TIN /Zinc Cr3 PLATED.
- HARPOON : BRASS,TIN PLATED.
- CLINCH NUT : BRASS,TIN /Zinc Cr3 PLATED.
- ELECTRICAL DATA
- MAX.CURRENT RATING : 3A
- TEST VOLTAGE : 1000V
- RATED VOLTAGE : 300V
- CONTACT RESISTANCE : <25mΩ
- SHELL RESISTANCE : <5mΩ
- INSULATION RESISTANCE : >5000MΩ
- ENVIRONMENTAL CHARACTERISTICS.
- OPERATING TEMPERATURE RANGE : -55°C +125°C
- MECHANICAL CHARACTERISTICS
- MATING/UNMATING CYCLES (Min.) : 200 MATINGS FOR <0.40μ GOLD PLATING 500 MATINGS FOR >0.75μ GOLD PLATING
- INSERTION/EXTRACTION FORCE PER CONTACTS : 5 N Max./0.3 N Min.

mat'l. code		surface		tolerance		projection		product family	
SEE NOTE 4		ISO 1302 ✓		ISO 406 ISO 1101				COMPACT D	
ltr	ecn no	dr	date	tolerances unless otherwise specified		MM		title	
C	106-0074	GVJ	2006/06/08	angles	linear	0°±1°		C-D A/S FEMALE CONNECTOR	
						scale			
				dr	GEORGE.V.JOSEPH	2004/10/12		dwg no	
				enr	Elias C Thomas	2004/10/12		sheet 1 of 1	
				chr	GEORGE.V.JOSEPH	2006/06/23		size	
				appd	K_V_SIVADAS	2006/06/23		A3	
sheet index		revision sheet		C		1		type	
								Product Customer Drawing	

Copyright FCI  
 FCconnect.com  
 form: A3

# Mouser Electronics

Authorized Distributor

Click to View Pricing, Inventory, Delivery & Lifecycle Information:

## [FCI / Amphenol:](#)

[ICD15S13E6GX00LF](#) [ICD15S13E4GX00LF](#) [ICD15S13E6GL00LF](#) [ICD26S13E4GL00LF](#) [ICD26S13E4GV00LF](#)  
[ICD26S13E4GX00LF](#) [ICD26S13E6GL00LF](#) [ICD26S13E6GV00LF](#) [ICD26S13E6GX00LF](#) [ICD44S13E4GL00LF](#)  
[ICD44S13E4GV00LF](#) [ICD44S13E4GX00LF](#) [ICD44S13E6GL00LF](#) [ICD44S13E6GV00LF](#) [ICD44S13E6GX00LF](#)  
[ICD15S13E4GL00LF](#) [ICD15S13E6GV09LF](#)